

News Alert

Now available: 13.000 security caps

APEM France is ready to announce the release of its first security caps dedicated to a pushbutton series: the 13.000 series

The function of this accessory is to prevent accidental actuations of the pushbutton. The user has to raise the spring-loaded switch cover with one hand and keep it raised while he actuates the switch.

Our customer, a plane manufacturer, required that the cover return to the protecting position when released. This function is carried out by a spring.

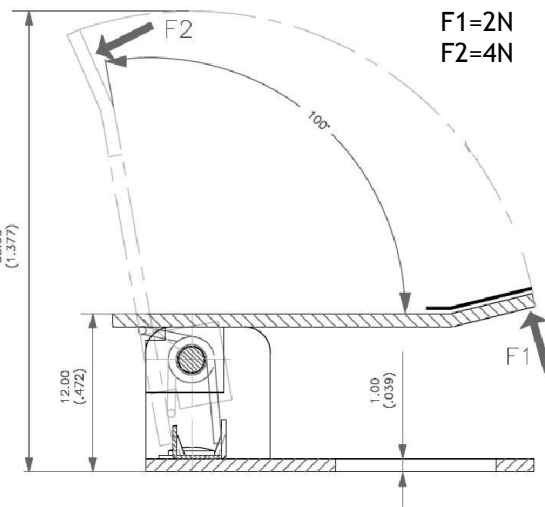
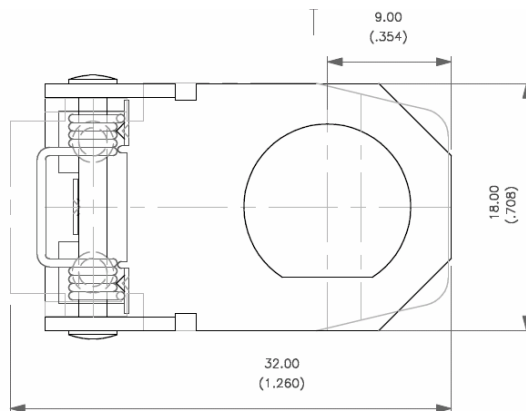
These security caps are very rugged full-metal products. They are compatible with professional quick-break momentary Ø11,9 (15/32) pushbuttons (13,000 series), plunger 4 only. Due to the construction, it isn't possible to operate the switch if an excessive force is applied to the cap.

These 13,000 security caps are easily added to an installed switch by simply unscrewing then replacing the switch face nut.



This accessory is currently available in:

- a red cover with a matt white lip
- a black cover with a matt white lip



Suggested end-user price: comparable to series 90

Additional informations: christophe.moreau@apem.fr – Switch Product Manager

