

Single phase mains supply checker



- ▶ Monitors appliance and mains supply
- ▶ Direct replacement for Neon indicator
- ▶ Equipment safety indication
- ▶ Checks for swapped connections
- ▶ Checks for missing connections
- ▶ Green LED indicates normal operation
- ▶ Steady Red LED indicates connection fault
- ▶ Flashing Red LED indicates missing connection
- ▶ Live, Neutral and Earth connections
- ▶ Convenient snap-in design
- ▶ Fast-on terminals
- ▶ Bezel size 32mm x 14mm

230V \pm 20% 50Hz. 115Vac 60Hz available.
Less than 1 watt (power consumption)

UL Pending

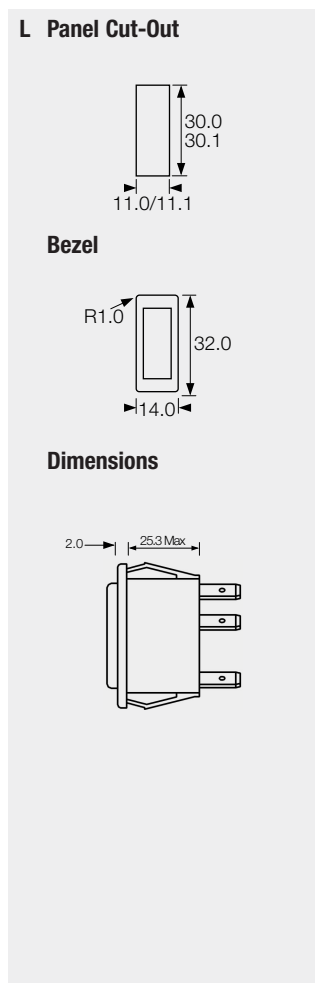
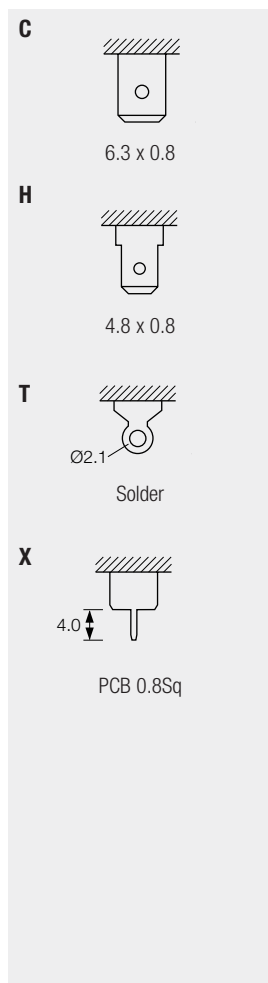


CE Mark

RoHS RoHS compliant



▶ TERMINAL	▶ BODY & DIMENSIONS	▶ SPECIFICATION
-------------------	--------------------------------	------------------------



Dimensions	Bezel 32.0mm x 14.0mm Panel cut-out 11.0/11.1mm x 30.0/30.1mm 0.75mm to 2.5mm
Panel thickness	
Body	Nylon 6.6, matt finish, black colour is standard
Lens	Clear Polycarbonate, Softline matt finish
Terminals	Copper alloy, Silver plated
Flame retardancy	UL94V2
RoHS compliant	Yes
Operating supply	230V \pm 20% 50Hz. 115V 60Hz available
Power consumption	Less than 1 Watt
Operating conditions (body)	-20°C to +70°C (-4°F to 158°F) 0 to 95% RH (non-condensing)
Electromagnetic Compatibility	Compliant with directives 89/336/EEC & 92/31/EEC
EMC Immunity	EN 55014-2:1997 Household appliances EN 61000-6-2:2005 Industrial Environments, 10 V/m EN 61000-4-2:1995 Electrostatic Discharges (ESD) EN 61000-4-3:2002 RF Electromagnetic fields EN 61000-4-4:2004 Fast Transients & Bursts EN 61000-4-5:1995 Surges EN 61000-4-6:1996 Conducted disturbances EN 61000-4-11:2004 Voltage dips & interruptions
EMC Emissions	EN 55014-1:2001 Household appliances EN 55022 Class B:1998 Domestic environments
Approvals	UL Pending CE Mark

APPLICATIONS

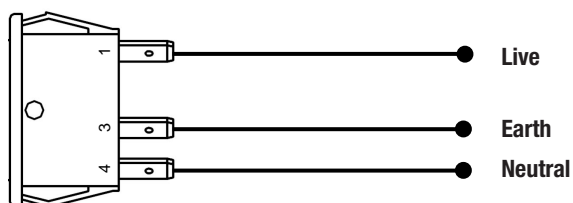
- ▶ Portable appliances
- ▶ Site equipment
- ▶ Power tools
- ▶ Commercial kitchens
- ▶ Stainless steel appliances
- ▶ Audio equipment
- ▶ Consumer units
- ▶ Extension cables/reels
- ▶ Garden equipment

INDICATIONS

The smart indicator can detect and display the following fault conditions:

Terminal 1	Terminal 2	Terminal 3	Fault	LED Indication
L	N	E	Normal	Green
N	L	E	L/N Swapped	Red
E	N	L	L/E Swapped	Red
E	L	N	Wrong sequence	Red
N	E	L	Wrong sequence	Red
L	-	E	Neutral missing	Flashing Red
L	N	-	Earth missing	Flashing Red

CONNECTIONS



PART NUMBER

1431AL

Specify Terminal Type: C, H, T, X
Specify Model Code: 1431AL
Specify Supply Voltage: 115Vac, 230Vac
Specify LED Colour: Red/Green, Red/Blue