

1430 Smart indicator series

Temperature monitor



- ▶ Monitors refrigeration temperatures are within safe limits
- ▶ Monitors correct equipment operation
- ▶ Factory programmed window limits
- ▶ Direct replacement for Neon indicator
- ▶ Thermistor temperature sensor
- ▶ Blue LED indicates normal temperature
- ▶ Flashing Red LED indicates too hot
- ▶ Flashing Blue LED indicates too cool
- ▶ Convenient snap-in design
- ▶ Choice of connection terminals
- ▶ Bezel size 32 x 14mm

230Vac \pm 20% 50Hz. 115Vac, 24Vdc & 12Vdc available
Less than 1 watt (power consumption)

UL Pending

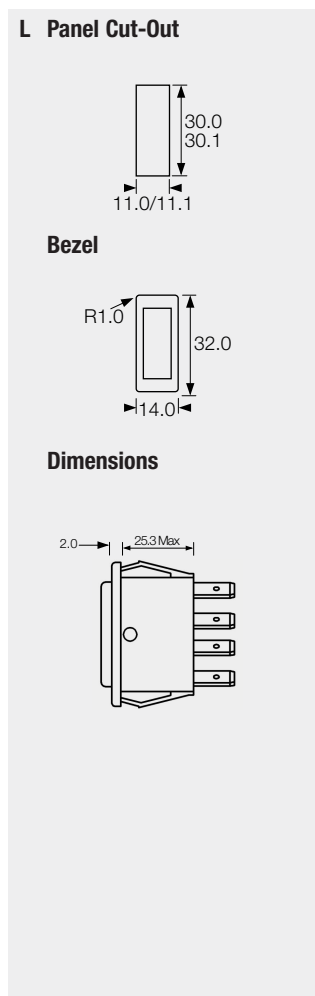
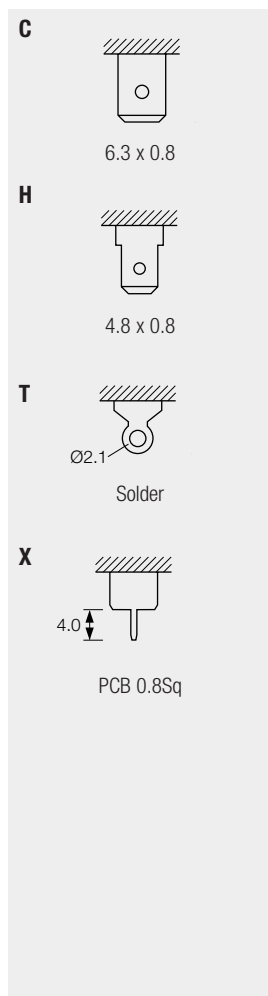


CE Mark

RoHS RoHS compliant

C 1433 A L - - -
 TERMINAL FUNCTION SOFTLINE LENS BODY VOLTAGE, COLOUR, TEMPERATURES

▶ TERMINAL	▶ BODY & DIMENSIONS	▶ SPECIFICATION	
-------------------	--------------------------------	------------------------	--



Dimensions	Bezel 32.0mm x 14.0mm Panel cut-out 11.0/11.1mm x 30.0/30.1mm 0.75mm to 2.5mm
Panel thickness	
Body	Nylon 6.6, matt finish, black colour is standard
Lens	Clear Polycarbonate, Softline matt finish
Terminals	Copper alloy, Silver plated
Flame retardancy	UL94V2
RoHS compliant	Yes
Operating supply	230Vac \pm 20% 50Hz. 115Vac, 24Vdc & 12Vdc available
Power consumption	Less than 1 Watt
Operating conditions (body)	-20°C to +70°C (-4°F to 158°F) 0 to 95% RH (non-condensing)
Electromagnetic Compatibility	Compliant with directives 89/336/EEC & 92/31/EEC
EMC Immunity	EN 55014-2:1997 Household appliances EN 61000-6-2:2005 Industrial Environments, 10 V/m EN 61000-4-2:1995 Electrostatic Discharges (ESD) EN 61000-4-3:2002 RF Electromagnetic fields EN 61000-4-4:2004 Fast Transients & Bursts EN 61000-4-5:1995 Surges EN 61000-4-6:1996 Conducted disturbances EN 61000-4-11:2004 Voltage dips & interruptions
EMC Emissions	EN 55014-1:2001 Household appliances EN 55022 Class B:1998 Domestic environments
Measurement range	-30°C to +80°C (-22°F to +176°F)
Measurement accuracy	\pm 1.0°C (\pm 1.8°F)
Temperature sensor	NTC Thermistor, sealed sensor, cable length 1m
Approvals	UL Pending CE Mark

APPLICATIONS

- ▶ Deep freeze monitoring - visual check of correct temperature
- ▶ Cold storage monitor - visual check of correct temperature
- ▶ Refrigeration monitoring - visual check of correct temperature
- ▶ Chiller monitor - visual check of correct temperature
- ▶ Air conditioning - status indicator
- ▶ Equipment check - without having to know exact temperature

INDICATIONS

Upper and lower temperature limits can be factory programmed to suit the application.

The smart indicator operates like a standard neon indicator, giving visible status indication for the appliance or application. Normal operation will show continuous Blue LED illumination (contact factory for other colours) while the monitored temperature is within the 'safe' range between lower and upper limits.

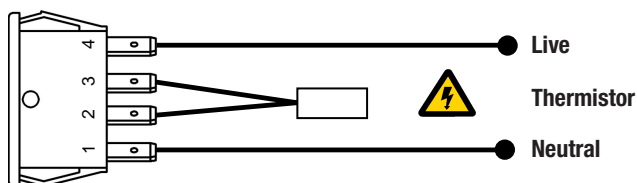
When the measured temperature falls outside of the 'safe' range, the LED illumination will start to flash or change colour. (contact factory for colour options).

Example temperatures (Freezer):

Above -14°C	Too warm (Flashing Red LED)
Between -14°C and -22°C	OK (Blue LED)
Below -22°C	Too cold (Flashing Blue LED)

Optional steady/flashing LED and colour combinations available – contact factory.

CONNECTIONS



PART NUMBER

1433AL

Specify Terminal Type:	C, H, T, X
Specify Model Code:	1433AL
Specify Supply Voltage:	230Vac, 115Vac, 24Vdc, 12Vdc
Specify LED Colour:	Red/Green, Red/Blue
Specify Lower temperature limit:	-30°C to +80°C (-22°F +176°F)
Specify Upper temperature limit:	-30°C to +80°C (-22°F +176°F)