

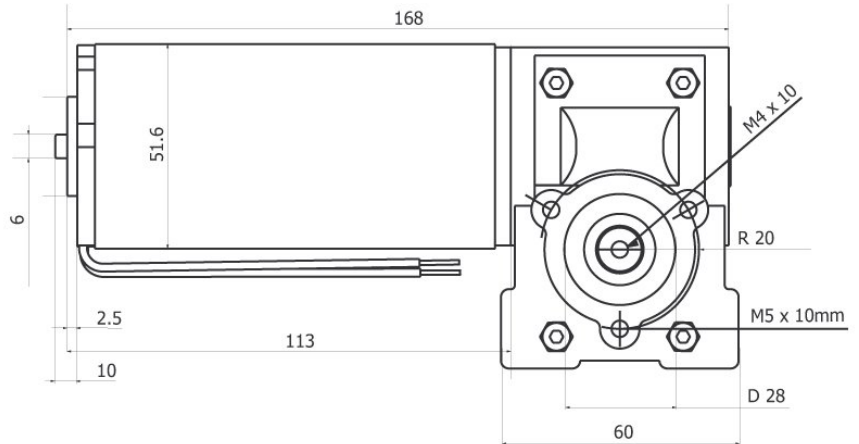
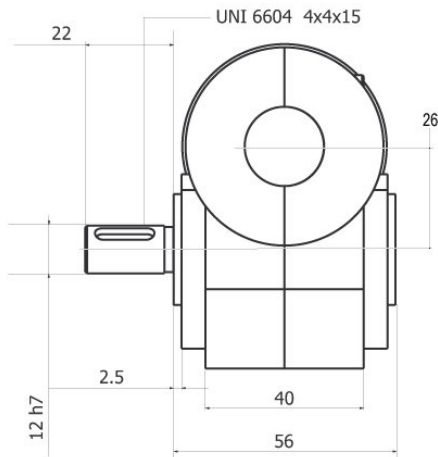
Gear motors with worm gear

MVSF 752/26

24 Vdc 45 W | 26

ERMEC

Distribución de componentes eléctricos y electrónicos



Type	Ratio	* R.P.M. no load min ⁻¹	* R.P.M. S 1 min ⁻¹	S1 Torque Nm	* R.P.M. S2 min ⁻¹	S2 Torque Nm	Max Torque Nm
752 26 1/10	10,5	190	165	1,2	118	2	4,5
752 26 1/15	15,5	130	115	1,6	75	2,8	5,8
752 26 1/20	21	95	78	2,4	57	3,5	7,6
752 26 1/30	31	65	51	3,2	37	5	7,5
752 26 1/40	39	50	38	3,6	28	8	13,3



Gear motor with worm screw and standard motor Ø 52 24 Vdc 2000 RPM loadness 45W.

Driving shaft mounted with on a bearing and bushing. Outlet shaft supported by two bearing with oil splash guard on outlet side.

Is possible to have magnetic encoder 4 pulse for turne 2 channel (total L 193 mm)

*The rotation speed can change of +or- 10%.

Connecting 2 wire 0,75 x 200 mm.

The S1 load test was made using a 1,8 A corrent in the air with an incese of temperature of 70°.

The S2 load test was made using 2,9 A corrent in the air with a timing ON and 5` OFF wit an increase of temperature of 80° max.

The starting corrent is 6A and cannot be maintained for more than 2". Max forces wich may act on outlet shaft Axial 25 Kg, Radial 40 Kg

Right-type

For further informations please contact our technical department

ERMEC
Distribución de componentes eléctricos y electrónicos

ERMEC Barcelona
c/Francesc Teixidó, 22
E-08916 Badalona
Spain

ERMEC Madrid
c/Sagasta,8,1ª Pl.
E-28004 Madrid
Spain

ERMEC Portugal
portugal@ermec.com

Tel.: (+34)902.450.160
Fax: (+34)902.433.088
info@ermec.com
www.ermec.com