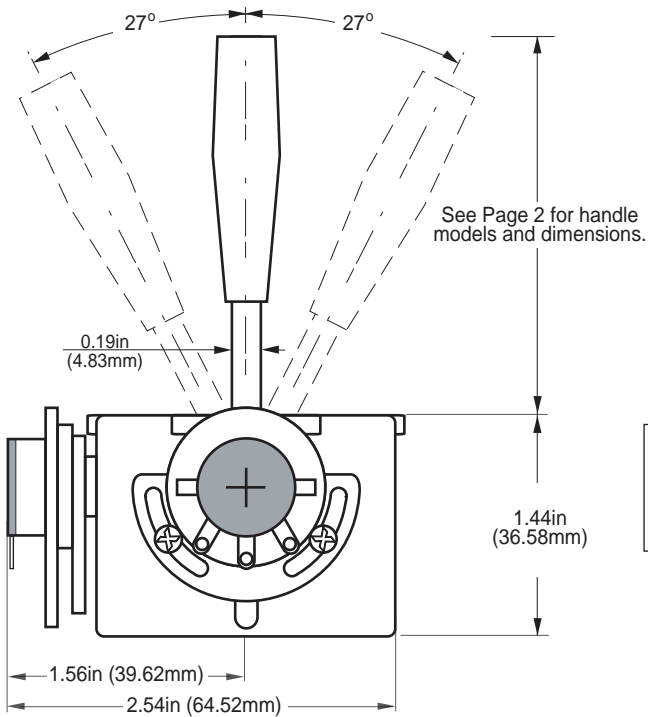
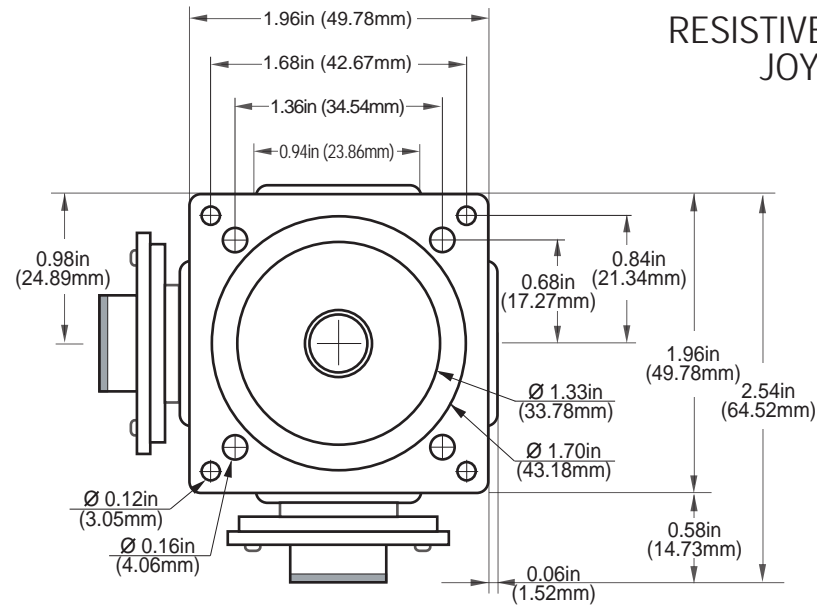
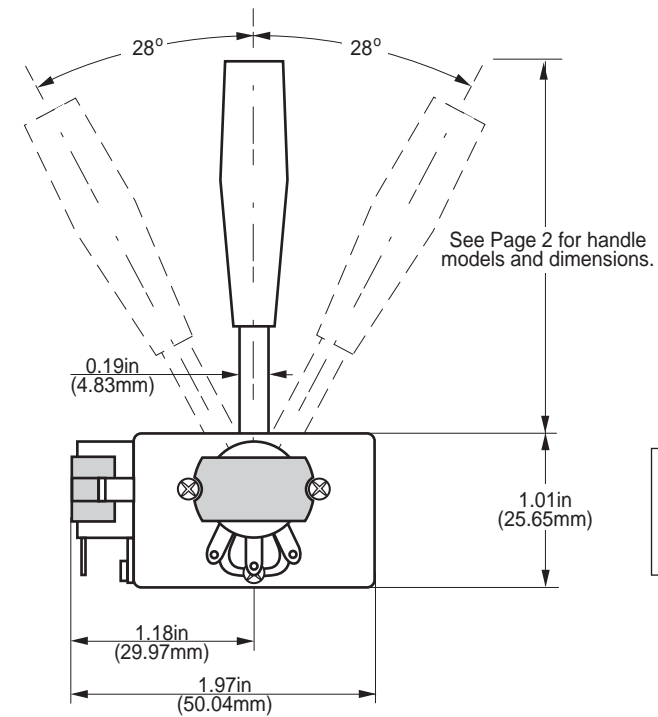
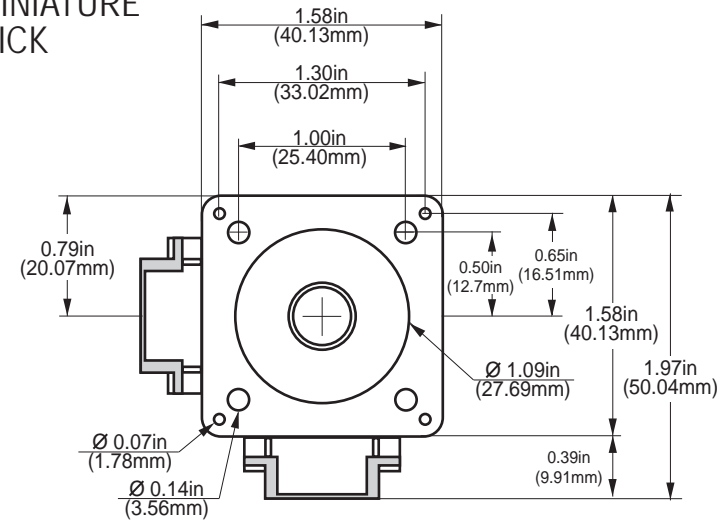


RESISTIVE STANDARD JOYSTICK



See Page 2 for handle models and dimensions.

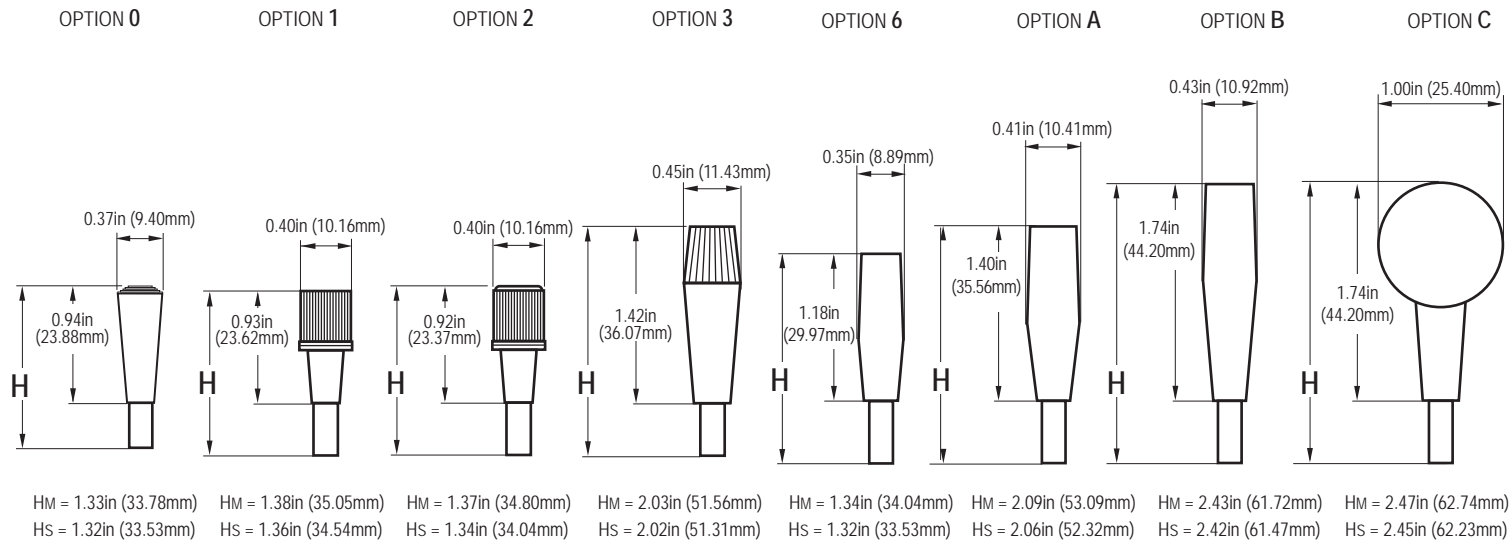
RESISTIVE MINIATURE JOYSTICK



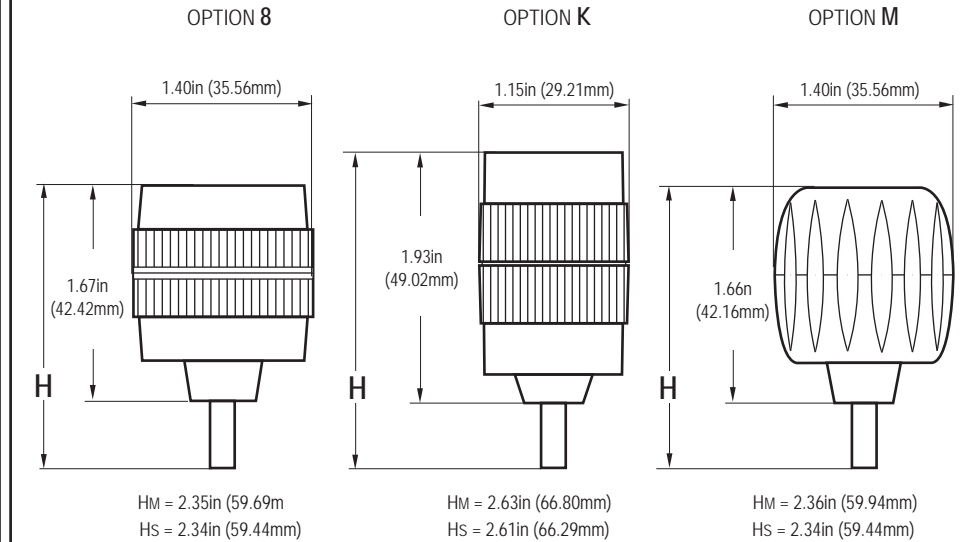
See Page 2 for handle models and dimensions.

RESISTIVE JOYSTICKS HANDLES

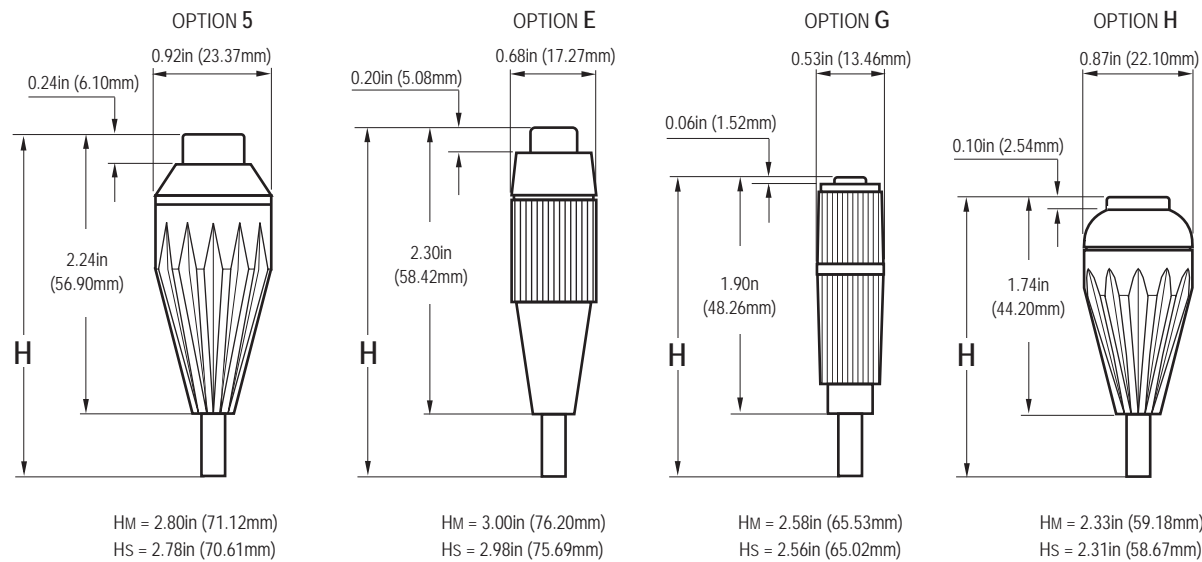
MODEL 100



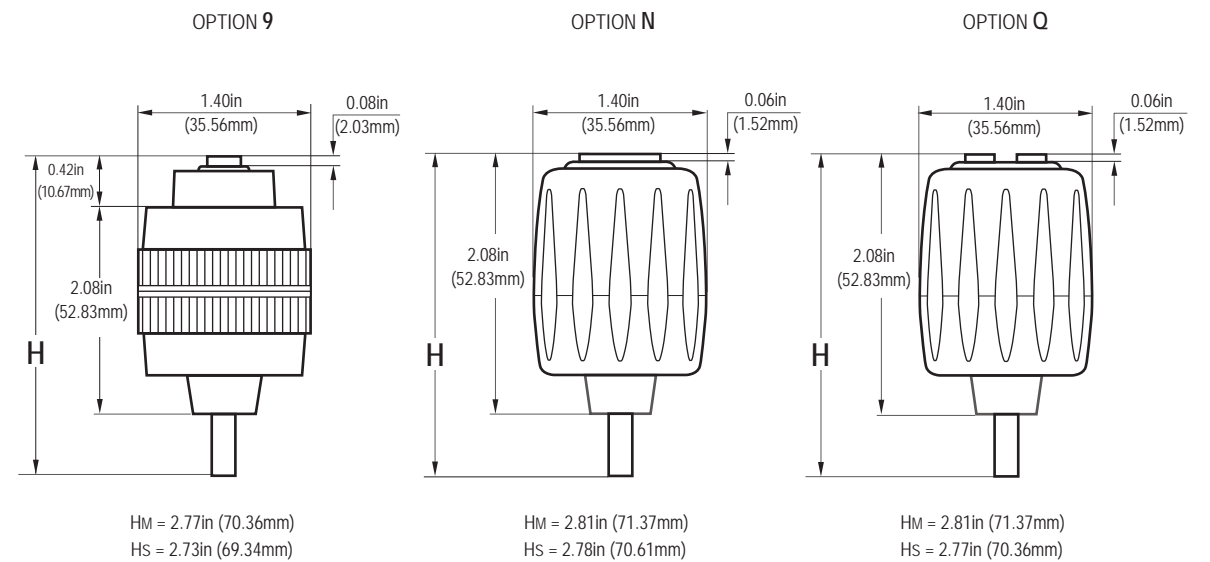
MODEL 300



MODEL 200



MODEL 400



NOTES: HM = height above the housing dimension (H) for **Miniature** Joysticks
 Hs = height above the housing dimension (H) for **Standard** Joysticks
 The drawings are not to scale, but are proportional.