

10600 series

ermec@ermec.com

Professional toggle switches - threaded bushing Ø 10 (.393)

Distinctive features and specifications

☐ CECC approved

ELECTRICAL SPECIFICATIONS

- Max. current/voltage rating with resistive load :
2A 220VAC - 3A 110VAC - 3A 24VDC
- Minimum load : 100µA 10mV
- Initial contact resistance : 10 mΩ max.
- Insulation resistance : 1.000 MΩ min. at 500VDC
- Dielectric strength :
1.000 Vrms 50 Hz min. between terminals of the same pole
2.000 Vrms 50 Hz min. between terminals and frame
2.000 Vrms 50 Hz min. between terminals of adjacent poles
- Electrical life : 50.000 cycles

MATERIALS

- Case : diallylphthalate (DAP) or high temperature plastic material (UL94-V0)
- Actuator : brass, chrome plated
- Bushing : brass, nickel plated
- Housing : stainless steel
- Contacts :
 - silver
 - silver, gold plated
- Terminal seal : epoxy

HOMOLOGATION



CECC 96201-007

Availability : consult factory for details of approved models.

Marking : to order switches marked CECC, add "CECC" to model number.

GENERAL SPECIFICATIONS

- Torque : 1,50 Nm (1.106 Ft.lb) max. applied to nut
- Max. panel thickness :
4 mm (.157)
- Operating temperature :
-40°C to +85°C

ABOUT THIS SERIES

Complete part numbers are shown on the following pages.

Dimensions : first dimensions are in mm while inches are shown as bracketed numbers.



Sealing boots are available to protect the switches against dust and water. They are presented in section H.



Mounting accessories : standard hardware supplied with all models : 1 knurled cap nut, 1 hex nut, 1 locking ring and 1 lockwasher. They are presented in section I.



Packaging unit : 25 pieces.

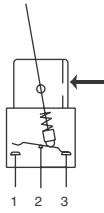


www.ermec.com

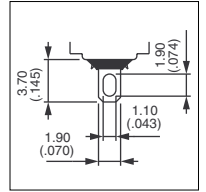
10600 series

Professional toggle switches - threaded bushing $\varnothing 10 (.393)$

→ Keyway



- 2 and 3 positions
- 1 and 2 pole configurations
- Available with matt black finish : consult factory for model number



2 positions - single pole

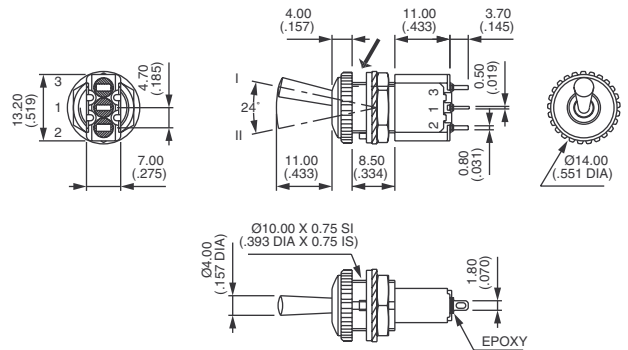


Silver contacts
106362103
106322103

Gold plated silver contacts
106361175
106321175

II	I
1-3	1-2
ON - ON	ON
ON - MOM	MOM
ON - ON	ON
ON - MOM	MOM

→ Keyway



2 positions - double pole

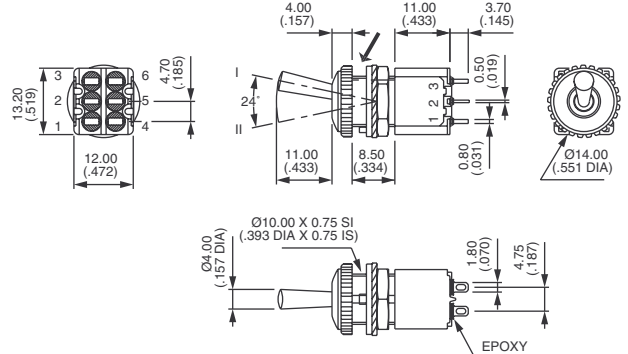


Silver contacts
106462103
106422103

Gold plated silver contacts
106461175
106421175

II	I
2-3	2-1
5-6	5-4
ON - ON	ON
ON - MOM	MOM
ON - ON	ON
ON - MOM	MOM

→ Keyway



3 positions - single pole

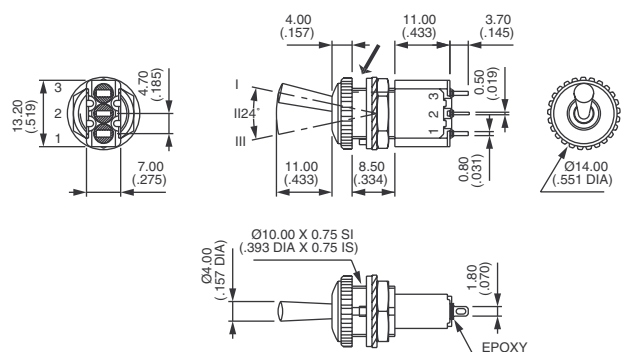


Silver contacts
106392103
106372103
106382103

Gold plated silver contacts
106391175
106371175
106381175

III	II	I
2-3		2-1
ON	OFF	ON
MOM	OFF	MOM
ON	OFF	MOM
ON	OFF	ON
MOM	OFF	MOM
ON	OFF	MOM

→ Keyway



10600 series

ermec@ermec.com

Professional toggle switches - threaded bushing Ø 10 (.393)

3 positions - double pole

III	II	I	
2-3		2-1	→ Keyway
5-6		5-4	

Silver contacts

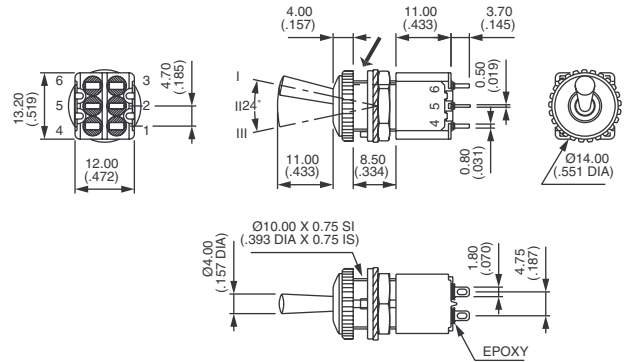
106492103	ON	OFF	ON
106472103	MOM	OFF	MOM
106482103	ON	OFF	MOM

106440886*	ON	ON	ON
		(2-3)	
		(5-4)	

Gold plated silver contacts

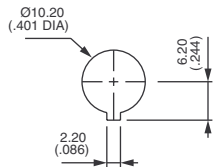
106491175	ON	OFF	ON
106471175	MOM	OFF	MOM
106481175	ON	OFF	MOM

106440944*	ON	ON	ON
		(2-3)	
		(5-4)	



* Function 4 : SP in DP case. See Positions and Connections type TH, end of catalogue. Jumper between terminals 2 and 4 to be wired by the user.

PANEL CUT-OUT



www.ermec.com

11000 and 12000 series

Professional toggle switches

Distinctive features



Applications

These switches are specially manufactured for defence, avionics, space and telecommunications applications.

Approvals and lists



- QPL (in Europe) and MUAHAG listed
- meeting the requirements of MIL standard (MIL 3950)



Robust switches for high specification environments

Toggle action on 2-position models giving smooth mechanical operation

Plastic material with high insulation resistance

Several front panel sealing options

Several locking lever options (12000 series)

Bright chrome, satin chrome or matt black finish



www.ermec.com