

1600 and 1700 series

Toggle switches - metal lever

Distinctive features and specifications



- Reduced behind-panel space requirement (models with side terminals)
- Optional insulated lever

ELECTRICAL SPECIFICATIONS

- Max. current/voltage rating with resistive load : 4A 30VDC
- Initial contact resistance : 10 mΩ max. at 1A 2VDC
- Insulation resistance : 1.000 MΩ min. at 500VDC
- Dielectric strength :
 - 2.000 Vrms 50 Hz min. between terminals
 - 2.000 Vrms 50 Hz min. between poles and between terminals and lever
- Electrical life : 10.000 cycles at full load

MATERIALS

- Case : phenolic resin
- Actuator :
 - 1600 models : brass nickel plated
 - 1700 models : polyamide
- Bushing : brass, nickel plated
- Contacts : phosphor bronze and brass, silver plated.

GENERAL SPECIFICATIONS

- Torque : 1,50 Nm (1.10 Ft.lb) max. applied to nut
- Panel thickness : 5 mm (.196) max.
- Operating temperature : -20°C to +55°C

ABOUT THIS SERIES

Dimensions : first dimensions are in mm while inches are shown as bracketted numbers.



Sealing boots are available on models 1600 to protect the switches against dust and water. They are presented in section H.



Mounting accessories : standard hardware supplied with all models : 1 hex nut U42 and 1 knurled nut U411. They are presented in section I.



Packaging unit : 25 or 50 pieces depending on model.



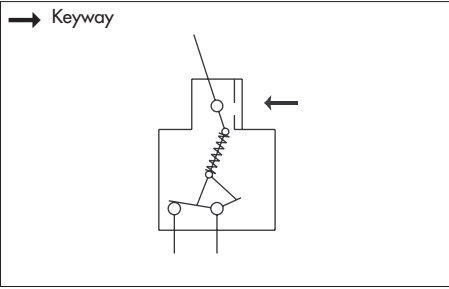
www.ermec.com

1600 and 1700 series @ermec.com

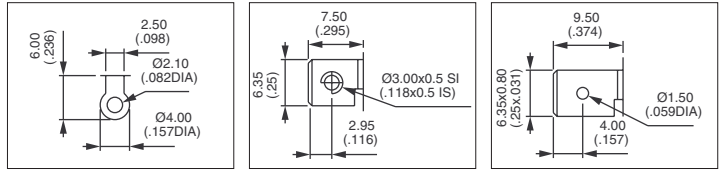


Toggle switches - metal lever

Solder lug or screw terminals



- Wiping contacts
- Single pole configurations

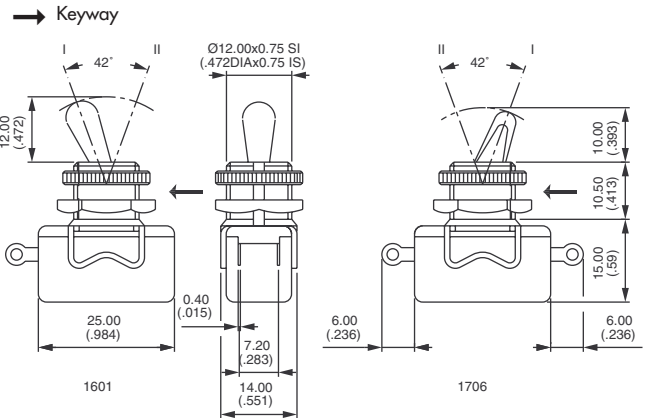


Horizontal solder lug terminals



Metal lever	Insulated black lever
1601	1701
1606	1706

I	-	II
ON	-	OFF
ON	-	ON

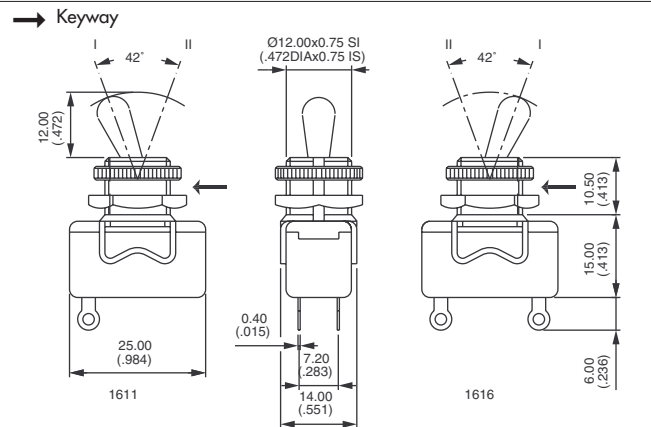


Metal lever - vertical solder lug terminals



1611	1616
-------------	-------------

I	-	II
ON	-	OFF
ON	-	ON

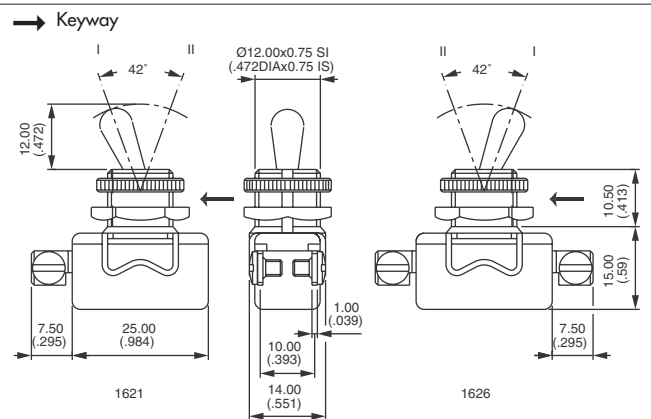


Metal lever - horizontal screw terminals



1621	1626
-------------	-------------

I	-	II
ON	-	OFF
ON	-	ON





1600 and 1700 series

Toggle switches - metal lever

Quick-connect terminals

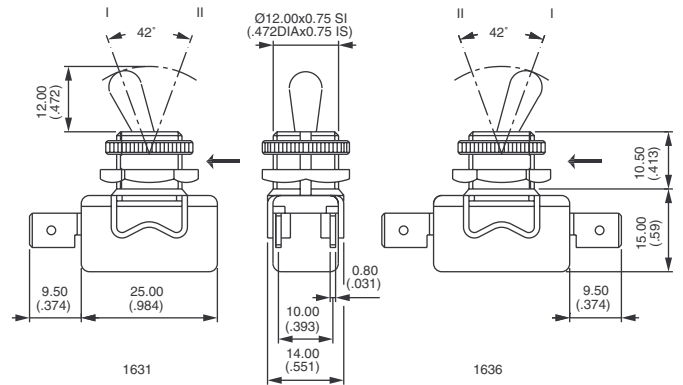
Metal lever - horizontal quick-connect terminals



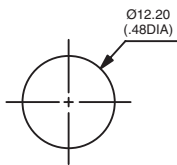
1631
1636

I
ON - OFF
ON - ON

→ Keyway



PANEL CUT-OUT



www.ermec.com