

18000 series

Snap-action momentary pushbutton switches

Distinctive features and specifications



- Panel and PC mount models
- Snap-in panel mounting version
- Tactile feedback

ELECTRICAL SPECIFICATIONS

- Max. current/voltage rating with resistive load :
 - gold plated brass contacts : 100mA - 30VDC
 - gold plated silver contacts : 1A 125VAC, 1A 30VDC
- Initial contact resistance : 50 mΩ max.
- Insulation resistance : 1.000 MΩ min.
- Dielectric strength : 1.000 Vrms 50 Hz min.
- Electrical life : 60.000 cycles at full load

Models for high currents : see 18635A and 18645A at the end of the series.

MATERIALS

- Case : PBT
- Actuator : polyamide, glass filled
- Bushing : brass, nickel plated
- Housing : stainless steel
- Bracket : tin plated steel
- Contacts
 - AD** : silver, gold plated
 - CD** : brass, gold plated
- Terminal seal : epoxy

GENERAL SPECIFICATIONS

- Total travel : 0,5 mm (.019)
- Torque : 1,25 Nm (.922 Ft.lb) max. applied to nut
- Operating temperature : -30°C to +65°C
- Soldering : 300°C, 3 sec. max.



www.ermec.com

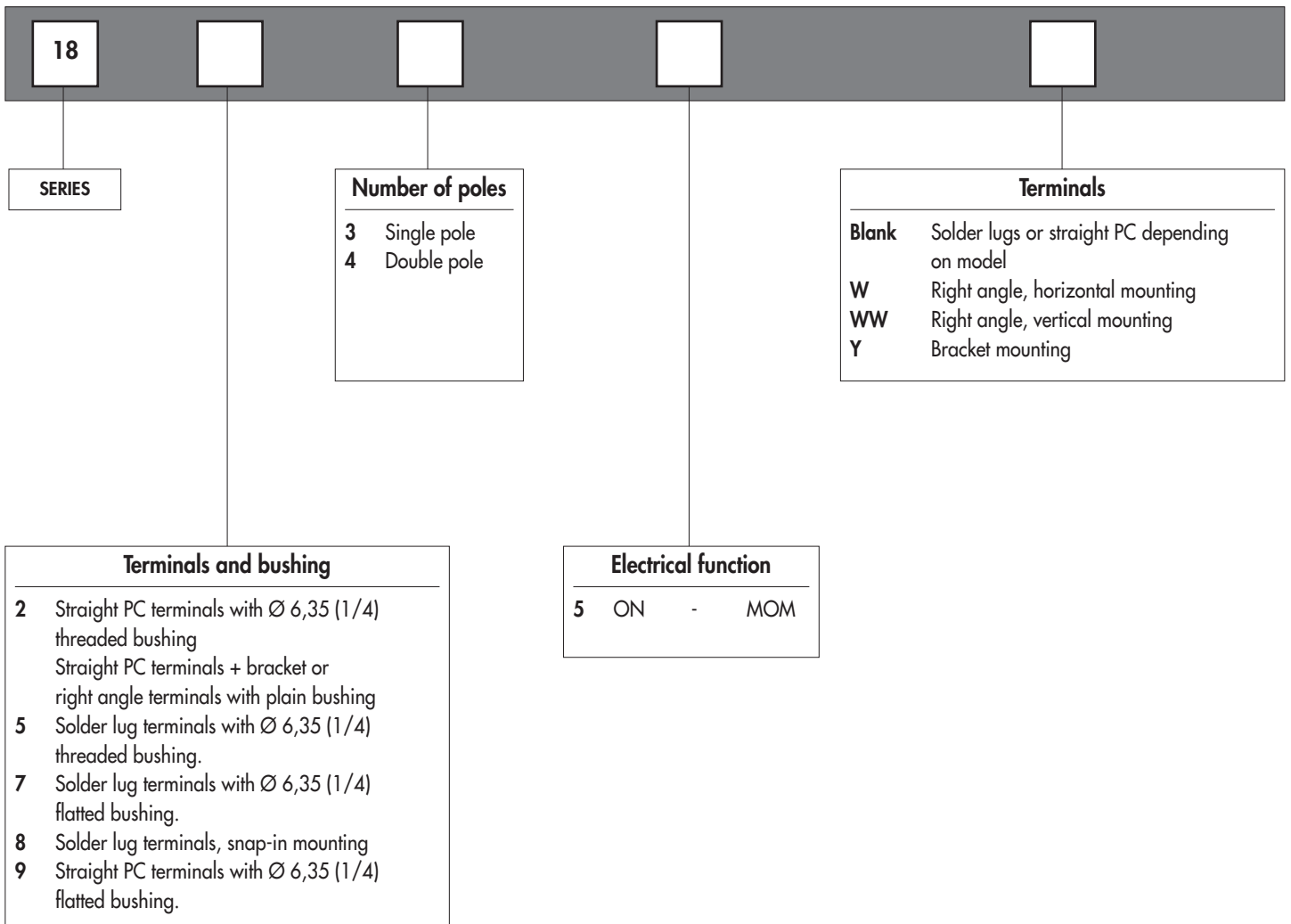
18000 series

ermec@ermec.com



Snap-action momentary pushbutton switches

Overview



B

ABOUT THIS SERIES

On the following pages, you will find successively :
 - model structure of switches
 - options in the same order as in above chart

Dimensions : first dimensions are in mm while inches are shown as bracketted numbers.



NOTICE : please note that not all combinations of above numbers are available. Refer to the following pages for further information.



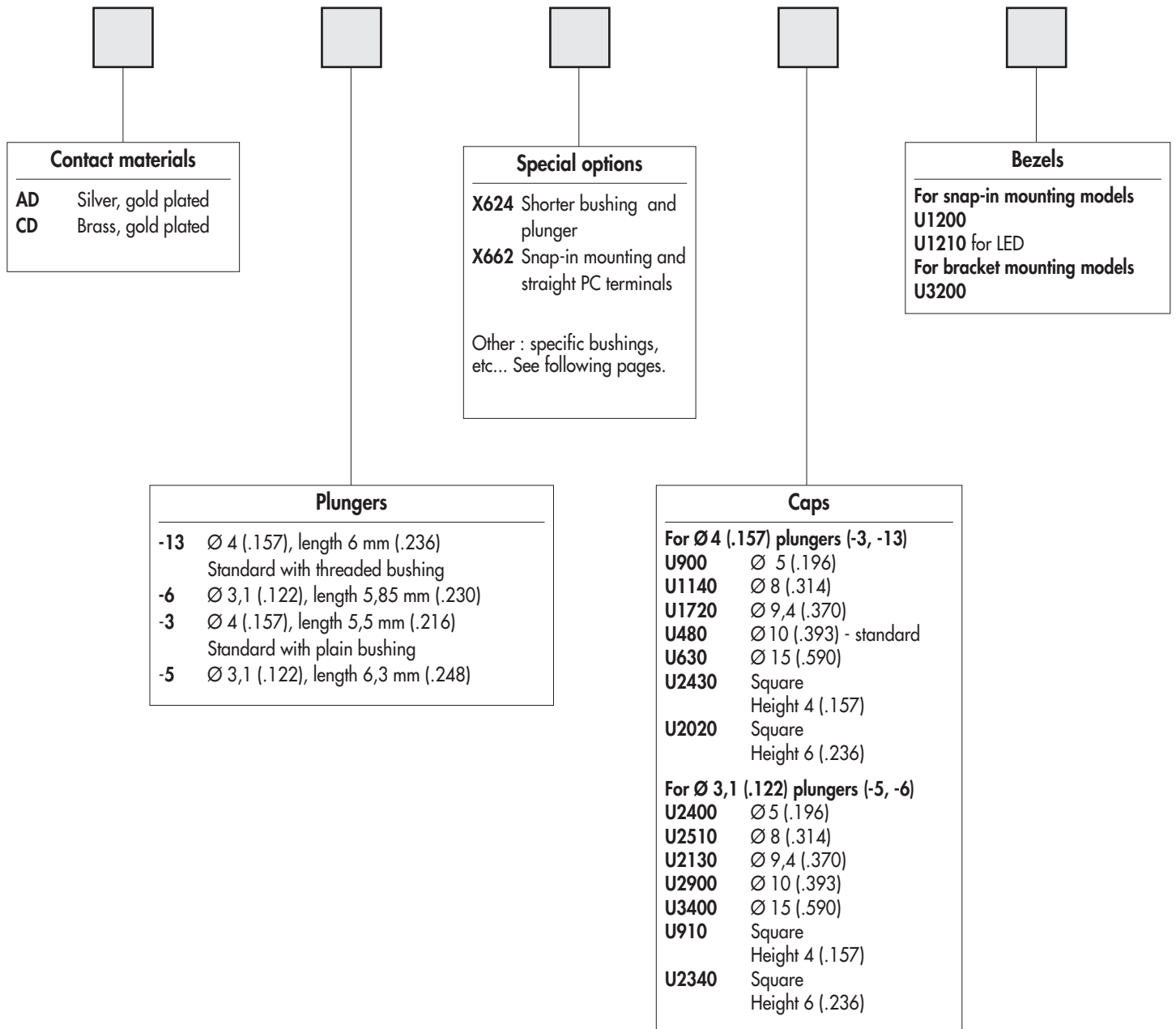
www.ermec.com



18000 series

Snap-action momentary pushbutton switches

Overview



Sealing boots are available to protect the switches against dust and water. They are presented in section H.



Mounting accessories : standard hardware supplied with all models with Ø 6,35 (1/4) threaded bushing :
2 hex nuts 8 mm (.314) across flats, 1 locking ring and 1 lockwasher.
Standard and special hardware available are presented in section I.



Packaging unit : 25 pieces for W, WW double pole and 18800 models
50 pieces for other models.



www.ermec.com

18000 series

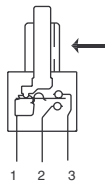
Snap-action momentary pushbutton switches

Threaded bushing $\varnothing 6,35$ (1/4) : 18500 - 18700 - 18200

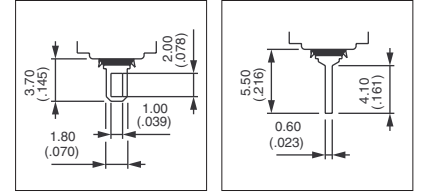
ermec@ermec.com

MODEL STRUCTURE

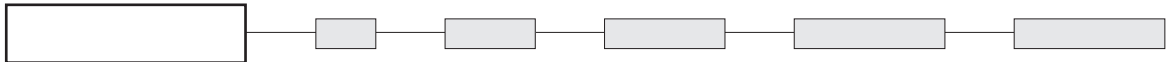
→ Keyway



- Solder lug or straight PC terminals
- Epoxy sealed terminals standard



MODEL STRUCTURE



Shown with standard plunger (-13)

Solder lug terminals : 18500

→ Keyway



Single pole
18535

Double pole
18545



1-3

ON

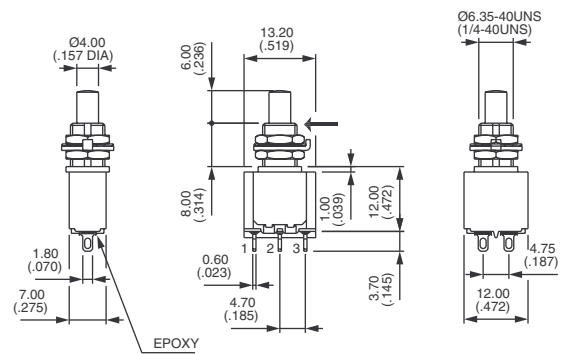


1-2

MOM

ON

MOM



Flatted bushing - solder lug terminals : 18700

→ Flat



Single pole
18735

Double pole
18745



1-3

ON

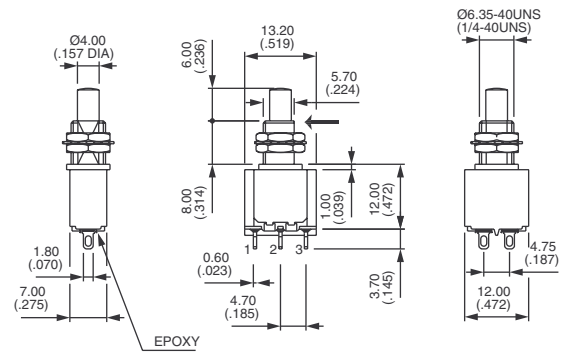


1-2

MOM

ON

MOM



Straight PC terminals : 18200

→ Keyway



Single pole
18235

Double pole
18245



1-3

ON

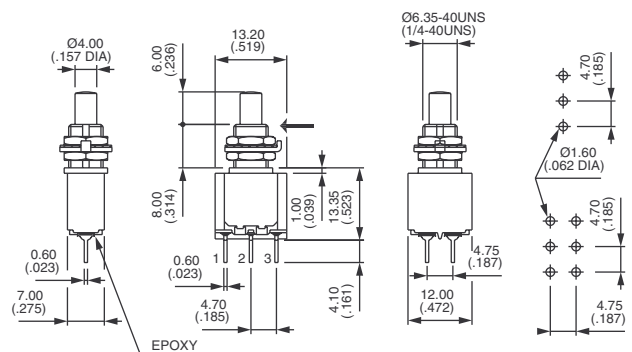


1-2

MOM

ON

MOM



www.ermec.com



18000 series

Snap-action momentary pushbutton switches

Threaded bushing $\varnothing 6,35$ (1/4) : 18900 - Snap-in mounting : 18800

Flatted bushing - straight PC terminals : 18900

→ Flat



Single pole
18935

Double pole
18945



1-3

ON

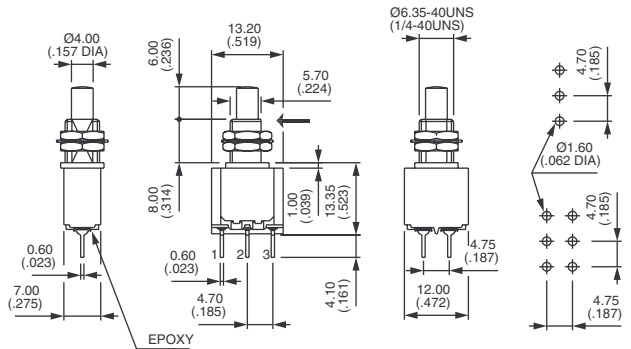


1-2

MOM

ON

MOM



Snap-in mounting - solder lug terminals : 18800

Shown with cap U910 + U1200



Single pole
18835

Double pole
18845



1-3

ON

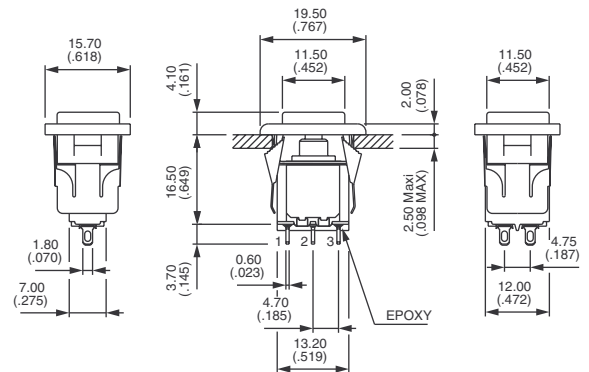


1-2

MOM

ON

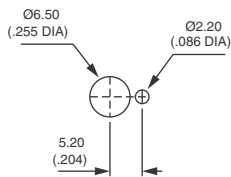
MOM



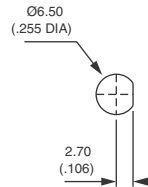
Available with straight PC terminals : see X662 under "Special options".

PANEL CUT-OUT

18500 - 18200

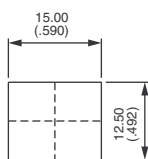


18700 - 18900

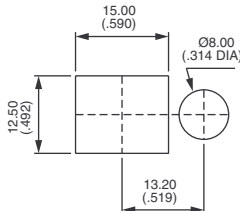


PANEL CUT-OUT

18800



With bezel **U1200**



With bezel **U1210** for LED



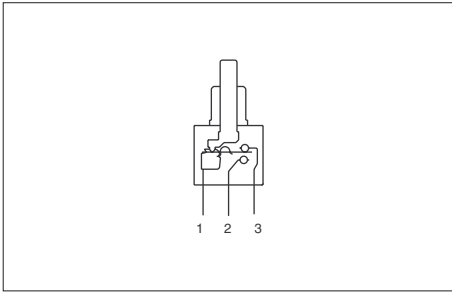
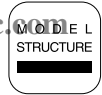
www.ermec.com

18000 series

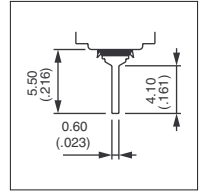
Snap-action momentary pushbutton switches

Plain bushing : 18200Y - 18200W - 18200WW

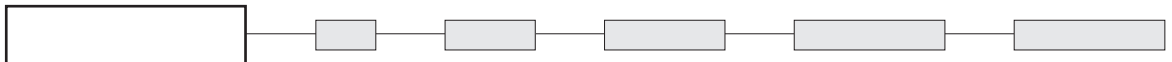
ermec@ermec.com



- Straight PC or right angle terminals
- Epoxy sealed terminals standard



MODEL
STRUCTURE

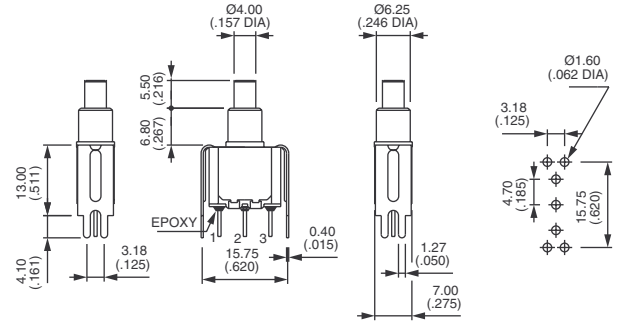


Shown with standard plunger (-3)

Straight PC terminals - bracket mounting - single pole 18230Y



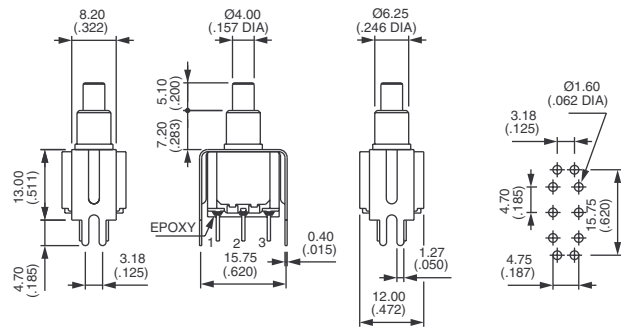
18235Y



Straight PC terminals - bracket mounting - double pole 18240Y



18245Y



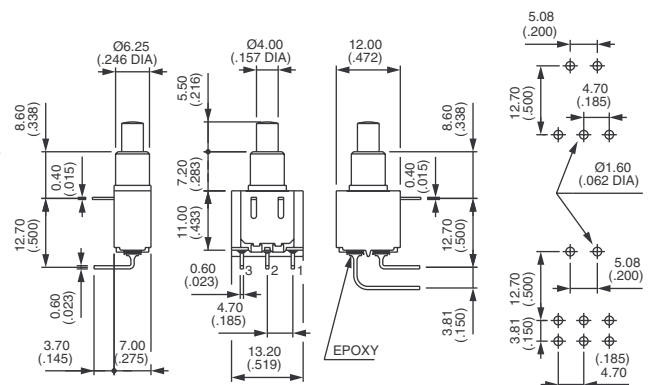
Right angle terminals - horizontal : 18200W



Single pole
18235W



Double pole
18245W



www.ermec.com



18000 series

Snap-action momentary pushbutton switches

Right angle terminals - vertical : 18200WW



Single pole
18235WW

Double pole
18245WW



1-3

ON

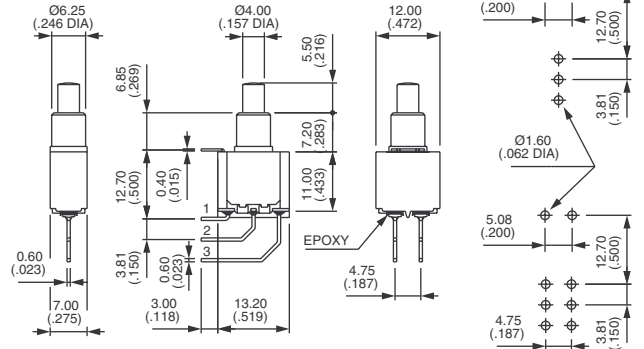


1-2

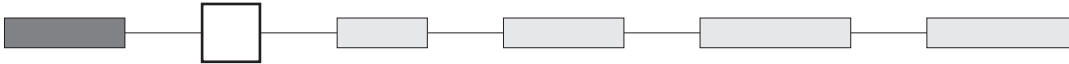
MOM

ON

MOM



CONTACT MATERIALS

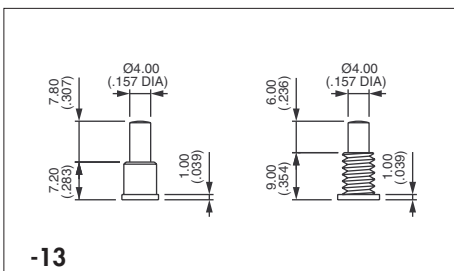


AD Silver, gold plated
CD Brass, gold plated

PLUNGERS

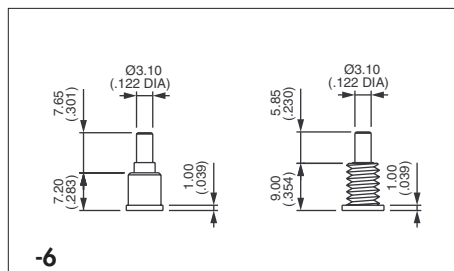


Dash compulsory before plunger code.



-13

Ø 4 (.157) - standard with threaded bushing

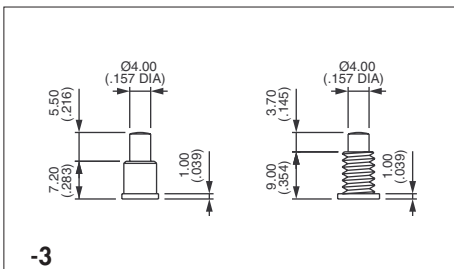


-6

Ø 3,1 (.122)

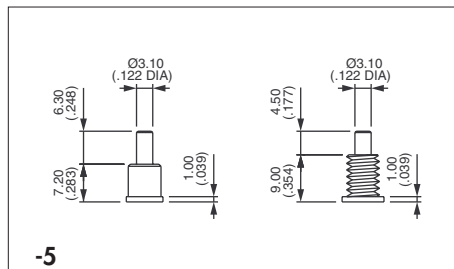


If plunger not specified, we supply former default option -13.



-3

Ø 4 (.157) - standard with plain bushing



-5

Ø 3,1 (.122)



www.ermec.com



18000 series

Snap-action momentary pushbutton switches

SPECIAL OPTIONS (continued)

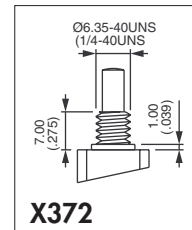


X371 Plain bushing \varnothing 6,25 mm (.246) (instead of standard threaded bushing).

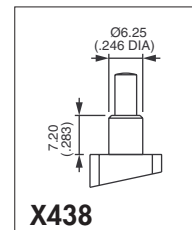
X372 Shorter threaded bushing \varnothing 6,35 (1/4). Height 7 mm (.274).

X386 Threaded bushing \varnothing 6,35 mm (1/4) to replace plain bushing on models W - WW and Y.

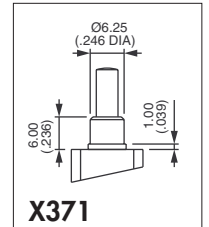
X438 Plain bushing \varnothing 6,25 mm (.246). Height 7,2 mm (.283) - without shoulder.



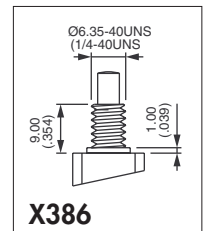
X372



X438

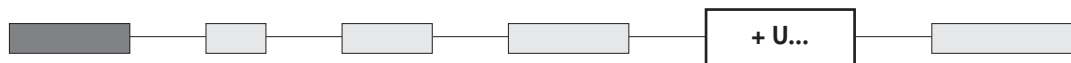


X371

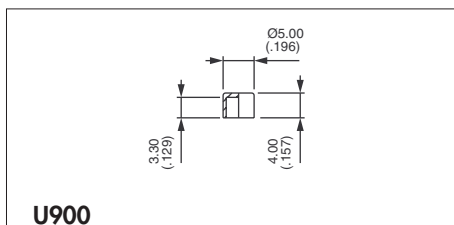


X386

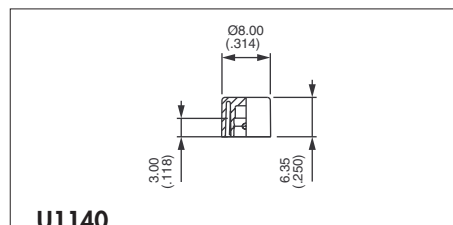
CAPS



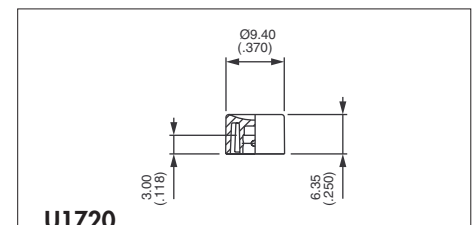
Caps for \varnothing 4 (.157) plungers (-13, -3)



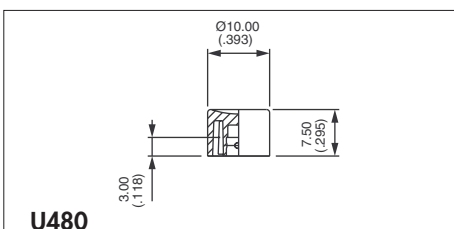
U900



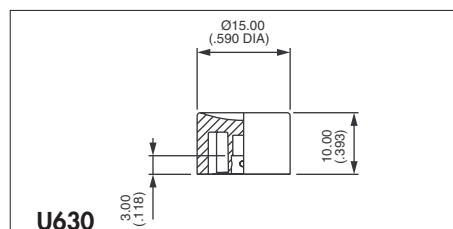
U1140



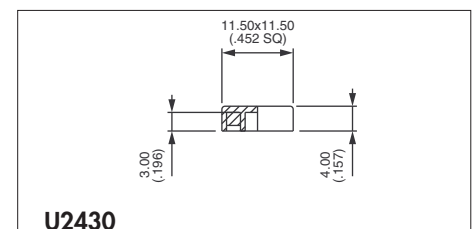
U1720



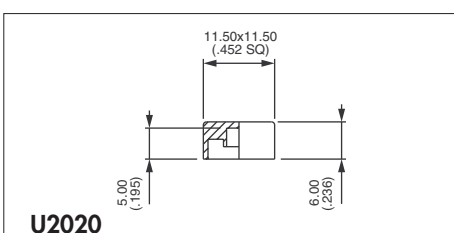
U480



U630



U2430



U2020

Square

Square

| Cap colours | | | |
|----------------------------|-----------|-----|--------|
| Replace last "0" by number | | | |
| 1 | blue | 5 | yellow |
| 1/4 | dark blue | 6 | red |
| 2 | black | 7 | ivory |
| 3 | green | 7/1 | white |
| 4 | grey | 9 | orange |

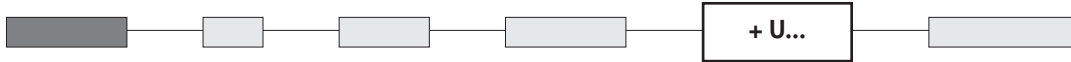


www.ermec.com

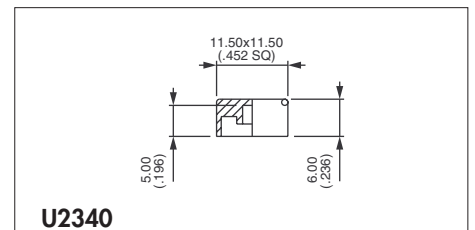
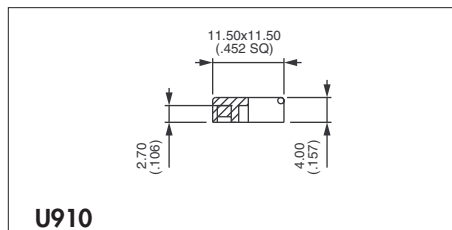
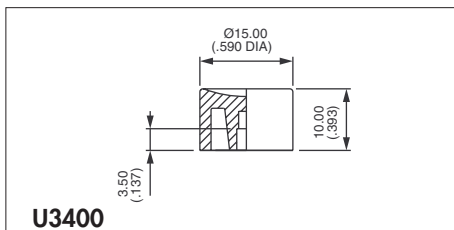
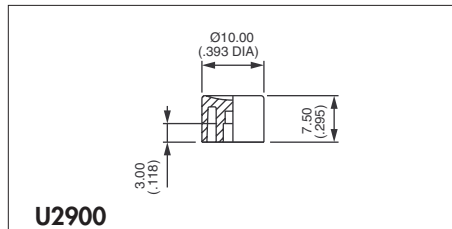
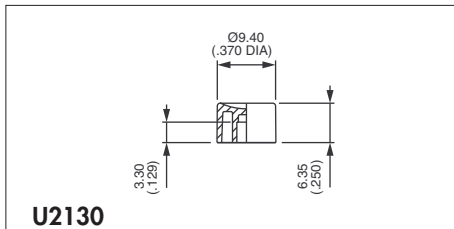
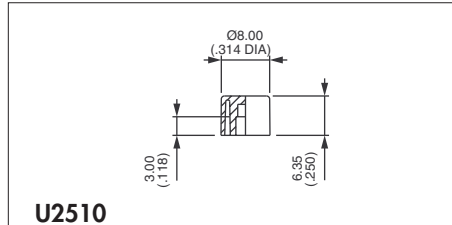
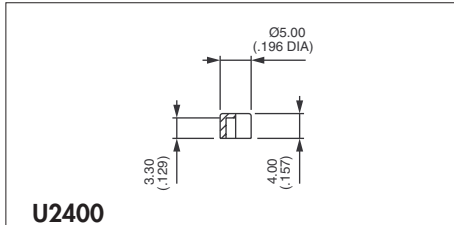
18000 series

Snap-action momentary pushbutton switches

CAPS (continued)

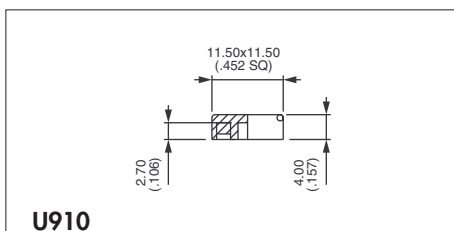


Caps for Ø 3,1 (.122) plungers (-5, -6)

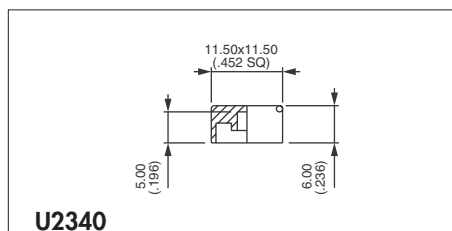


| Cap colours | |
|-----------------------|-----------|
| Replace "0" by number | |
| 1 | blue |
| 1/4 | dark blue |
| 2 | black |
| 3 | green |
| 4 | grey |
| 5 | yellow |
| 6 | red |
| 7 | ivory |
| 7/1 | white |
| 9 | orange |

Caps for 18800 and 18800X662 models



Square



Square





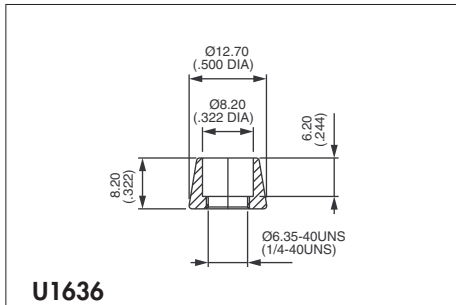
18000 series

Snap-action momentary pushbutton switches

DRESS NUTS

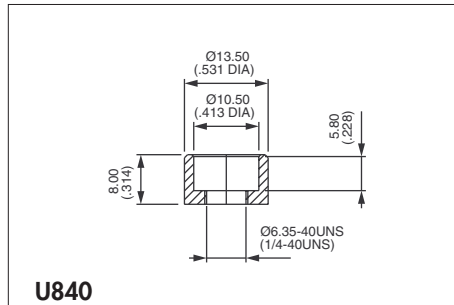
For models with threaded bushing (18500 - 18700 - 18200 - 18900)

Chrome plated - Order separately.



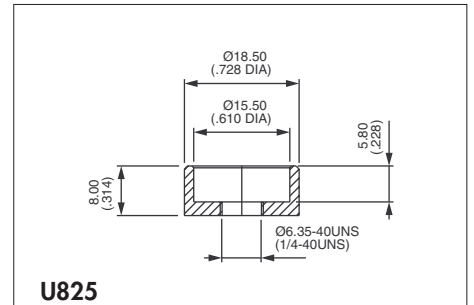
U1636

For caps U1140 and U2510



U840

For cap U480 and U2900



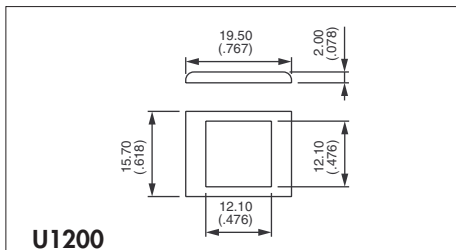
U825

For caps U630 and U3400

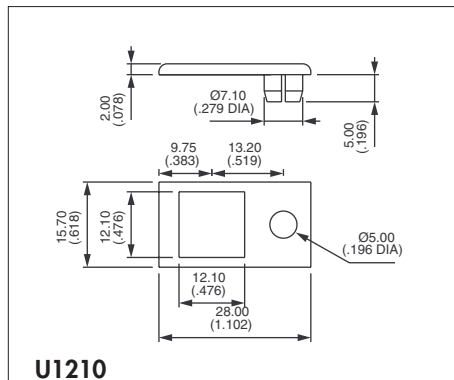
BEZELS



For snap-in models (18800 - 18800X662)



U1200

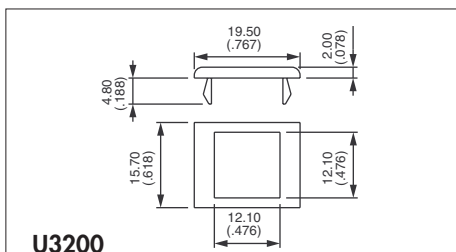


U1210

For LED Ø 5 - not supplied

| Bezel colours | |
|----------------------------|-----------|
| Replace last "0" by number | |
| 1 | blue |
| 1/4 | dark blue |
| 2 | black |
| 3 | green |
| 4 | grey |
| 5 | yellow |
| 6 | red |
| 7 | ivory |
| 7/1 | white |
| 9 | orange |

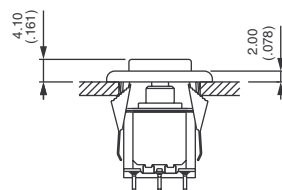
For bracket mounting models (18200Y & 18200YX624)



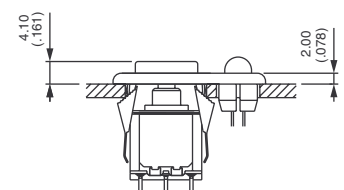
U3200

STANDARD PANEL MOUNTING

Panel thickness with bezel : 1 mm (.039) to 2,5 mm (.098)



18800 + U910 + U1200



18800 + U910 + U1210



www.ermec.com

18000 series

ermec@ermec.com

Snap-action momentary pushbutton switches

For high currents

Tactile feedback

ELECTRICAL SPECIFICATIONS

- Max. current/voltage rating with resistive load :
3A 250VAC - 6A 125VAC - 7A 30VDC
- Initial contact resistance : 20 mΩ max. at 0,1A 3VDC
- Insulation resistance : 200.000 MΩ min. between terminals and frame
- Dielectric strength : 1.500 Vrms 50 Hz min.
- Electrical life : 60.000 cycles at full load

GENERAL SPECIFICATIONS

- Travel : 0,90 mm (.035) approx.
- Operating temperature :
-30°C to +85°C

MATERIALS

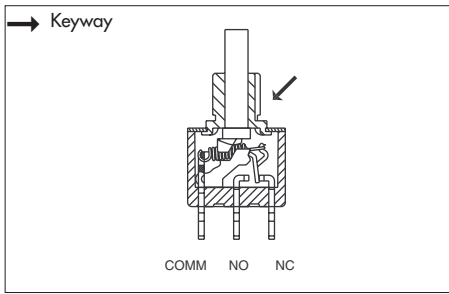
- Case : diallylphthalate (DAP)
- Actuator : glass filled polyester
- Bushing : brass, nickel plated
- Housing : stainless steel
- Contacts : silver
- Terminal seal : epoxy



www.ermec.com

18000 series

Snap-action momentary pushbutton switches



- Threaded bushing $\varnothing 6,35$ (1/4)
- Solder lug terminals
- Epoxy sealed terminals

MODEL
STRUCTURE

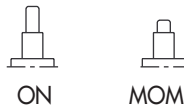


B

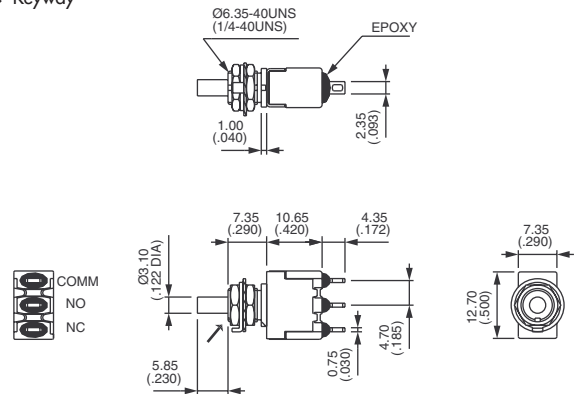
Single pole



18635A



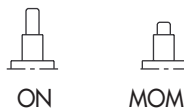
→ Keyway



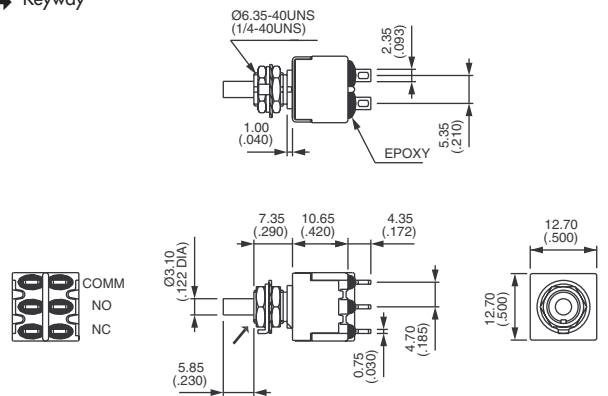
Double pole



18645A



→ Keyway

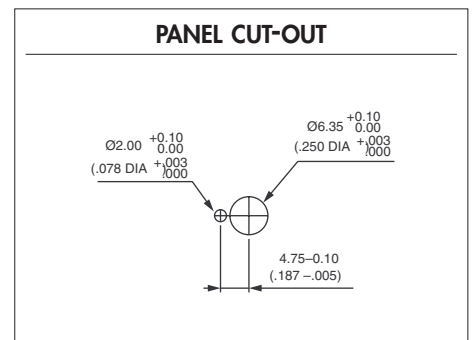


CAPS



| Round | |
|-------|--------------------------|
| U2400 | $\varnothing 5$ (.196) |
| U2510 | $\varnothing 8$ (.314) |
| U2130 | $\varnothing 9,4$ (.370) |
| U2900 | $\varnothing 10$ (.393) |
| U3400 | $\varnothing 15$ (.590) |

| Square | |
|--------|-----------------|
| U910 | Height 4 (.157) |
| U2340 | Height 6 (.236) |



For cap dimensions, see "Caps for $\varnothing 3,1$ (.122) plungers" on the preceding pages.



www.ermec.com