



EN 61058-1



- The switches described below are marked VDE as standard.
- UL and CSA agency approvals are also available. To order a switch marked UL or CSA, please complete "Other agency approvals" box.

ELECTRICAL SPECIFICATIONS

- Class I (normal insulation)
- Small contact opening : μ (< 3 mm (.118))
- Current/voltage rating with resistive load : 3A 250VAC - 6A 125VAC
- Dielectric strength :
2.000 Vrms 50 Hz min. between poles and between terminals and frame
1.000 Vrms 50 Hz min. between terminals
- Special body for increased creepage distance and air gap : 3 mm (.118)

MATERIALS

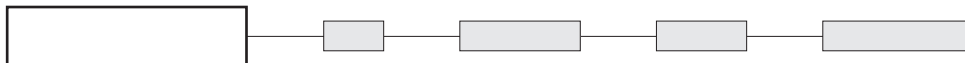
- Contacts : silver
- Case : diallylphthalate (DAP)
- Actuator : brass, chrome plated with insulating vinyl cap
- Bushing : brass, nickel plated
- Housing : stainless steel
- Terminal seal : epoxy

GENERAL SPECIFICATIONS

- Insulating cap, compulsory, supplied glued on the lever :
U270 for models 55600A, 55200A and 55200ZA
U1040 for models 55200WA and 55200WA X433
- Ground connector :
U721 compulsory if the panel is not metallic or not connected to ground
- Epoxy sealed terminals standard

Further specifications, see 5000 series.

MODEL STRUCTURE



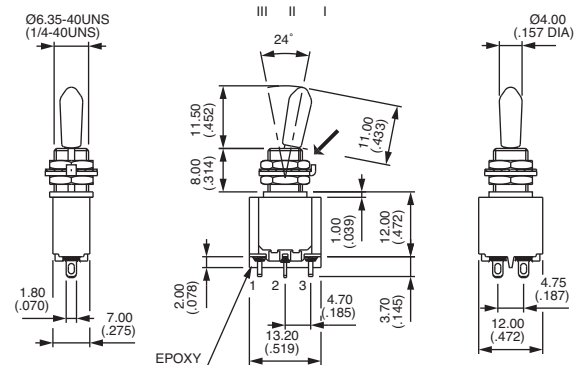
Solder lugs

→ Keyway

III	II	I
2-3		1-2
5-6		4-5

Single pole Double pole

55636A	55646A	ON	-	ON
55639A	55649A	ON	OFF	ON



Also available with \varnothing 6 mm (.236) bushing : 55500.

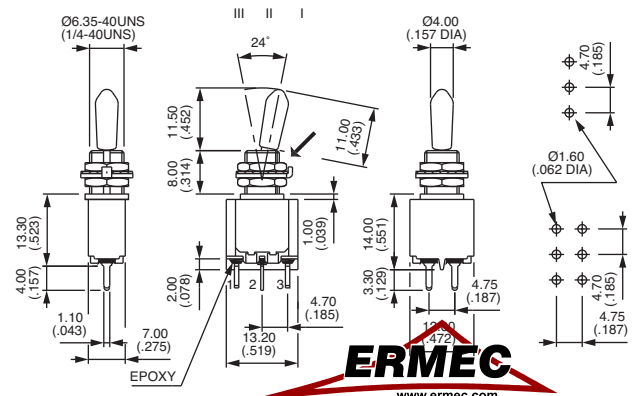
Straight PC terminals

→ Keyway

III	II	I
2-3		1-2
5-6		4-5

Single pole Double pole

55236A	55246A	ON	-	ON
55239A	55249A	ON	OFF	ON



Also available with \varnothing 6 mm (.236") bushing : 55100.

55000 series

VDE approved toggle switches

ermec@ermec.com



A

Right angle terminals - horizontal

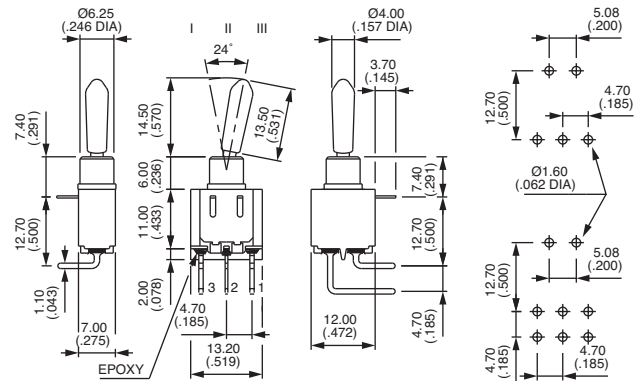
III	II	I
2-3		1-2
5-6		4-5

Single pole Double pole*

55236WA	55246WA X433	ON	-	ON
55239WA	55249WA X433	ON	OFF	ON

"X433" to be placed in the third box of ordering format.

Also available for VERTICAL mounting (on request).



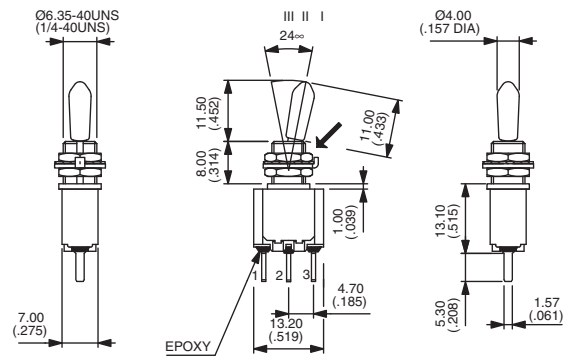
Quick-connect terminals

→ Keyway

III	II	I
2-3		1-2

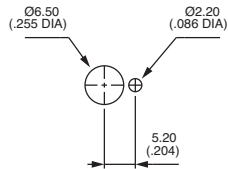
Single pole

55236Z	ON	-	ON
55239ZA	ON	OFF	ON

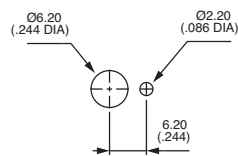


PANEL CUT-OUT

Bushing Ø 6,35 (1/4)

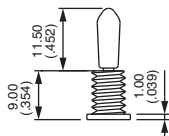


Bushing Ø 6 (.236)



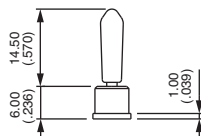
* In double pole W models, spacing between poles on PCB is different from standard : 4,7 mm (.185) instead of 3,81 mm (.150)

LEVERS



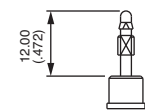
Blank

For threaded bushing models
Cap U270 compulsory



Blank

For plain bushing models
Cap U1040 compulsory



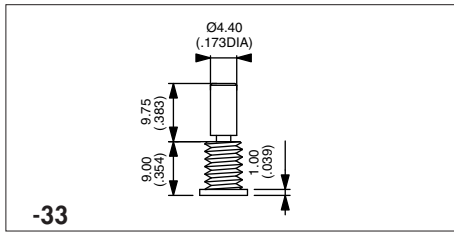
-4N

For use with **ERMEC**
www.ermec.com

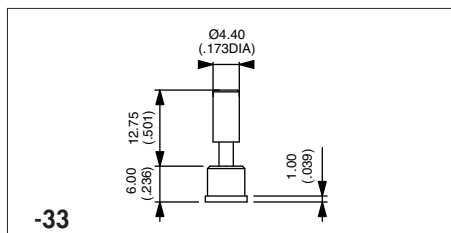
www.ermec.com



LEVERS (continued)

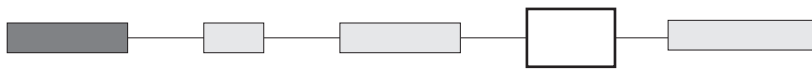


-33 For threaded bushing models



-33 For plain bushing models

OTHER AGENCY APPROVALS



UL
CSA

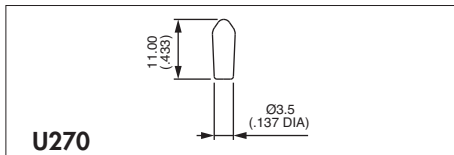
To order a switch additionally marked UL and/or CSA, complete above box with desired approvals (ex. ULCSA).

INSULATING CAPS AND PADDLES

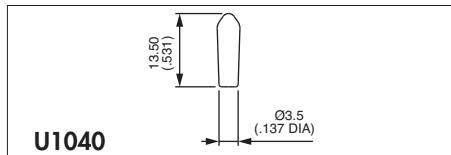


Insulating caps

Compulsory - delivered assembled on the lever - not available in ivory colour



U270 For threaded bushing models

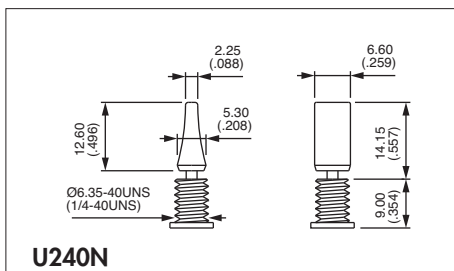


U1040 For plain bushing models

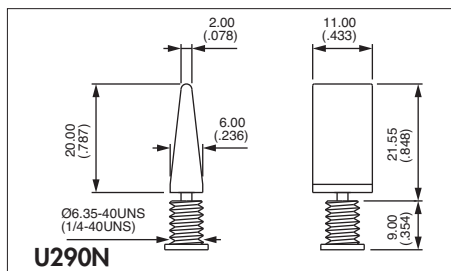
Cap/paddle colours	
Replace last "0" by number	
1	blue
1/4	dark blue
2	black
3	green
4	grey
5	yellow
7	ivory
7/1	white
9	orange

Paddles

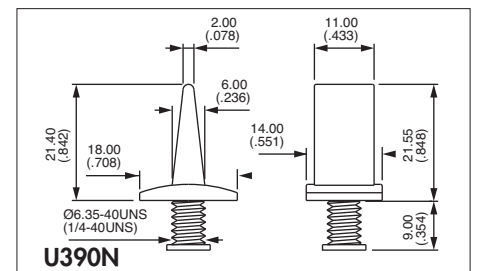
For use with lever 4N only. Shown with threaded bushing. Order separately.



U240N



U290N

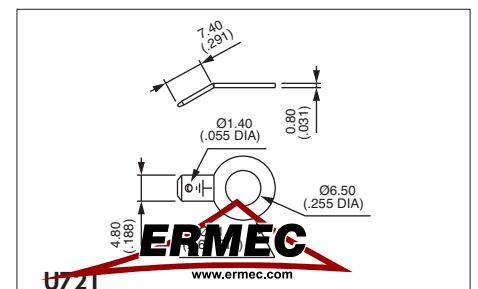


U390N



GROUND CONNECTOR

IMPORTANT : compulsory on models with threaded bushing if the panel is not metallic or not connected to ground. Order separately.



U721

www.ermec.com