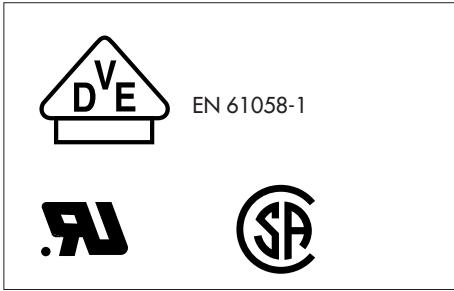




57000 series

VDE approved rocker and paddle switches



- The switches described below are standard marked VDE.
- UL and CSA agency approvals are also available. To order a switch marked UL or CSA, please complete "Other agency approvals" box.

ELECTRICAL SPECIFICATIONS

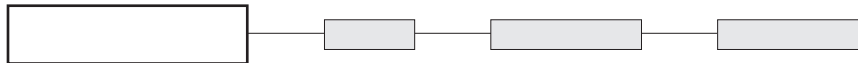
- Class I (normal insulation)
- Small contact opening : μ (< 3 mm (.118))
- Current/voltage rating with resistive load : 3A 250VAC - 6A 125 VAC
- Dielectric strength :
2.000 Vrms 50 Hz min. between poles and between terminals and frame
1.000 Vrms 50 Hz min. between terminals
- Special body for increased creepage distance and air gap : 3 mm (.118)

Further specifications, see 7000 series.

MATERIALS

- Contacts : silver
- Case : diallyphthalate (DAP)
- Actuators : polyamide
- Housing : stainless steel or steel tin plated
- Terminal seal : epoxy

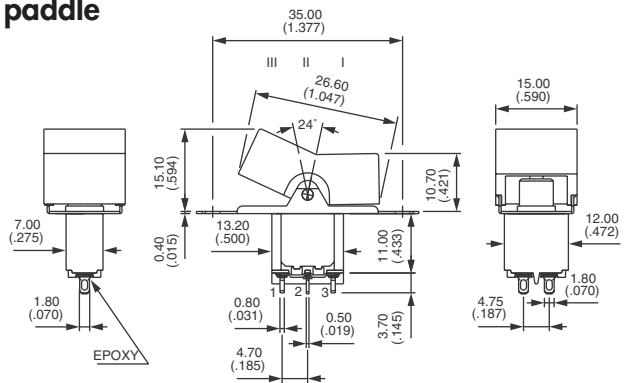
MODEL STRUCTURE



Shown with rocker U530

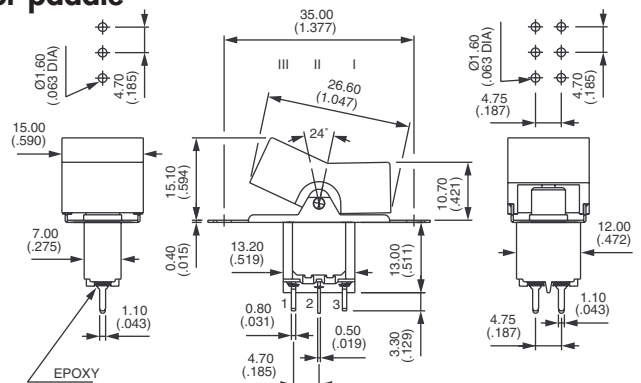
Panel mounting - solder lug terminals - large rocker or paddle

	III	II	I
	2-3		1-2
	5-6		4-5
Single pole			
57736A	ON	-	ON
57739A	ON	OFF	ON
Double pole			
57746A			
57749A			



Panel mounting - straight PC terminals - large rocker or paddle

	III	II	I
	2-3		1-2
	5-6		4-5
Single pole			
57936A	ON	-	ON
57939A	ON	OFF	ON
Double pole			
57946A			
57949A			



www.ermec.com

57000 series

VDE approved rocker and paddle switches

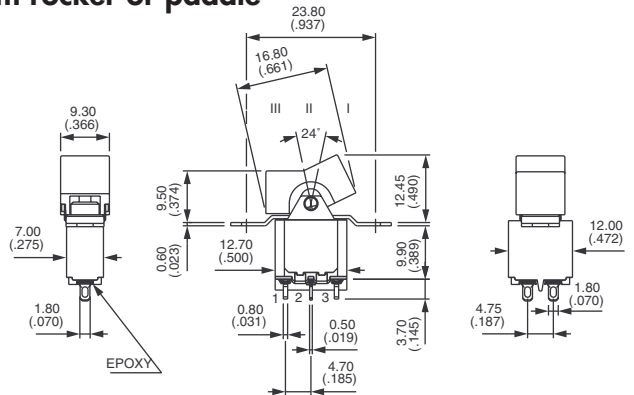
ermec@ermec.com

MODEL STRUCTURE

Shown with rocker U620

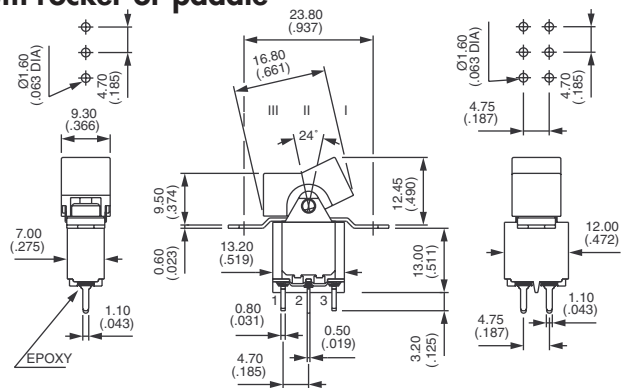
Panel mounting - solder lug terminals - small or medium rocker or paddle

	III	II	I
Single pole	2-3		1-2
Double pole	5-6		4-5
57736NA	ON	-	ON
57739NA	ON	OFF	ON



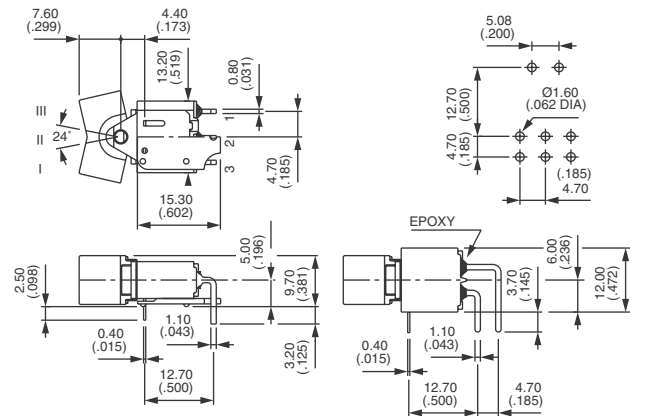
Panel mounting - straight PC terminals - small or medium rocker or paddle

	III	II	I
Single pole	2-3		1-2
Double pole	5-6		4-5
57936NA	ON	-	ON
57939NA	ON	OFF	ON



Right angle terminals - horizontal

	III	II	I
Single pole	2-3		1-2
Double pole *	5-6		4-5
57936WA	ON	-	ON
57939WA	ON	OFF	ON



Also available for VERTICAL mounting (on request).

PANEL CUT-OUT : Refer to 7000 series

* In double pole W models, spacing between poles on PCB is different from standard : 4,70 mm (.185) instead of 3,81 mm (.150). Part number X433.



www.ermec.com



57000 series

VDE approved rocker and paddle switches

OTHER AGENCY APPROVALS



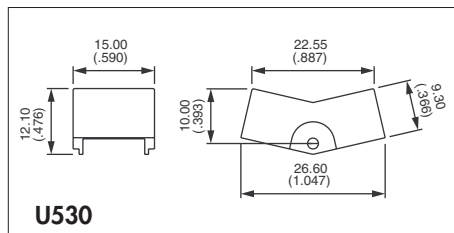
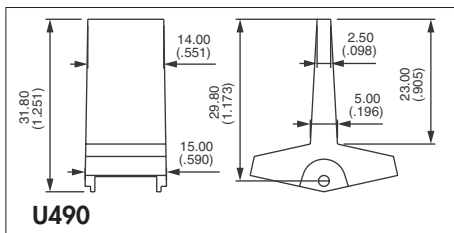
UL - CSA

To order a switch additionally marked UL and/or CSA, complete above box with desired approvals.

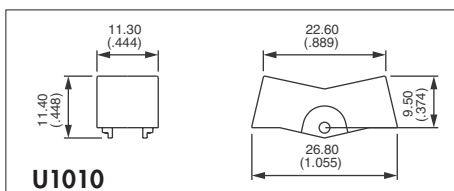
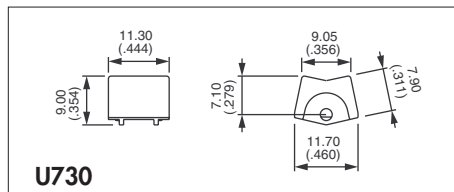
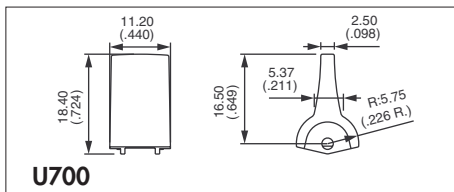
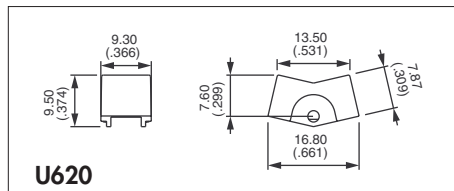
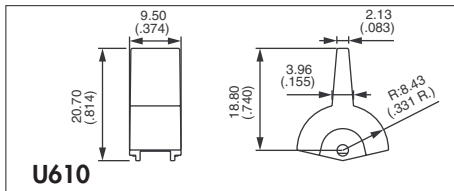
ACTUATORS



For 57000A models



For 57000NA and 57000WA models



For 57000WA, available on double pole only

Actuator colours	
Replace last "0" by number	
1	blue
1/4	dark blue
2	black
3	green
4	grey
5	yellow
7	ivory
7/1	white
9	orange

D

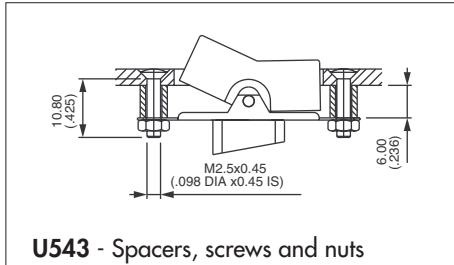
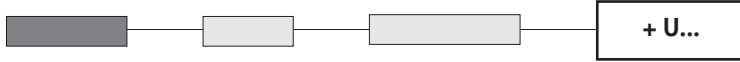


www.ermec.com

57000 series

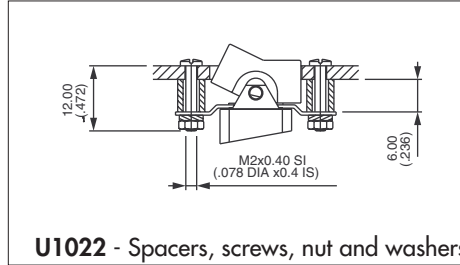
VDE approved rocker and paddle switches

MOUNTING ACCESSORIES



U543 - Spacers, screws and nuts

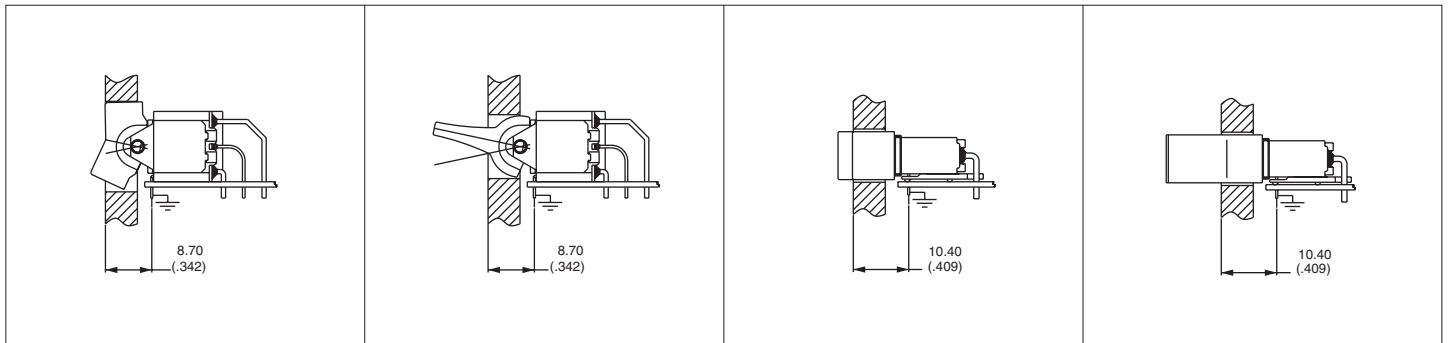
For rocker U530 or paddle U490



U1022 - Spacers, screws, nut and washers

For rockers U620 or U730
 For paddles U610 or U700

MOUNTING RECOMMENDATIONS



D