

# IZ series

Rear mounted sealed pushbutton switches •  
bushing Ø 16 mm • metal • momentary



## DISTINCTIVE FEATURES

- Rear mounting for easier installation
- Fixed or variable panel thickness
- Screw version available up to 4 A
- Sealed to IP67
- Illuminated or non-illuminated



## ENVIRONMENTAL SPECIFICATIONS

- Front panel sealing : IP67 according to IEC 60529
- Shock resistance : 100 g according to IEC 512-4, test 6c
- Vibration resistance : 10-500Hz - 10 g according to IEC 512-4, test 6d
- Salt spray : IEC 512-6, test 11f
- Operating temperature : -40 °C to +85 °C (-40 °F to +185 °F)



## ELECTRICAL SPECIFICATIONS

- Max. current/voltage rating with resistive load :
  - Gold plated silver contacts (code 4) : 200 mA 48 VDC
  - Silver contacts (code 2) - screw terminals : 4 A 48 VDC
- Electrical life at full load : 500,000 cycles
- Initial contact resistance : 100 mΩ max.
- Insulation resistance : 1 GΩ min. at 500 VDC
- Dielectric strength : 1,000 Vrms 50 Hz



### LED COMPONENT SPECIFICATIONS

LED color	Forward current	Typ. forward voltage	Max. forward voltage
Super red (LOS)	20 mA	2.1 V	2.3 V
Yellow (LOY)	20 mA	2.1 V	2.3 V
Green (LOG)	20 mA	2.1 V	2.3 V
Blue (LOB)	20 mA	3.2 V	3.8 V
White (LOW)	20 mA	3.35 V	4.25 V
Red/green (LSG)	20 mA	Red: 1.95 V / green: 2.1 V	2.5 V
Yellow/green (LYG)	20 mA	Yellow: 2 V / green: 2.1 V	2.5 V

A resistor must be series-connected by the user.  
Resistor value =  $\frac{\text{supply voltage} - \text{LED forward voltage}}{\text{LED forward current}}$

On flying lead versions, the LED resistor can be integrated by APEM on request.

The company reserves the right to change specifications without notice.

# IZ series

Rear mounted sealed pushbutton switches •  
bushing Ø 16 mm • metal • momentary

## GENERAL SPECIFICATIONS

- Panel thickness :
  - IZM : 3 mm (.118) max.
  - IZN : 4 mm (.157) max.
- Total travel : 1.8 mm (.070) ± 0.3 mm
- Typical operating force : 6 N ± 2 N
- Low level or mechanical life : 1,000,000 cycles
- Torque : IZN : 1 Nm max.  
IZM : 0.7 Nm max. applied to nut
- Soldering : 320 °C (608 °F) max. for 3 sec.

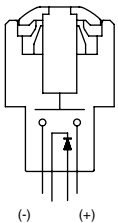
## MATERIALS

- Case : thermoplastic UL94-V0
- Plunger : polyamide
- Bushing/bezel : brass, nickel plated
- Contacts :
  - 4 : silver, gold plated
  - 2 : silver (screw terminals)
- Multi-wire leads AWG20, section 0.6 mm<sup>2</sup>
- LED wire : AWG26, section 0.12 mm<sup>2</sup>
- Lens : polycarbonate
- Terminal seal : epoxy (except screw terminals)

APEM products may be recycled at end-of-life for the re-claiming of valuable metal components.

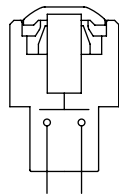
## ELECTRICAL FUNCTIONS

ILLUMINATED MODELS



Function 3 (NO)

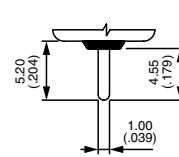
NON-ILLUMINATED MODELS



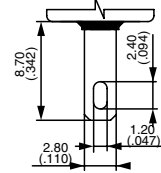
Function 3 (NO)

## TERMINALS

MODELS FOR VARIABLE PANEL THICKNESS (IZM)

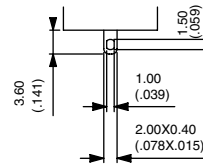


Straight P

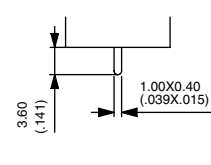


Quick-connect Z

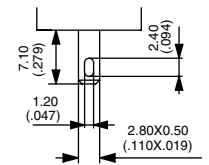
MODELS FOR FIXED PANEL THICKNESS (IZN)



Solder lug S



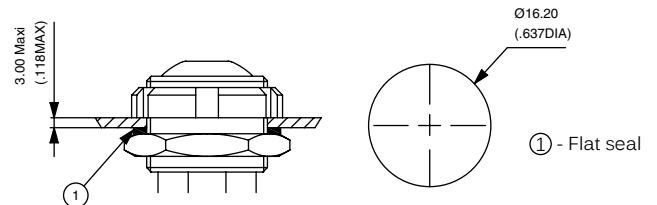
Straight P



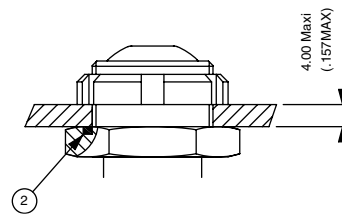
Quick-connect Z

## MOUNTING

PANEL CUT-OUT

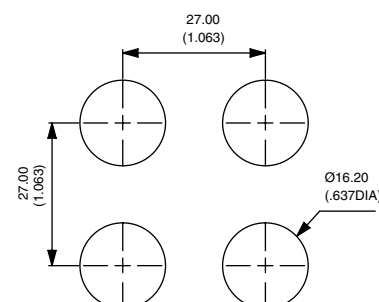


IZM (adjustable hex nut)



IZN (fixed hex nut)

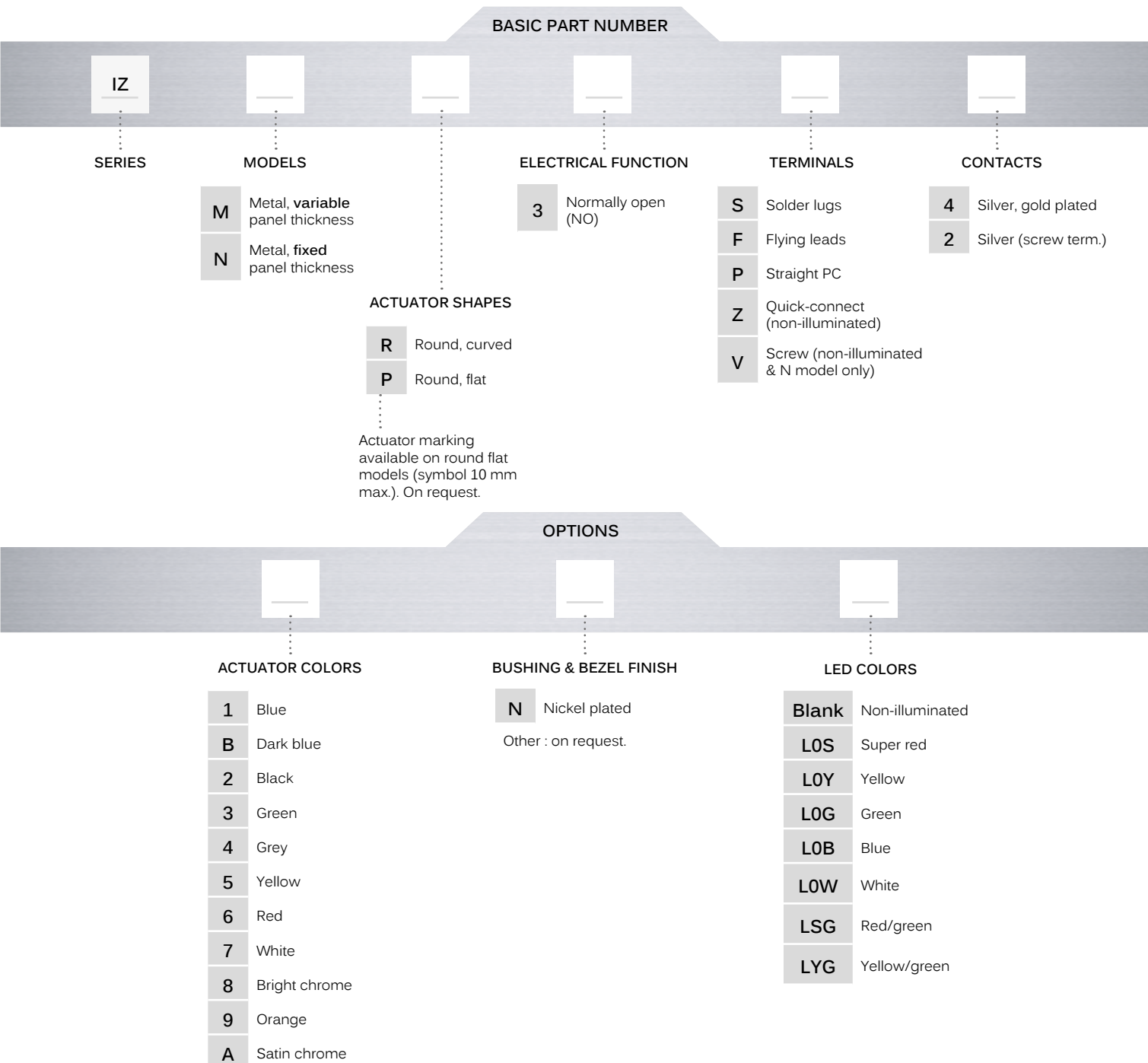
MATRIX MOUNTING



Rear mounted sealed pushbutton switches •  
bushing Ø 16 mm • metal • momentary



## BUILD YOUR PART NUMBER



## ABOUT THIS SERIES

On the following pages, you will find successively basic part numbers of switches and options in the same order as in above chart.

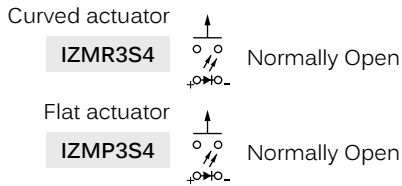
- ⚠ **Notice** : please note that not all combinations of above numbers are available. Refer to the following pages for further information.
- 🔒 **A sealing boot** is available to protect the switches against frost and sand. See "Sealing Boots" section of website.
- 🔧 **Mounting accessories** : Standard hardware supplied :
  - IZM : 1 castellated nickel plated brass nut U6915 + 1 silicone flat seal + 1 hex nut 19 mm (.748) across flats 10-621.
  - IZN : 1 castellated nickel plated brass nut U6915 + 1 O-ring

Wrench tool available under P/N U4028. Order separately

# IZ series

Rear mounted sealed pushbutton switches •  
bushing Ø 16 mm • metal • momentary

## VARIABLE PANEL THICKNESS ILLUMINATED - SOLDER LUG TERMINALS



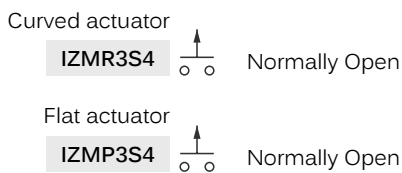
Also available with straight PC terminals : **IZM•3P4**.  
LED color is indicated by the bottom of the switch.

## VARIABLE PANEL THICKNESS ILLUMINATED - FLYING LEAD TERMINALS



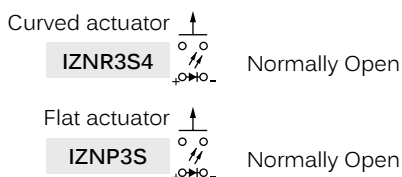
Wire colors : black : NO contact, red : LED anode (+), blue : LED cathode (-)

## VARIABLE PANEL THICKNESS NON-ILLUMINATED - SOLDER LUG TERMINALS

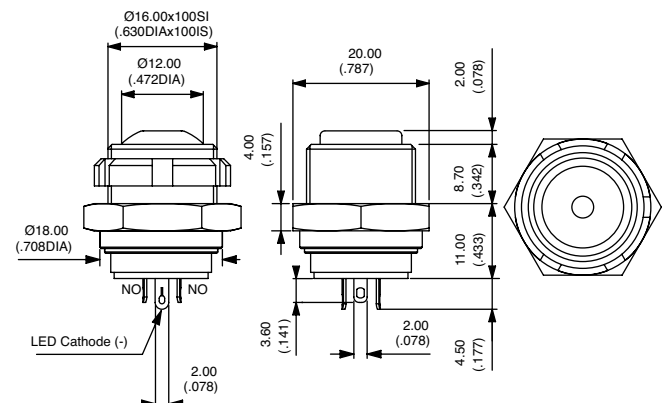
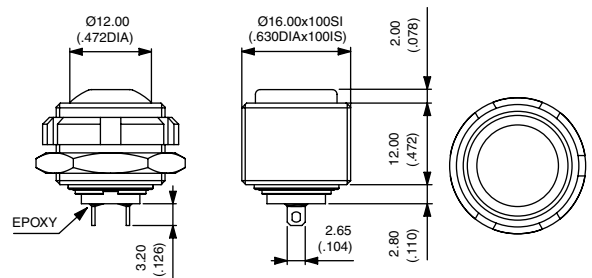
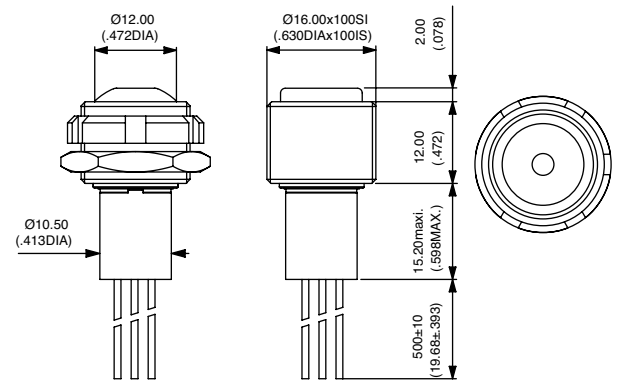
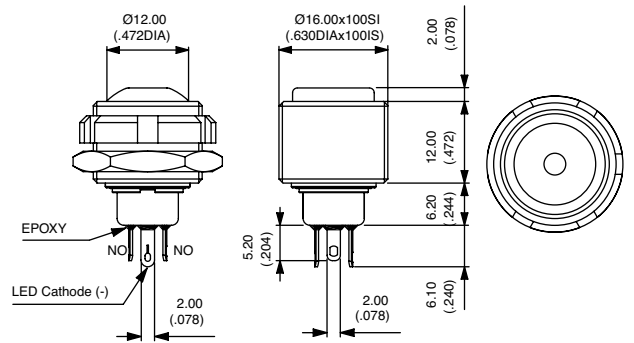


Also available with straight PC terminals : **IZM•3P4**  
and quick-connect terminals : **IZM•3Z4**.

## FIXED PANEL THICKNESS ILLUMINATED - SOLDER LUG TERMINALS



Also available with straight PC terminals : **IZN•3P4**.  
LED colour is indicated by the bottom of the switch.



Rear mounted sealed pushbutton switches •  
bushing Ø 16 mm • metal • momentary

## FIXED PANEL THICKNESS ILLUMINATED - FLYING LEAD TERMINALS



- Curved actuator  
**IZNR3F4** Normally Open
- Flat actuator  
**IZNP3F4** Normally Open

Wire colors : black : NO contact, red : LED anode (+), blue : LED cathode (-)

## FIXED PANEL THICKNESS NON-ILLUMINATED - SOLDER LUG TERMINALS



- Curved actuator  
**IZNR3S4** Normally Open
- Flat actuator  
**IZNP3S4** Normally Open

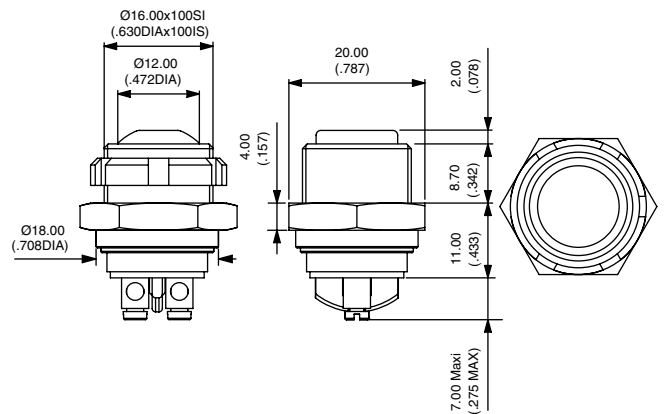
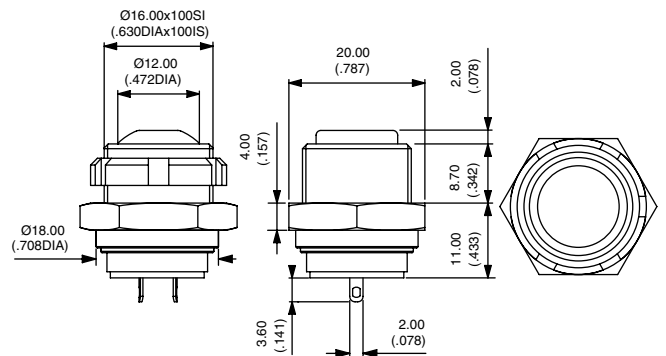
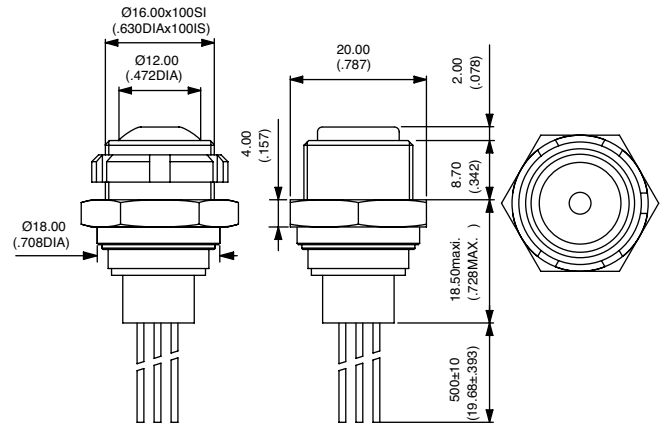
Also available with straight PC terminals : **IZN•3P4**  
and quick-connect terminals : **IZN•3Z4**.

## FIXED PANEL THICKNESS NON-ILLUMINATED - SCREW TERMINALS



- SILVER CONTACTS
- Curved actuator  
**IZNR3V2** Normally Open
- Flat actuator  
**IZNP3V2** Normally Open

For non-illuminated FLYING LEAD versions, refer to illuminated models  
. Non-illuminated have 2 wires only.



# IZ series

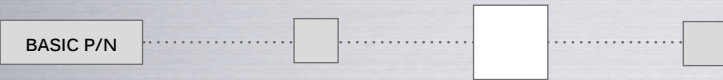
Rear mounted sealed pushbutton switches •  
bushing Ø 16 mm • metal • momentary

## ACTUATOR COLORS



- 1 Blue
- B Dark blue
- 2 Black
- 3 Green
- 4 Grey
- 5 Yellow
- 6 Red
- 7 White
- 8 Bright chrome
- 9 Orange
- A Satin chrome

## BUSHING AND BEZEL



- N Nickel plated (standard)
- Other : on request.

## LED COLORS



- Blank Non-illuminated
- LOS Super Red
- LOY Yellow
- LOG Green
- LOB Blue
- LOW White
- LSG Red/green
- LYG Yellow/green

# IZ series

Rear mounted sealed pushbutton switches •  
bushing Ø 16 mm • metal • latching



## DISTINCTIVE FEATURES

- Rear mounting for easier installation
- Fixed or variable panel thickness
- Sealed to IP67
- Illuminated or non-illuminated
- Flat actuator for optional marking



## ENVIRONMENTAL SPECIFICATIONS

- Front panel sealing : IP67 according to IEC 60529
- Shock resistance : 100 g according to IEC 512-4, test 6c
- Vibration resistance : 10-500Hz - 10 g according to IEC 512-4, test 6d
- Salt spray : IEC 512-6, test 11f
- Robustness (non-illuminated) : IK06 according to EN 50102 (1 joule)
- Operating temperature : -40 °C to +85 °C (-40 °F to +185 °F)



## ELECTRICAL SPECIFICATIONS

- Max. current/voltage rating with resistive load :  
100 mA 48 VDC - 200,000 cycles
- Initial contact resistance : 100 mΩ max.
- Insulation resistance : 1 GΩ min. at 500 VDC
- Dielectric strength : 1,500 Vrms between terminals  
1,000 Vrms between terminals and frame



### LED COMPONENT SPECIFICATIONS

LED color	Forward current	Typ. forward voltage	Max. forward voltage
Super red (LOS)	20 mA	1.95 V	1.95 V
Yellow (LOY)	20 mA	2 V	2.05 V
Green (LOG)	20 mA	2.1 V	2.5 V
Blue (LOB)	20 mA	3.2 V	4 V

A resistor must be series-connected by the user.  
Resistor value =  $\frac{\text{supply voltage} - \text{LED forward voltage}}{\text{LED forward current}}$

On flying lead versions, the LED resistor can be integrated by APEM on request.

The company reserves the right to change specifications without notice.



**ERMEC, S.L. BARCELONA**  
C/ Francesc Teixidó, 22  
08918 Badalona SPAIN

Tel. +34 902 450 160  
info@ermec.com  
www.ermec.com

**ERMEC, S.L. - MADRID**  
C/ Puerto Rico, 4  
28222 Majadahonda (Madrid) SPAIN

bilbao@ermec.com  
portugal@ermec.com

# IZ series

Rear mounted sealed pushbutton switches •  
bushing Ø 16 mm • metal • latching

## GENERAL SPECIFICATIONS

- Panel thickness :
  - IZM : 3 mm (.118) max.
  - IZN : 4 mm (.157) max.
- Total travel : 2.5 mm (.098) ± 0.3 mm
- Typical operating force : 5 N ± 2 N
- Low level or mechanical life : 200,000 cycles
- Torque : IZN : 1 Nm max.  
IZM : 0.7 Nm max. applied to nut
- Soldering : 320 °C (608 °F) max. for 3 sec.

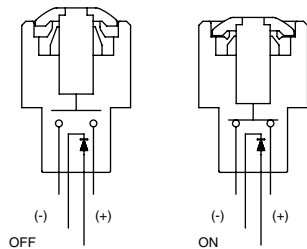
## MATERIALS

- Case : thermoplastic UL94-V0
- Plunger : polyamide
- Bushing/bezel : brass, nickel plated
- Contacts : silver, gold plated
- Multi-wire leads AWG20, section 0.6 mm<sup>2</sup>
- LED wire : AWG26, section 0.12 mm<sup>2</sup>
- Lens : polycarbonate
- Terminal seal : epoxy

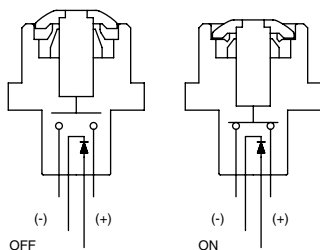
APEM products may be recycled at end-of-life for the re-claiming of valuable metal components.

## ELECTRICAL FUNCTIONS

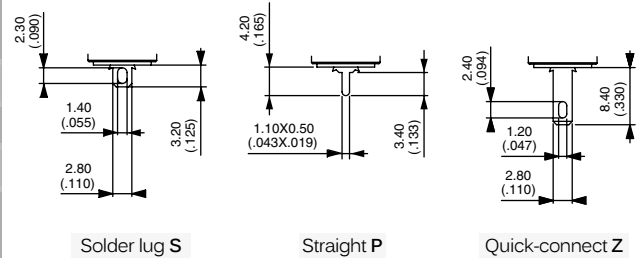
MODELS FOR VARIABLE PANEL THICKNESS (IZM)



MODELS FOR FIXED PANEL THICKNESS (IZN)

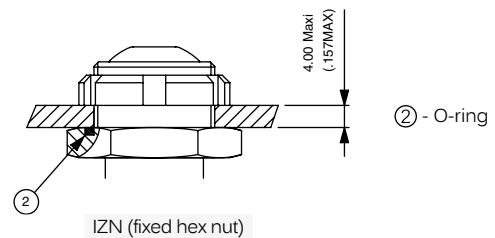
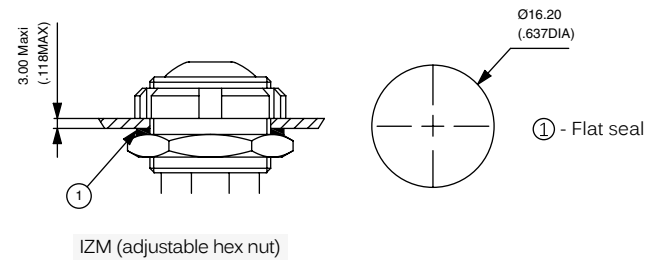


## TERMINALS

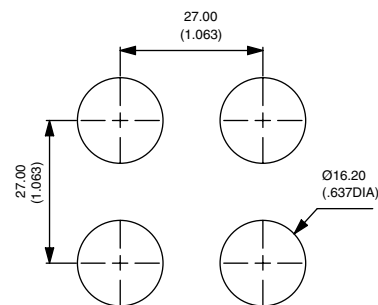


## MOUNTING

PANEL CUT-OUT



MATRIX MOUNTING

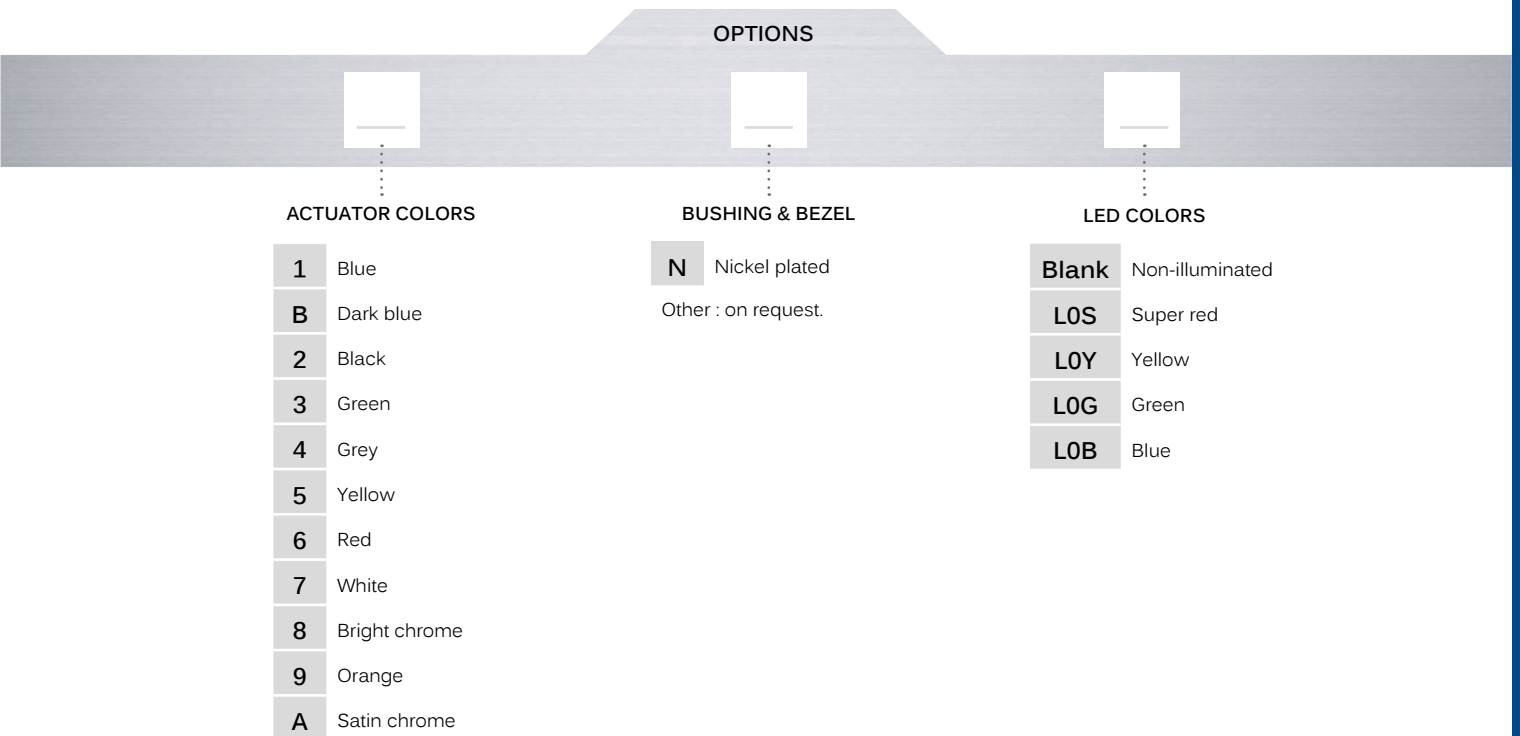
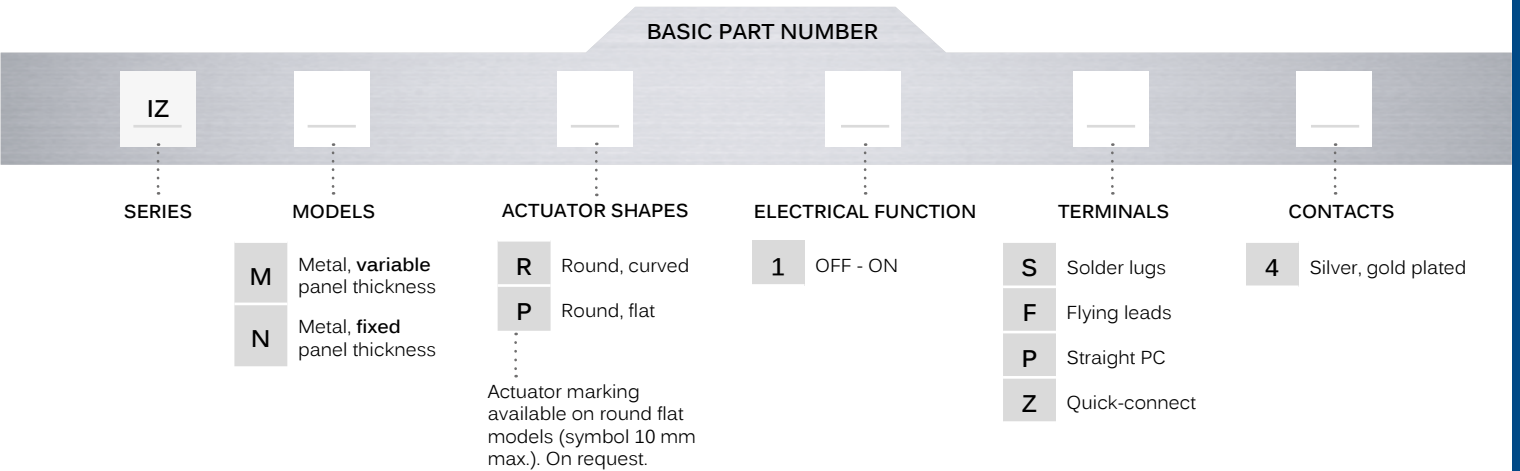




Rear mounted sealed pushbutton switches •  
bushing Ø 16 mm • metal • latching



## BUILD YOUR PART NUMBER



## ABOUT THIS SERIES

On the following pages, you will find successively basic part numbers of switches and options in the same order as in above chart.

- ⚠ **Notice** : please note that not all combinations of above numbers are available. Refer to the following pages for further information.
- 🔒 **A sealing boot** is available to protect the switches against frost and sand. See "Sealing Boots" section of website.
- 🔧 **Mounting accessories** : Standard hardware supplied :
  - IZM : 1 castellated nickel plated brass nut U6915 + 1 silicone flat seal + 1 hex nut 19 mm (.748) across flats 10-621.
  - IZN : 1 castellated nickel plated brass nut U6915 + 1 O-ring
 Wrench tool available under P/N U4028. Order separately.

# IZ series

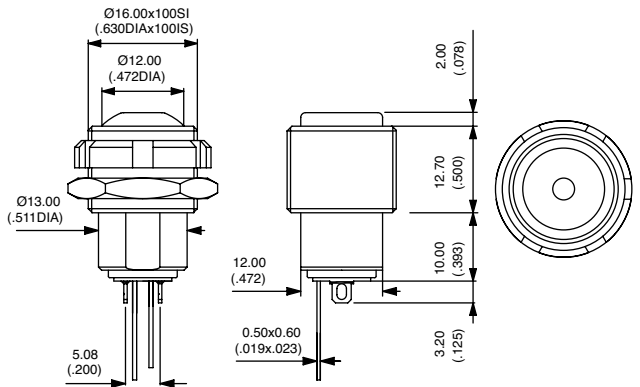
Rear mounted sealed pushbutton switches •  
bushing Ø 16 mm • metal • latching

## VARIABLE PANEL THICKNESS ILLUMINATED - SOLDER LUG TERMINALS



- Curved actuator  
**IZMR1S4**      OFF - ON
- Flat actuator  
**IZMP1S4**      OFF - ON

Also available with straight PC terminals : **IZM•1P4**  
& quick-connect terminals : **IZM•1Z4**.

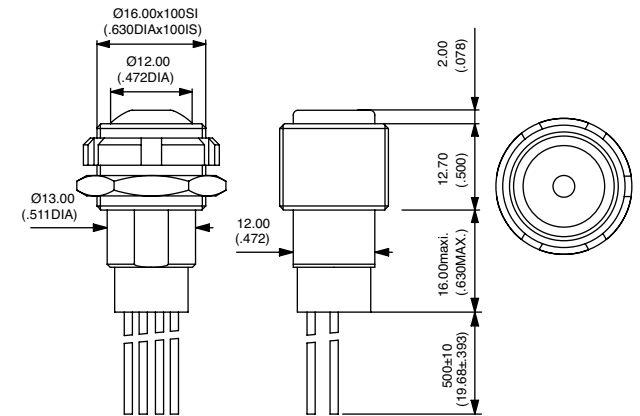


## VARIABLE PANEL THICKNESS ILLUMINATED - FLYING LEAD TERMINALS



- Curved actuator  
**IZMR1F4**      OFF - ON
- Flat actuator  
**IZMP1F4**      OFF - ON

Wire colors : black : contact, red : LED anode (+), blue : LED cathode (-)

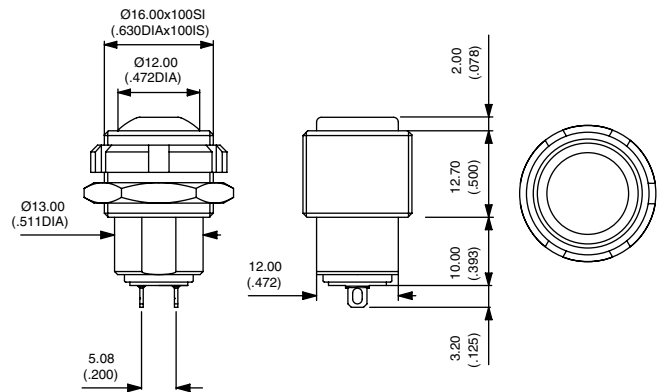


## VARIABLE PANEL THICKNESS NON-ILLUMINATED - SOLDER LUG TERMINALS



- Curved actuator  
**IZMR1S4**      OFF - ON
- Flat actuator  
**IZMP1S4**      OFF - ON

Also available with straight PC terminals : **IZM•1P4**  
and quick-connect terminals : **IZM•1Z4**.

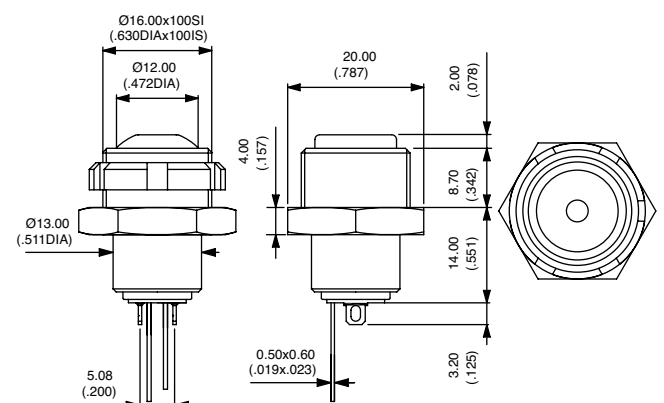


## FIXED PANEL THICKNESS ILLUMINATED - SOLDER LUG TERMINALS



- Curved actuator  
**IZNR1S4**      OFF - ON
- Flat actuator  
**IZNP1S4**      OFF - ON

Also available with straight PC terminals : **IZN•1P4**  
& quick-connect terminals : **IZN•1Z4**.



Rear mounted sealed pushbutton switches •  
bushing Ø 16 mm • metal • latching

## FIXED PANEL THICKNESS ILLUMINATED - FLYING LEAD TERMINALS



Curved actuator	<b>IZNR1F4</b>	OFF - ON
Flat actuator	<b>IZNP1F4</b>	OFF - ON

Wire colors : black : contact, red : LED anode (+), blue : LED cathode (-)

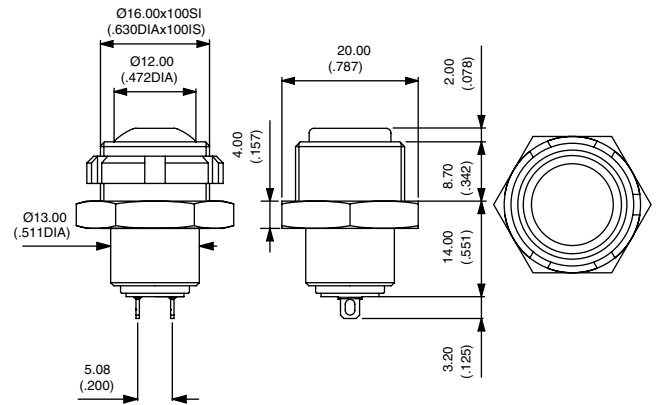
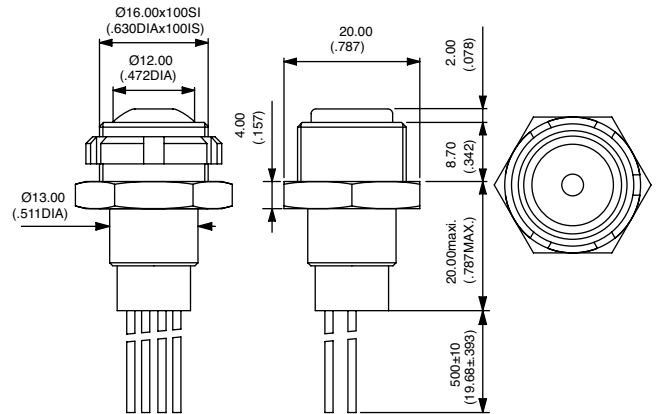
## FIXED PANEL THICKNESS NON-ILLUMINATED - SOLDER LUG TERMINALS



Curved actuator	<b>IZNR1S4</b>	OFF - ON
Flat actuator	<b>IZNP1S4</b>	OFF - ON

Also available with straight PC terminals : **IZN•1P4**  
and quick-connect terminals : **IZN•314**.

For non-illuminated FLYING LEAD versions, refer to illuminated models  
Non-illuminated have 2 wires only.

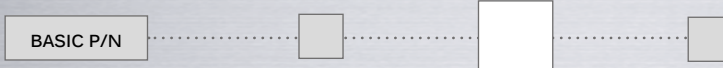


### ACTUATOR COLORS



- 1 Blue
- B Dark blue
- 2 Black
- 3 Green
- 4 Grey
- 5 Yellow
- 6 Red
- 7 White
- 8 Bright chrome
- 9 Orange
- A Satin chrome

### BUSHING AND BEZEL

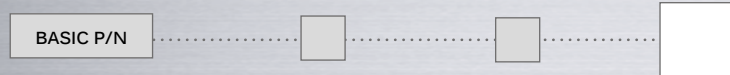


**N** Nickel plated (standard)  
Other : on request.

# IZ series

Rear mounted sealed pushbutton switches •  
bushing Ø 16 mm • metal • latching

## LED COLORS



<b>Blank</b>	Non-illuminated
<b>LOS</b>	Super Red
<b>LOY</b>	Yellow
<b>LOG</b>	Green
<b>LOB</b>	Blue

# IZ series

Rear mounted sealed pushbutton switches •  
bushing Ø 16 mm • momentary



## DISTINCTIVE FEATURES

Rear mounting for easier installation

Momentary models

Screw version available up to 4 A

Sealed to IP67

Illuminated or non-illuminated



## ENVIRONMENTAL SPECIFICATIONS

- Front panel sealing : IP67 according to IEC 60529
- Shock resistance : 100 g according to IEC 512-4, test 6c
- Vibration resistance : 10-500Hz - 10 g according to IEC 512-4, test 6d
- Salt spray : IEC 512-6, test 11f
- Operating temperature : -40 °C to +85 °C (-40 °F to +185 °F)



## ELECTRICAL SPECIFICATIONS

- Max. current/voltage rating with resistive load :
  - Gold plated silver contacts (code 4) : 200 mA 48 VDC
  - Silver contacts (code 2) - screw terminals : 4 A 48 VDC
- Electrical life at full load : 500,000 cycles
- Initial contact resistance : 100 mΩ max.
- Insulation resistance : 1 GΩ min. at 500 VDC
- Dielectric strength : 1,000 Vrms 50 Hz



### LED COMPONENT SPECIFICATIONS

LED color	Forward current	Typ. forward voltage	Max. forward voltage
Super red (L0S)	20 mA	2.1 V	2.3 V
Yellow (L0Y)	20 mA	2.1 V	2.3 V
Green (L0G)	20 mA	2.1 V	2.3 V
Blue (L0B)	20 mA	3.2 V	3.8 V
White (L0W)	20 mA	3.35 V	4.25 V
Red/green (LSG)	20 mA	Red: 1.95 V / green: 2.1 V	2.5 V
Yellow/green (LYG)	20 mA	Yellow: 2 V / green: 2.1 V	2.5 V

A resistor must be series-connected by the user.  
Resistor value =  $\frac{\text{supply voltage} - \text{LED forward voltage}}{\text{LED forward current}}$

On flying lead versions, the LED resistor can be integrated by APEM on request.

The company reserves the right to change specifications without notice.

# IZ series

Rear mounted sealed pushbutton switches •  
bushing Ø 16 mm • momentary

## GENERAL SPECIFICATIONS

- Panel thickness : 3 mm (.118) max.
- Total travel : 1.8 mm (.070) ± 0.3 mm
- Typical operating force : 6 N ± 2 N
- Low level or mechanical life : 1,000,000 cycles
- Torque : 0.7 Nm max. applied to nut
- Soldering : 320 °C (662 °F) max. for 3 sec.

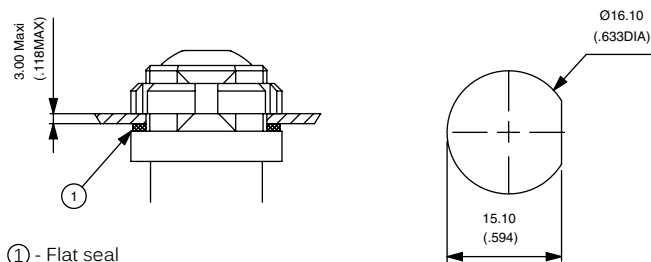
## MATERIALS

- Case : thermoplastic UL94-V0
- Plunger : polyamide
- Bushing/bezel : polyamide
- Contacts :  
4 : silver, gold plated  
2 : silver (screw terminals)
- Multi-wire leads AWG20, section 0.6 mm<sup>2</sup>
- LED wire : AWG26, section 0.12 mm<sup>2</sup>
- Lens : polycarbonate
- Terminal seal : epoxy (except screw terminals)

APEM products may be recycled at end-of-life for the re-claiming of valuable metal components.

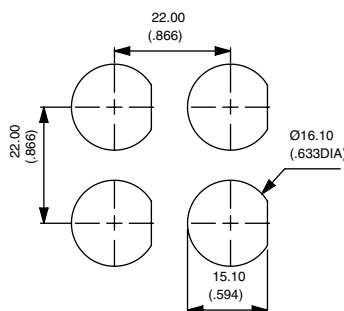
## MOUNTING

### PANEL CUT-OUT



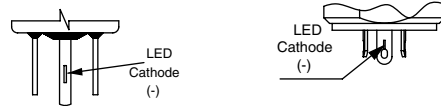
① - Flat seal

### MATRIX MOUNTING

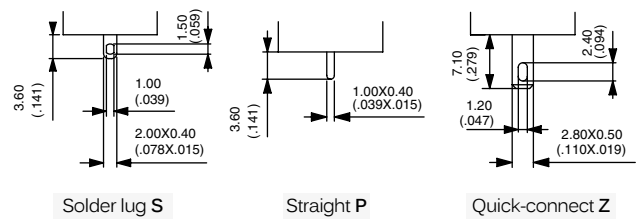


## TERMINALS

### ILLUMINATED

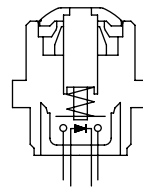


### NON-ILLUMINATED



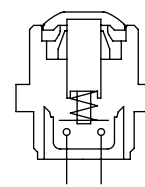
## ELECTRICAL FUNCTIONS

### ILLUMINATED MODELS



Function 3 (NO)

### NON-ILLUMINATED MODELS

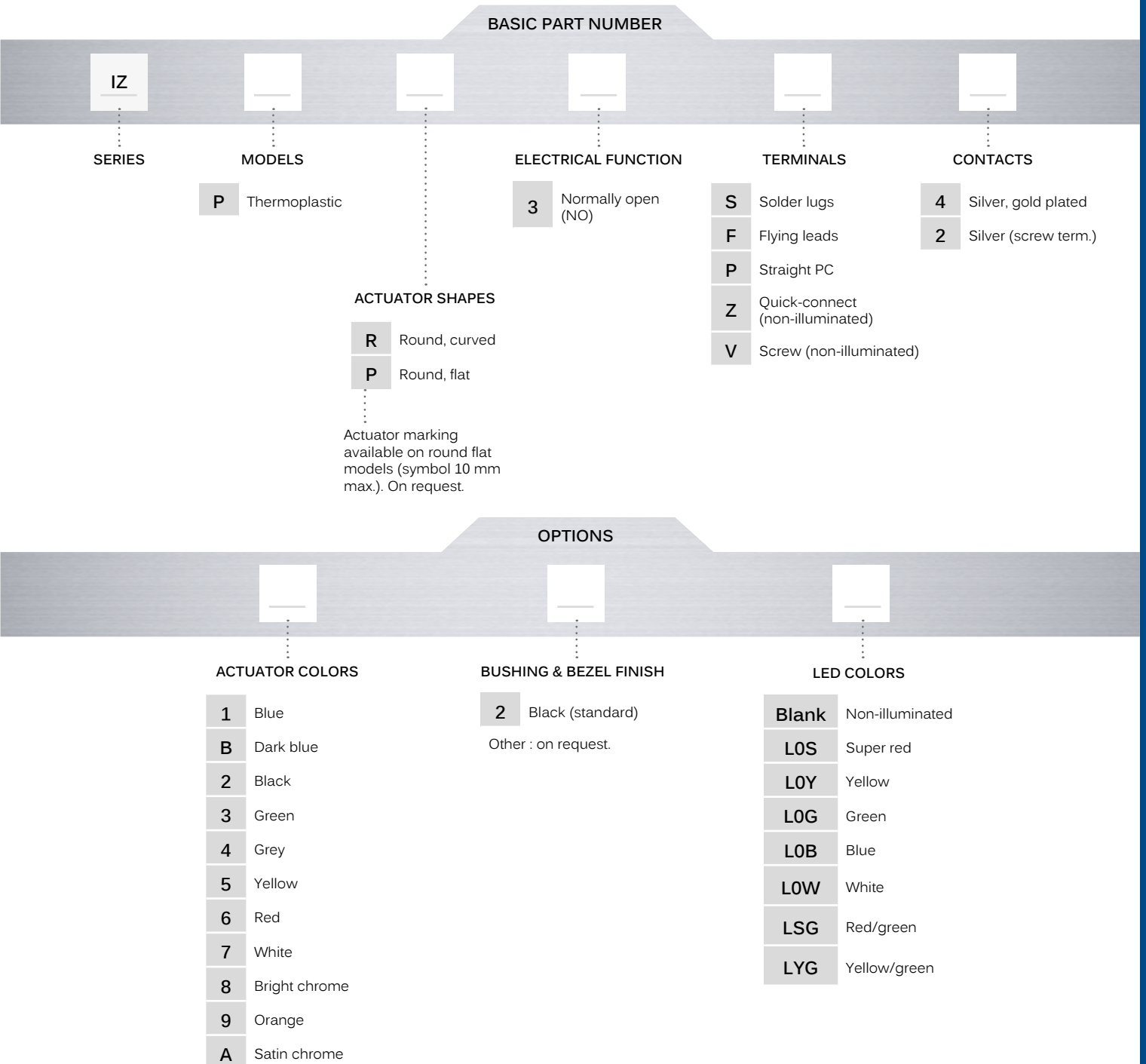


Function 3 (NO)

Rear mounted sealed pushbutton switches •  
bushing Ø 16 mm • momentary



## BUILD YOUR PART NUMBER



## ABOUT THIS SERIES

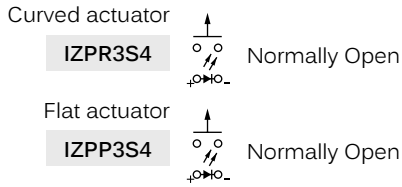
On the following pages, you will find successively basic part numbers of switches and options in the same order as in above chart.

- Notice** : please note that not all combinations of above numbers are available. Refer to the following pages for further information.
- A sealing boot** is available to protect the switches against frost and sand. See "Sealing Boots" section of website.
- Mounting accessories** : Standard hardware supplied : 1 castellated black plastic nut U4249 and 1 silicone flat seal. Wrench tool available under P/N U4028. Order separately.

# IZ series

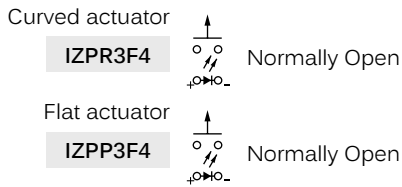
Rear mounted sealed pushbutton switches •  
bushing Ø 16 mm • momentary

## ILLUMINATED - SOLDER LUG TERMINALS



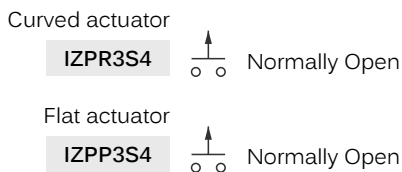
Also available with straight PC terminals : **IZP•3P4**.  
LED color is indicated by the bottom of the switch.

## ILLUMINATED - FLYING LEAD TERMINALS



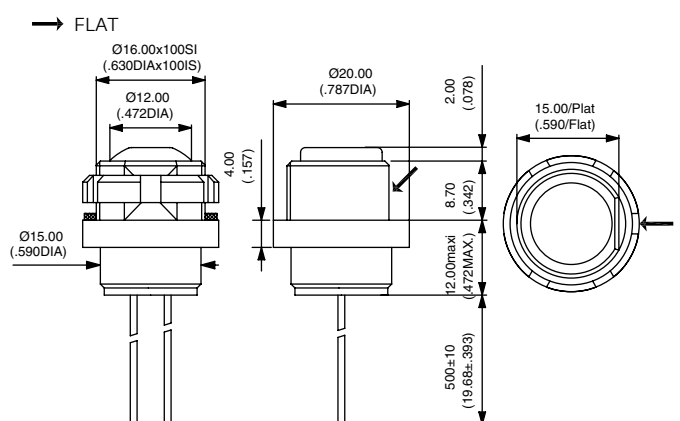
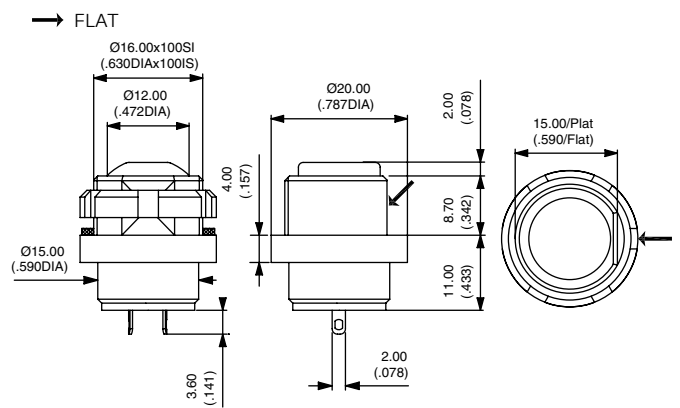
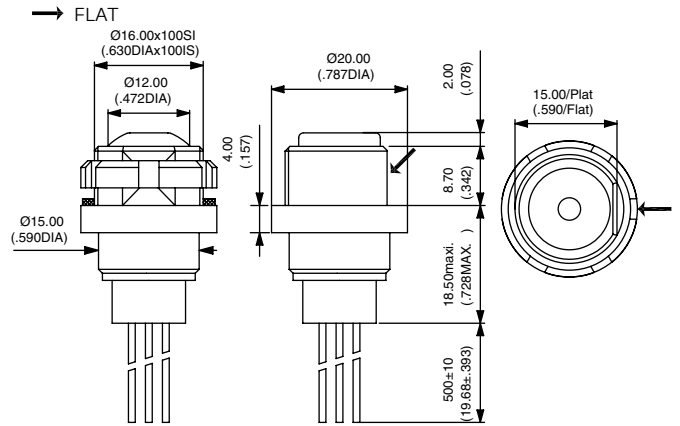
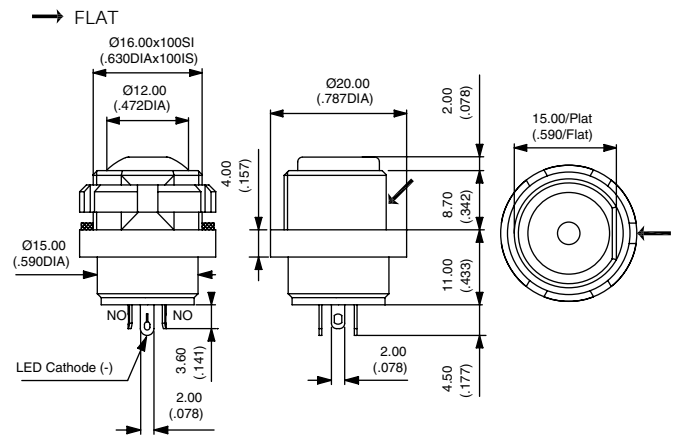
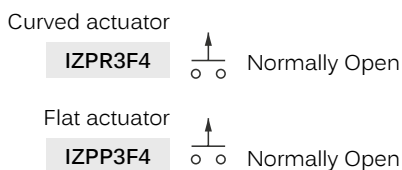
Wire colors : black : NO contact, red : LED anode(+), blue : LED cathode (-)

## NON-ILLUMINATED - SOLDER LUG TERMINALS



Also available with straight PC terminals : **IZP•3P4**  
and quick-connect terminals : **IZP•3Z4**.

## NON-ILLUMINATED - FLYING LEAD TERMINALS





# IZ series

Rear mounted sealed pushbutton switches •  
bushing Ø 16 mm • momentary

## NON-ILLUMINATED - SCREW TERMINALS SILVER CONTACTS



Curved actuator

IZPR3V2



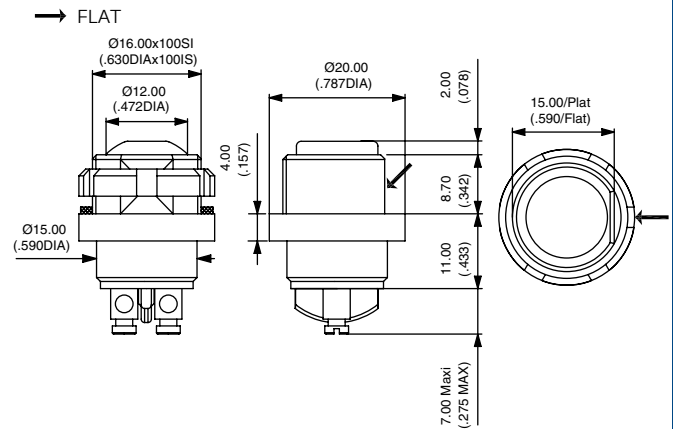
Normally Open

Flat actuator

IZPP3V2



Normally Open



### ACTUATOR COLORS



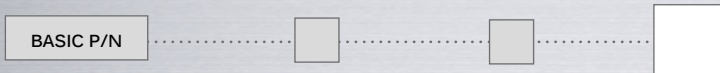
- |   |               |
|---|---------------|
| 1 | Blue          |
| B | Dark blue     |
| 2 | Black         |
| 3 | Green         |
| 4 | Grey          |
| 5 | Yellow        |
| 6 | Red           |
| 7 | White         |
| 8 | Bright chrome |
| 9 | Orange        |
| A | Satin chrome  |

### BUSHING AND BEZEL



- 2 Black (standard)  
Other : on request.

### LED COLORS



- |       |                 |
|-------|-----------------|
| Blank | Non-illuminated |
| LOS   | Super Red       |
| LOY   | Yellow          |
| LOG   | Green           |
| LOB   | Blue            |
| LOW   | White           |
| LSG   | Red/green       |
| LYG   | Yellow/green    |

# IZ series

Rear mounted sealed pushbutton switches •  
bushing Ø 16 mm • latching



## DISTINCTIVE FEATURES

- Rear mounting for easier installation
- Latching action models
- Sealed to IP67
- Illuminated or non-illuminated
- Flat actuator for optional marking



## ENVIRONMENTAL SPECIFICATIONS

- Front panel sealing : IP67 according to IEC 60529
- Shock resistance : 100 g according to IEC 512-4, test 6c
- Vibration resistance : 10-500Hz - 10 g according to IEC 512-4, test 6d
- Salt spray : IEC 512-6, test 11f
- Operating temperature : -40 °C to +85 °C (-40 °F to +185 °F)



## ELECTRICAL SPECIFICATIONS

- Max. current/voltage rating with resistive load :  
100 mA 24 VDC - 200,000 cycles
- Initial contact resistance : 100 mΩ max.
- Insulation resistance : 1 GΩ min. at 500 VDC
- Dielectric strength : 1.500 Vrms 50 Hz between terminals



### LED COMPONENT SPECIFICATIONS

LED color	Forward current	Typ. forward voltage	Max. forward voltage
Super red (L0S)	20 mA	1.95 V	1.95 V
Yellow (L0Y)	20 mA	2 V	2.05 V
Green (L0G)	20 mA	2.1 V	2.5 V
Blue (L0B)	20 mA	3.2 V	4 V

A resistor must be series-connected by the user.  
Resistor value =  $\frac{\text{supply voltage} - \text{LED forward voltage}}{\text{LED forward current}}$

On flying lead versions, the LED resistor can be integrated by APEM on request.

The company reserves the right to change specifications without notice.

# IZ series

Rear mounted sealed pushbutton switches •  
bushing Ø 16 mm • latching

## GENERAL SPECIFICATIONS

- Panel thickness : 3 mm (.118) max.
- Total travel : 2.5 mm (.098) ± 0.3 mm
- Typical operating force : 5 N ± 2 N
- Low level or mechanical life : 200,000 cycles
- Torque : 0.7 Nm max. applied to nut
- Soldering : 320 °C (662 °F) max. for 3 sec.

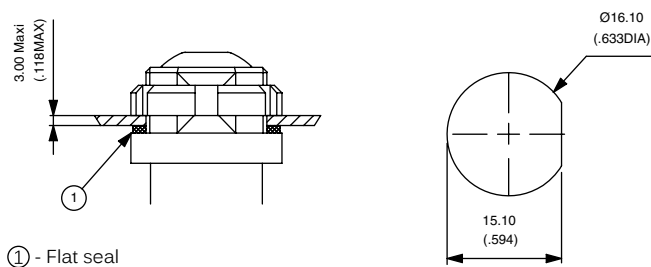
## MATERIALS

- Case : thermoplastic UL94-V0
- Plunger : polyamide
- Bushing/bezel : polyamide
- Contacts : silver, gold plated
- Multi-wire leads AWG20, section 0.6 mm<sup>2</sup>
- LED wire : AWG26, section 0.12 mm<sup>2</sup>
- Lens : polycarbonate
- Terminal seal : epoxy

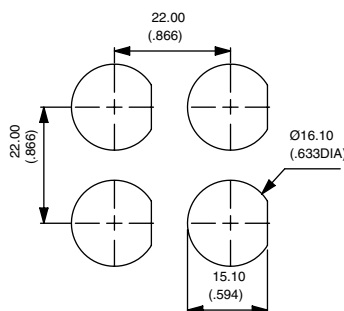
APEM products may be recycled at end-of-life for the re-claiming of valuable metal components.

## MOUNTING

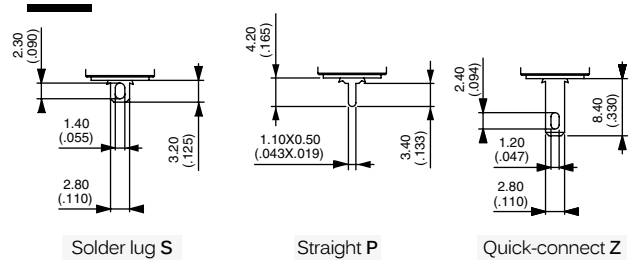
### PANEL CUT-OUT



### MATRIX MOUNTING

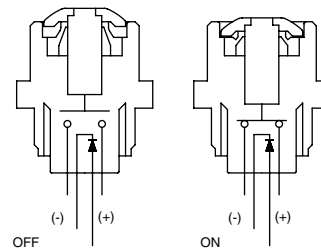


## TERMINALS

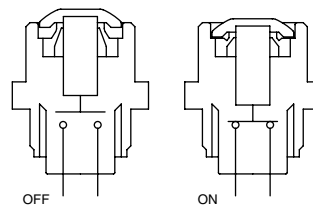


## ELECTRICAL FUNCTIONS

### ILLUMINATED MODELS



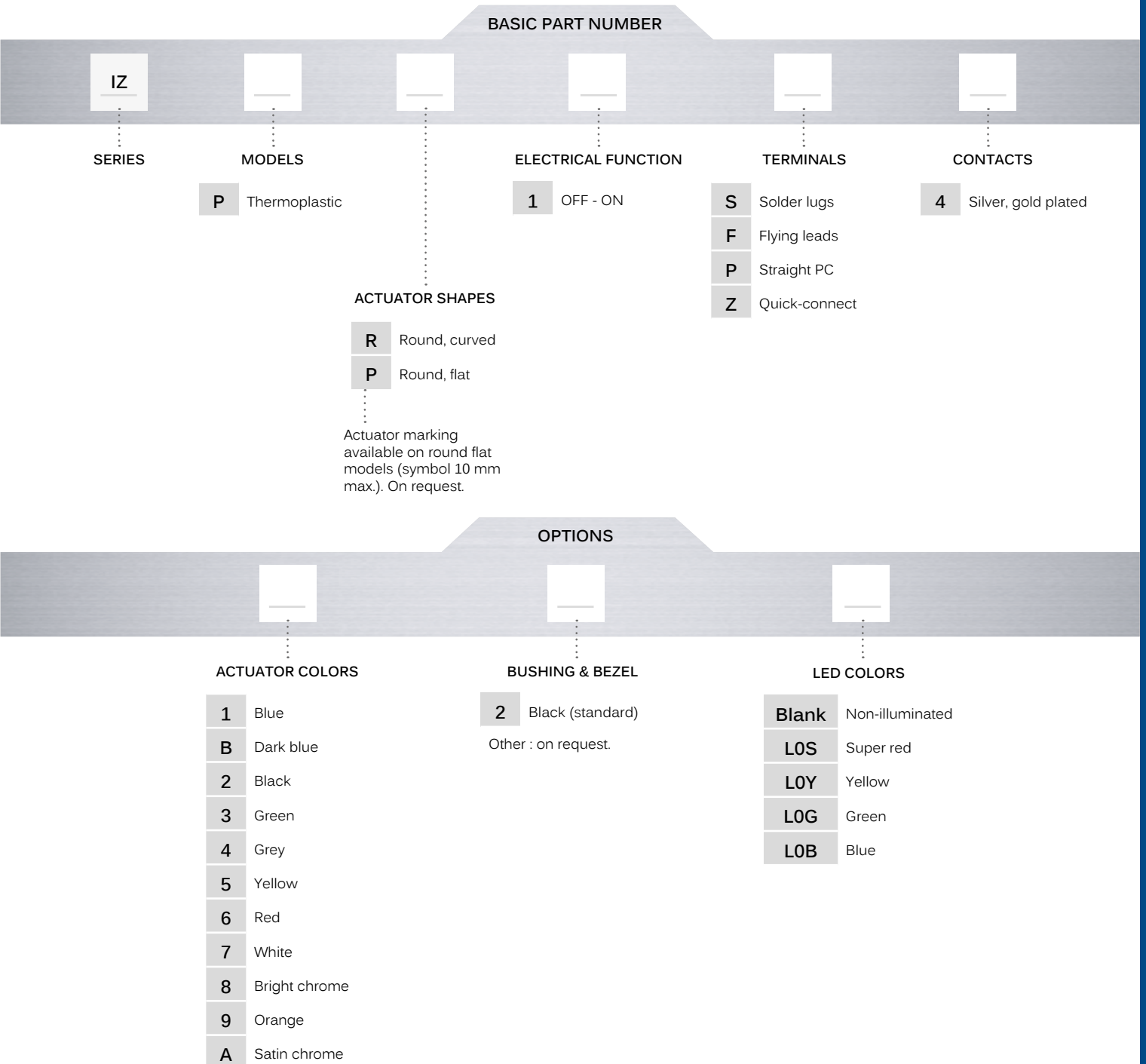
### NON-ILLUMINATED MODELS



Rear mounted sealed pushbutton switches •  
bushing Ø 16 mm • latching



## BUILD YOUR PART NUMBER



## ABOUT THIS SERIES

On the following pages, you will find successively basic part numbers of switches and options in the same order as in above chart.

- Notice** : please note that not all combinations of above numbers are available. Refer to the following pages for further information.
- A sealing boot** is available to protect the switches against frost and sand. See "Sealing Boots" section of website.
- Mounting accessories** : Standard hardware supplied : 1 castellated black plastic nut U4249 and 1 silicone flat seal. Wrench tool available under P/N U4028. Order separately.

# IZ series

Rear mounted sealed pushbutton switches •  
bushing Ø 16 mm • latching

## ILLUMINATED - SOLDER LUG TERMINALS



- Curved actuator  
**IZPR1S4** OFF - ON
- Flat actuator  
**IZPP1S4** OFF - ON

Also available with straight PC terminals : **IZP•1P4**  
and quick-connect terminals : **IZP•1Z4**.

## ILLUMINATED - FLYING LEAD TERMINALS



- Curved actuator  
**IZPR1F4** OFF - ON
- Flat actuator  
**IZPP1F4** OFF - ON

Wire colors : black : NO contact, red : LED anode(+), blue : LED cathode (-)

## NON- ILLUMINATED - SOLDER LUG TERMINALS



- Curved actuator  
**IZPR1S4** OFF - ON
- Flat actuator  
**IZPP1S4** OFF - ON

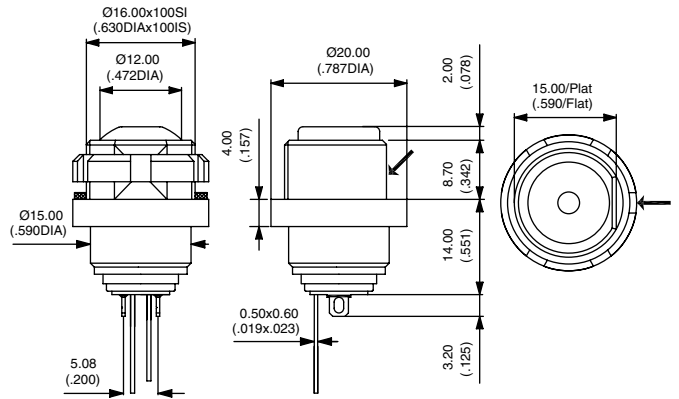
Also available with straight PC terminals : **IZP•1P4**  
and quick-connect terminals : **IZP•1Z4**.

## NON-ILLUMINATED - FLYING LEAD TERMINALS

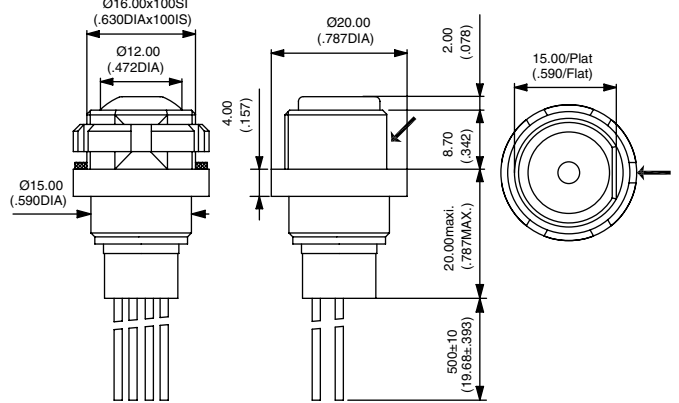


- Curved actuator  
**IZPR1F4** OFF - ON
- Flat actuator  
**IZPP1F4** OFF - ON

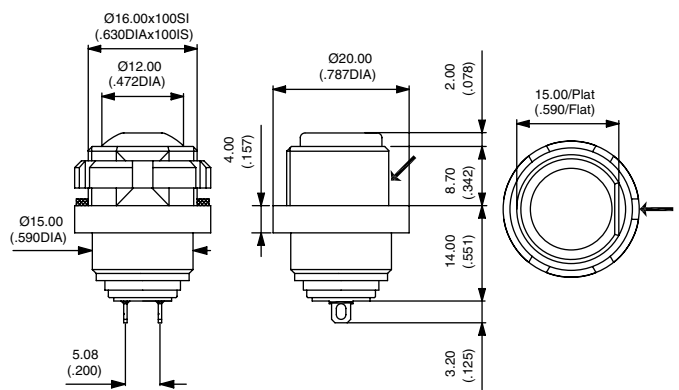
→ FLAT



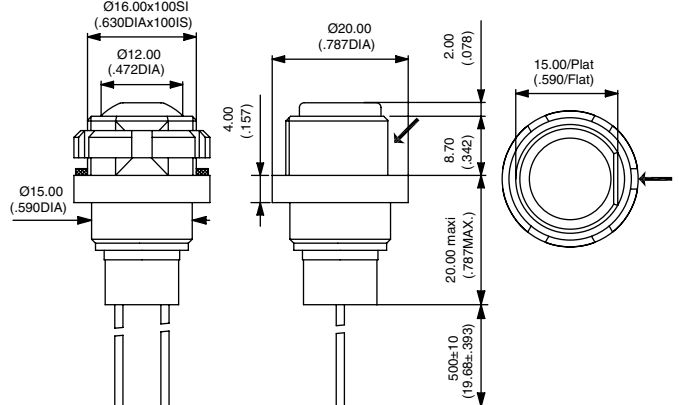
→ FLAT



→ FLAT



→ FLAT



# IZ series

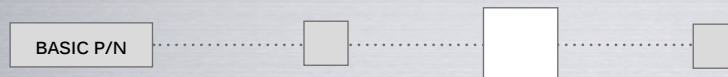
Rear mounted sealed pushbutton switches •  
bushing Ø 16 mm • latching

## ACTUATOR COLORS



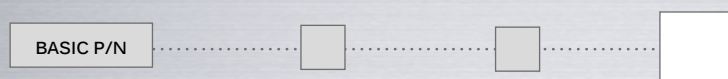
- 1 Blue
- B Dark blue
- 2 Black
- 3 Green
- 4 Grey
- 5 Yellow
- 6 Red
- 7 White
- 8 Bright chrome
- 9 Orange
- A Satin chrome

## BUSHING AND BEZEL



- B Black (standard)
- Other : on request.

## LED COLORS



- Blank Non-illuminated
- LOS Super Red
- LOY Yellow
- LOG Green
- LOB Blue