

# LEDULES II



**NEW**

**ERMEC**  
www.ermec.com  
Distribución de componentes  
eléctricos y electrónicos

Tel.: (+34) 902 450 160  
Fax: (+34) 902 433 088  
[ermec@ermec.com](mailto:ermec@ermec.com)  
[www.ermec.com](http://www.ermec.com)

 **CML**  
INNOVATIVE TECHNOLOGIES  
WHERE INNOVATION COMES TO LIGHT

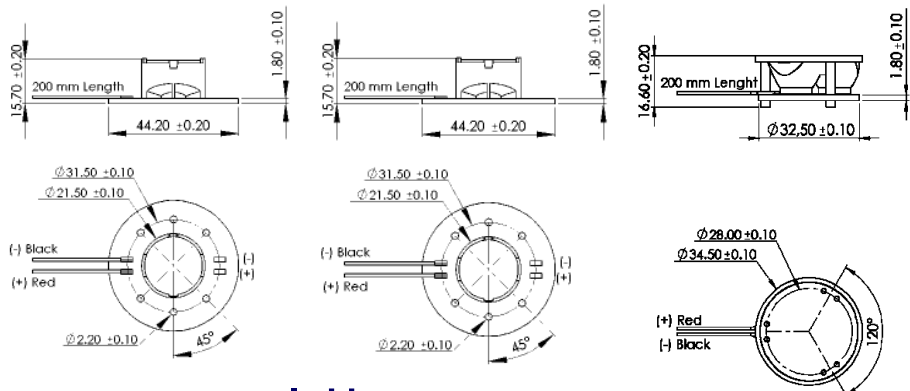
# LEDULES II



## LEDules2 I,3,4 W



Partnumber	<b>ILLxB0006x</b>	<b>ILLxB0001x</b>	<b>ILLxB0003x</b>
description	1W LED module	3W LED module	4W LED module
Luminous flux	up to 40lm	up to 64lm	up to 96lm
max input current	350mA	700mA	350mA
maximum power consumption	1,2W	2,8W	3,6W
compatible driver	CMPSCC350S, CMPSCC3507S, CMPSCC35012R, CMPSCC350L	CMPSCC700S, CMPSCC7007S, CMPSCC70012R, CMPSCC70024R	CMPSCC350S, CMPSCC3507S, CMPSCC35012R, CMPSCC350L
compatible heat sink	CMHS0445, CMHS0945, CMHS1445	CMHS0445, CMHS0945, CMHS1445	CMHS0445, CMHS0945, CMHS1445
recommended PCB temperature	65°C	65°C	65°C
max PCB temperature	100°C	100°C	100°C
thermal resistance	32 K/W	32 K/W	31 K/W
projected life (@65° pcb temp.)	50000h	50000h	50000h
typical lumen maintenance (@65° pcb temp.)	70%	70%	70%
colour temperature range (WW/CW)	3250K - 6400K	3250K - 6400K	3250K - 6400K
additional colours	red, green, blue, cyan, amber	red, green, blue, cyan, amber	red, green, blue, cyan, amber
optics available (full beam angle)	10°, 50°	10°, 50°	11°, 24°
dimensions	Ø 44,2mm	Ø 44,2mm	Ø 32,5mm



**ERMEC**

www.ermec.com

Distribución de componentes eléctricos y electrónicos

Tel.: (+34) 902 450 160

Fax: (+34) 902 433 088

[ermec@ermec.com](mailto:ermec@ermec.com)

[www.ermec.com](http://www.ermec.com)

[www.cml-it.com](http://www.cml-it.com)



## LEDules2 9,14,RGB, 8W



### ILLxBx004x

9W LED module

up to 225lm

700mA

8,4W

CMPSCC70012R,  
CMPSCC70024R,  
CMPSCC700L

CMHS0945, CMHS1445

65°C

100°C

28 K/W

50000h

70%

3000K - 6500K

red, green, blue, cyan,  
amber

12°, 50°

Ø 38,6mm

### ILLxBx002x

14W LED module

up to 375lm

700mA

14W

CMPSCC70024R,  
CMSPCC700L

CMHS1445

65°C

100°C

23 K/W

50000h

70%

3000K - 6500K

red, green, blue, cyan,  
amber

12°, 50°

Ø 44,1mm

### ILLxB0004Q

RGB LED module

up to 160lm

700mA

7,5W

CMHS0945, CMHS1445

65°C

100°C

28 K/W

50000h

70%

12°

Ø 38,6mm

### ILLxB0005x

8W LED strip

up to 240lm

350mA

7,2W

CMPSCC3507S,  
CMPSCC35012R,  
CMPSCC350L

65°C

100°C

32 K/W

50000h

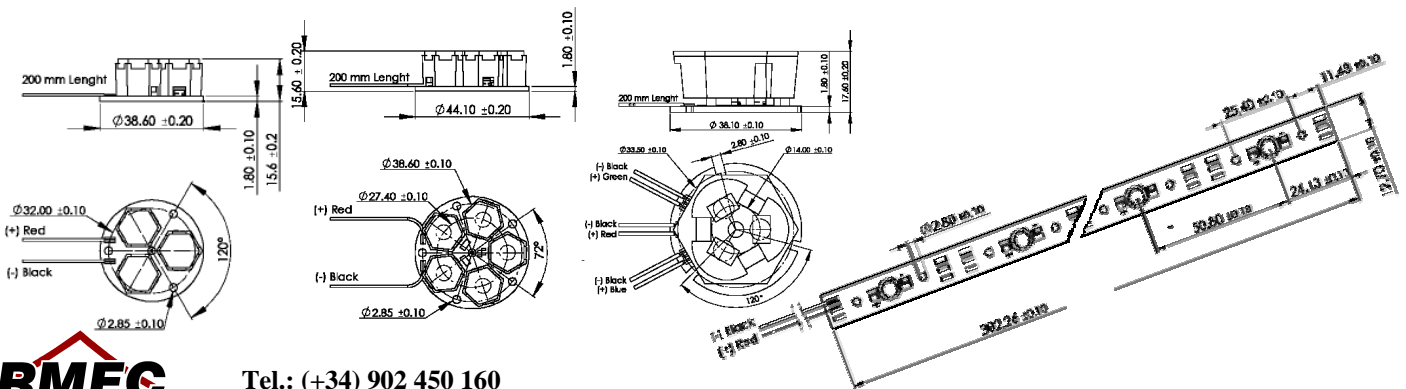
70%

3250K - 6400K

red, green, blue, cyan,  
amber

-

12,7 x 302,2 mm



# ERMEC

www.ermec.com

Distribución de componentes  
eléctricos y electrónicos

Tel.: (+34) 902 450 160

Fax: (+34) 902 433 088

[ermec@ermec.com](mailto:ermec@ermec.com)

[www.ermec.com](http://www.ermec.com)

[www.cml-it.com](http://www.cml-it.com)



## Drivers

### High Voltage (AC/DC)

Partnumber	CMPSCC350S	CMPSCC700S	CMPSCC3507S	CMPSCC7007S	CMPSCC35012R	CMPSCC70012R	CMPSCC70024R
Constant Current	350 mA	700 mA	350 mA	700 mA	350 mA	700 mA	700 mA
Output Voltage (V)	12V Max.	6V Max.	24V Max.	12V Max.	4V~40V	4V~20V	4V~40V
Output Power	4,2W Max.	4,2W Max.	8,4W Max.	8,4W Max.	14W Max.	14W Max.	24W Max.
Max. Temp. at Tc.	70°C	70°C	70°C	70°C	75°C	75°C	75°C
Dimensions	43x42x23 mm	43x42x23 mm	66x35x27 mm	66x35x27 mm	135x39x31 mm	135x39x31 mm	170x42x33 mm
Weight	55g	55g	80g	80g	115g	115g	150g



Input Voltage (VAC)	100~240V	Short Circuit Protection	Yes	Overvoltage Protection	Yes	Ambient Temperature	-10°C~+50°C
Input Frequency (Hz)	50/60 Hz	Overload Protection	Yes	Thermal Protection	Yes	Storage Temperature	-40°C~+85°C

### Low Voltage (DC/DC)

Partnumber	CMPSCC350L	CMPSCC700L
Primary Voltage (VDC)	5,2~35V	5,8~35V
Drop Voltage (VDC)	1,8V	2,5V
Output Current	350mA	700mA
Output Power (W)	12W Max.	24W Max.
Efficiency	85~93%	70~90%

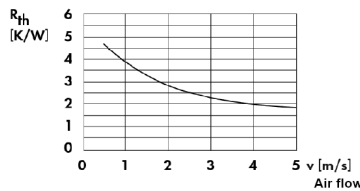
Inverse-polarity protection	Yes
Short Circuit Protection	Yes
Thermal Protection	Yes
Ambient Temperature	-40°C~+85°C
Dimension	23(L)*23(W)*7(H)mm
Weight	22g



## Heat Sinks

Metal alloy  
Weight  
Thermal specification

**CMHS0445**  
AL99,5 (220W/mK)  
13,8g

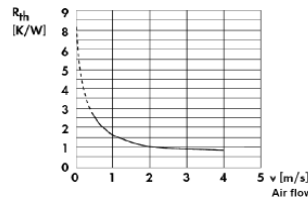


Mounting by  
Dimensions

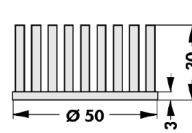
Clamp, thermal adhesive or adhesive foil  
CML recommends BERQUIST Bond-Ply 100



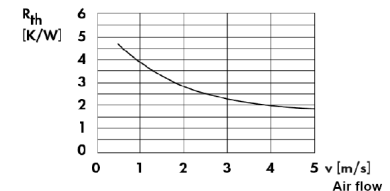
**CMHS0945**  
AL99,5 (220W/mK)  
45,3g



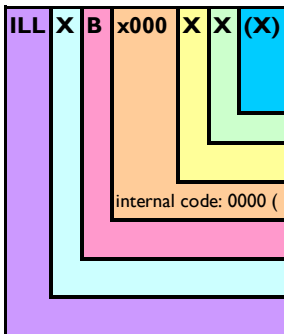
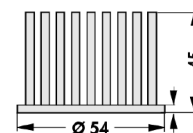
Clamp, thermal adhesive or adhesive foil  
CML recommends BERQUIST Bond-Ply 100



**CMHS1445**  
AL99,5 (220W/mK)  
74g



Clamp, thermal adhesive or adhesive foil  
CML recommends BERQUIST Bond-Ply 100



## How to build a LEDules 2 part number

wiring	○	not wired
colour and beam identification	<b>A</b>	cold white narrow beam blank
power identification	<b>B</b>	warm white narrow beam
internal code: 0000 ( 1000= 9W,14W in whites only)	<b>C</b>	blue narrow beam
revision no.	<b>D</b>	cyan narrow beam
optic assembly code	<b>E</b>	green narrow beam
illuminating LED light	<b>F</b>	amber narrow beam
	<b>G</b>	red narrow beam
	<b>H</b>	cold white wide beam
	<b>I</b>	warm white wide beam
	<b>J</b>	blue wide beam
	<b>K</b>	cyan wide beam
	<b>L</b>	green wide beam
	<b>M</b>	amber wide beam
	<b>N</b>	red wide beam

For more details or to order LEDules 2, contact :  
CML-IT Robert Bunsen Str.1 67098 Bad Durkheim-Germany  
Tel: +49 (0) 6322 9567-0 Email: [europa@cml-it.com](mailto:europa@cml-it.com)

Note: shaded options only  
with a 3 (with optics version)