

Controlmec TM is a five position integrated switch solution, designed for easy activations for indoor and non-dusty applications, to control a unit, navigate in a display, operate auxiliary equipment indoor on a vehicle, boat or similar. The Controlmec can also be supplied as an IP67 sealed solution. The Controlmec exist of:

- One complete solid cap
- The unit panel plate (customers design)
- The PCB including the switches

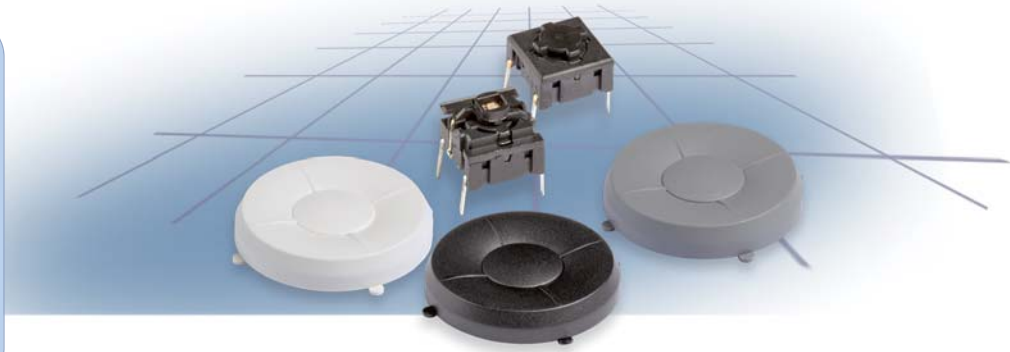
The PCB with the switches, shall be assembled according to the MEC datasheet, and mounted to the back side of the front panel.

The Controlmec is an extension of the Navimec system which includes the Multimec switches, of excellent high quality and long lifetime. Configurations can be made with through hole or SMD switch versions, provided they are accurately positioned.

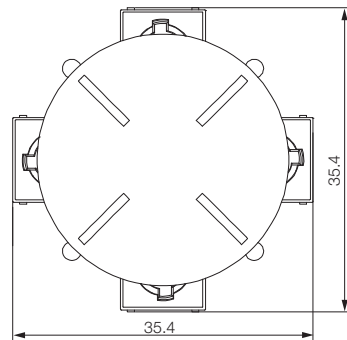
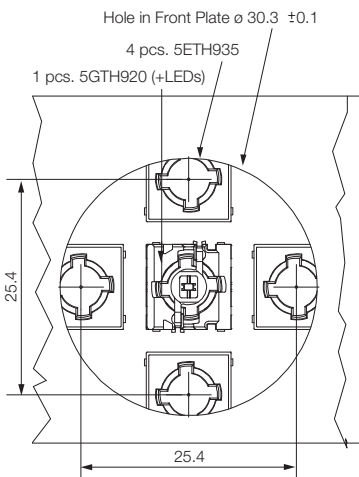
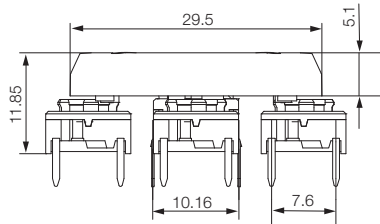
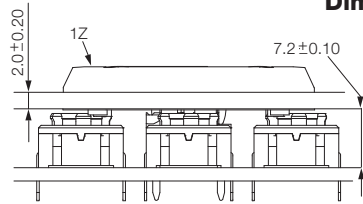


Technical Data

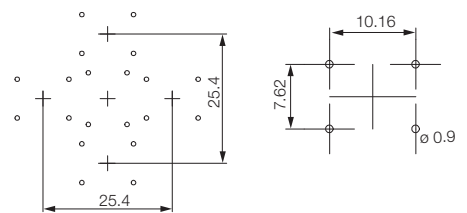
- through-hole or SMD
- 50mA/24VDC
- single pole/momentary
- 10.000.000 operations life time
- IP67 sealing
- temperature range:
LED: -40/+85°C
solid cap +65°C
transparent +85°C
- actuation force: 2.0, 3.5, 6.5 N



Dimensions 1Z



Recommended PCB layout



HOW TO ORDER

5 G

Switch **Mounting**
TH9 through-hole
SH9 surface mount

Actuation force
20
35
65

LED
01 blue
22 green
42 yellow
61 white
82 red
2242 green/yellow
8222 red/green
8242 red/yellow

Cap
1Z

Colour code
00 blue
02 green
03 grey
04 yellow
06 white
08 red
09 black
11 transparent
16 frosted white

5 E

Switch **Mounting**
TH9 through-hole
SH9 surface mount

Actuation force
20
35
65

See colour codes on our website: www.mec.dk

Dimensions (mm) Unless otherwise specified, all tolerances ±0,2

Ordering example (unsealed version) 1Z: 1 x 5GTH920 + 4 x 5ETH935 + 1Z03

ERMEC, S.L. BARCELONA
 C/ Francesc Teixidó, 22
 E-08918 Badalona
 (Spain)

Tel.: (+34) 902 450 160
Fax: (+34) 902 433 088
info@ermec.com
www.ermec.com

ERMEC, S.L. MADRID
 C/ Sagasta, 8, 1ª planta
 E-28004 Madrid
 (Spain)

PORTUGAL
portugal@ermec.com
BILBAO
bilbao@ermec.com