



MEC's exclusive snap-on keycap in 10.4 mm total height. Optimized for use with foil overlays.

The 1JS keycaps are available in nine standard colours: 00 blue/02 green/03 grey/04 yellow/06 white/08 red/09 black/11 transparent/16 frosted white.

In combination with the switch the 1JS becomes the lowest illuminated keycap possible; especially designed for foil overlays and featuring soft edges for extended foil overlay lifetime. The 1JS 11 transparent/16 frosted white has superior illumination potential when combined with the newest Multimec 5G switch. Illumination can be either surface mount or through-hole. Cap retention is optimized with an innovative "snap-on" system.



Distribuidor:



Distribución de componentes eléctricos y electrónicos

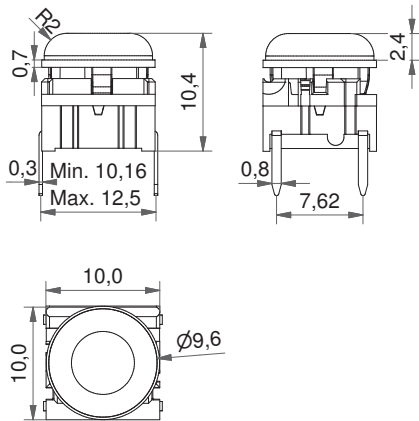
PORTUGAL
portugal@ermec.com
 BILBAO
bilbao@ermec.com

Technical Data:

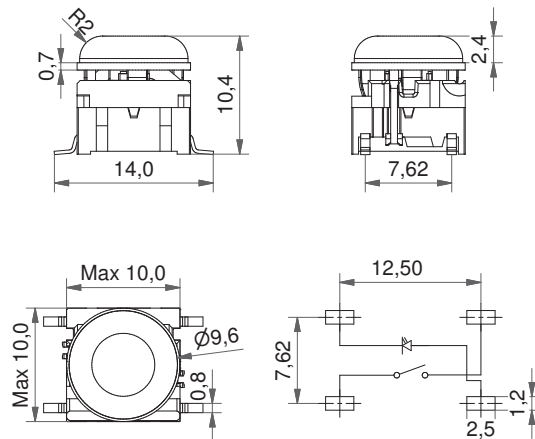
- through-hole or SMD
- 50mA/24VDC
- single pole/momentary
- 10.000.000 operations lifetime
- IP67 sealing
- temperature range:
std. temp: -40/+115°C
high temp: -40/+160°C
keycap: -40/+85°C
- actuation force: 2.0, 3.5, 6.5 N



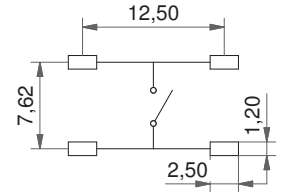
Dimensions (through-hole)



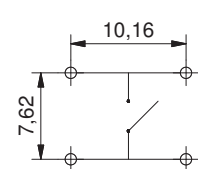
Dimensions (SMD w/LED)



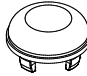
PCB Layout SMD

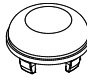


PCB Layout TH



HOW TO ORDER

5 G	<input type="checkbox"/>	<input type="checkbox"/>	<input type="checkbox"/>	+	1 J S	<input type="checkbox"/>
Switch	Mounting	Actuation force	LED		Cap	Colour code
	TH9 through-hole SH9 surface mount	20 35 65	01 blue 22 green 42 yellow 61 white 82 red 2242 green/yellow 8222 red/green			11 transparent 16 frosted white

5 G	<input type="checkbox"/>	<input type="checkbox"/>	+	1 J S	<input type="checkbox"/>
Switch	Mounting	Actuation force		Cap	Colour code
	TH9 through-hole SH9 surface mount	20 35 65		1JS solid colour 	00 blue 02 green 03 grey 04 yellow 06 white 08 red 09 black

Dimensions (mm) Unless otherwise specified, all tolerances +/- 0,2

Ordering example: 5GTH935+1JS08 without illumination
5GTH93501+1JS16 with illumination

See colour codes on our website: www.mec.dk

For product updates and/or changes of specifications please see www.mec.dk