

MicroCon

www.erni.com



ERMEC, S.L. BARCELONA
C/ Francesc Teixidó, 22
E-08918 Badalona
(Spain)

Tel.: (+34) 902 450 160
Fax: (+34) 902 433 088
info@ermec.com
www.ermec.com

ERMEC, S.L. MADRID
C/ Sagasta, 8, 1ª planta
E-28004 Madrid
(Spain)

PORTUGAL
portugal@ermec.com
BILBAO
bilbao@ermec.com



www.erni.com



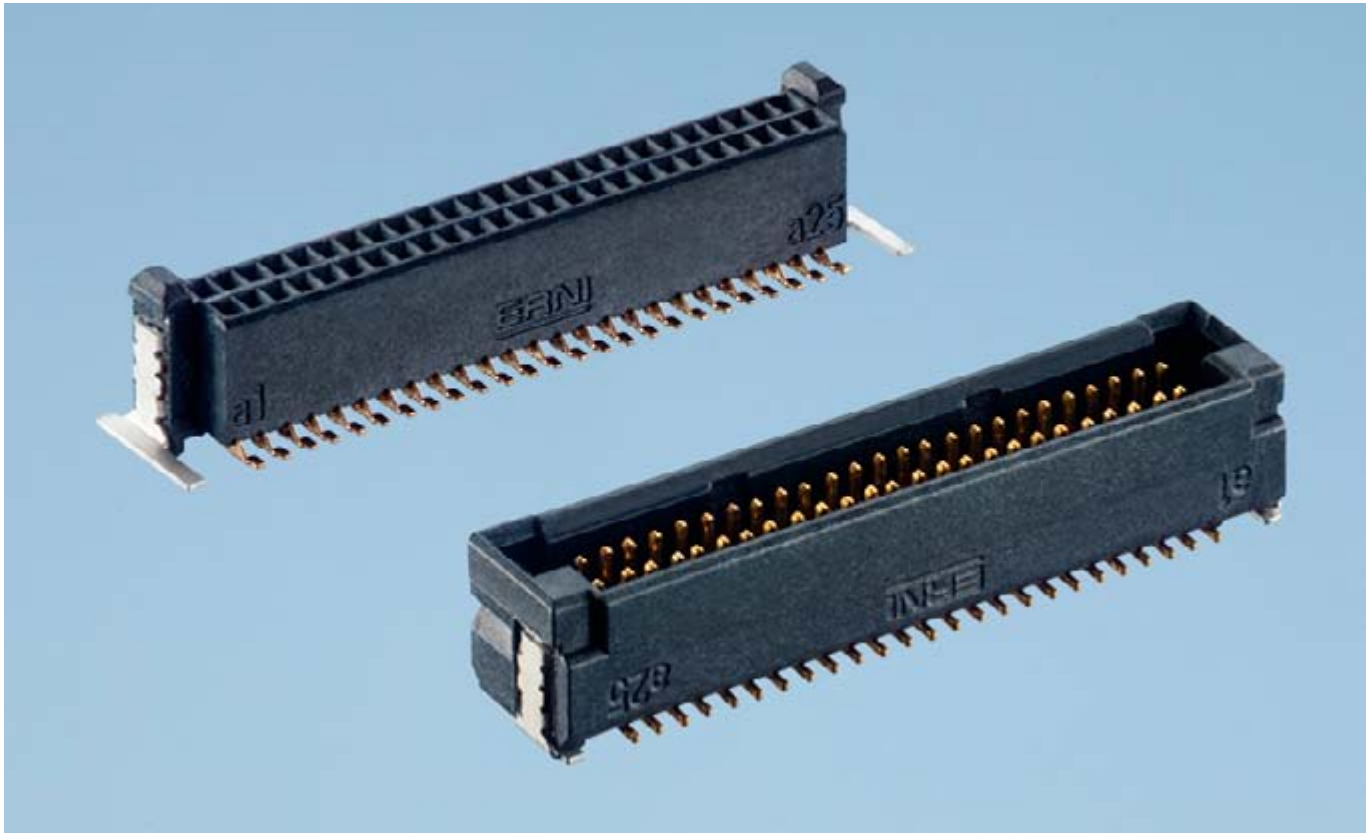
ERMEC, S.L. BARCELONA
C/ Francesc Teixidó, 22
E-08918 Badalona
(Spain)

Tel.: (+34) 902 450 160
Fax: (+34) 902 433 088
info@ermec.com
www.ermec.com

ERMEC, S.L. MADRID
C/ Sagasta, 8, 1ª planta
E-28004 Madrid
(Spain)

PORTUGAL
portugal@ermec.com
BILBAO
bilbao@ermec.com

MicroCon - 0.8 mm Dual-Row Connector System



The dual-row MicroCon series with 0.8 mm pitch is ideal for various demanding applications in the industrial, medical, lighting, automotive and consumer market. Due to the small dimensions - the 50-pin male connectors show dimensions of only 24.2 mm x 4.7 mm with different heights - robustness was crucial during the development. The male connectors are provided with reinforced side walls. Secure mating is ensured by coding and blind mate guide alignments, providing an increased locking range. A unique feature for this miniaturized device size is the double-sided spring contact. The reliable and high quality spring contacts are based on a proven and patented principle, which ERNI Electronics has been continuously scaled down for smaller dimensions.

To support various PCB applications parallel (Mezzanine), orthogonal (90 °) and coplanar configurations are available. With different heights for the male and female connectors Board-to-Board distances from 5 mm to 20 mm can be realized for Mezzanine applications. Despite the miniaturization the new connectors offer a high mating tolerance with allowed misalignment tolerances of longitudinal and transverse axes of ± 0.7 mm. The allowed angular inclination tolerance is specified with ± 4 degree. The male connector is available with SMT termination. The robust plastic housing of the female connector withstands high temperature and is suitable for leadfree reflow soldering. Tape and reel packaging supports automatic assembly.

Initially available

- Vertical Female Connector (4 mm height)
- Vertical Male Connector (1 mm height)
- Angled versions, additional pin variants and heights as well as IDC-Cable assemblies will follow

Features

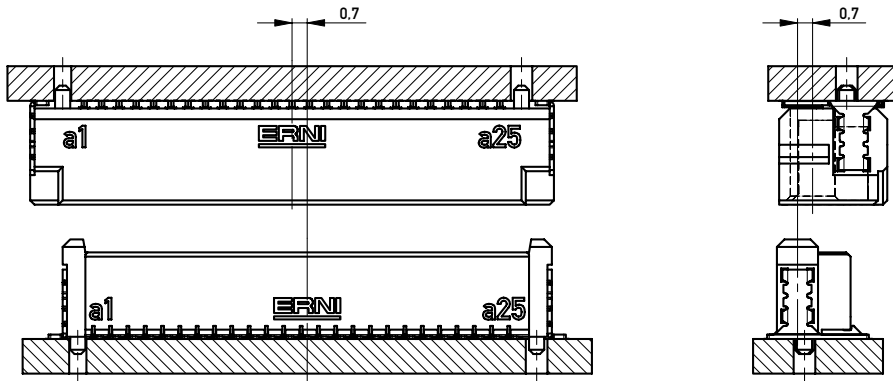
- Pitch: 0.8 mm
- Number of Pins: 12 - 140
- Board-to-Board distances: 5 - 20 mm
- Class 1 > 500 mating cycles
- Tin-plated pins
- Current capacity per contact: up to 0.5 A bei 20°C
- Termination: SMT
- Tape and reel packaging for automatic assembly

MicroCon - 0.8 mm Dual-Row Connector System

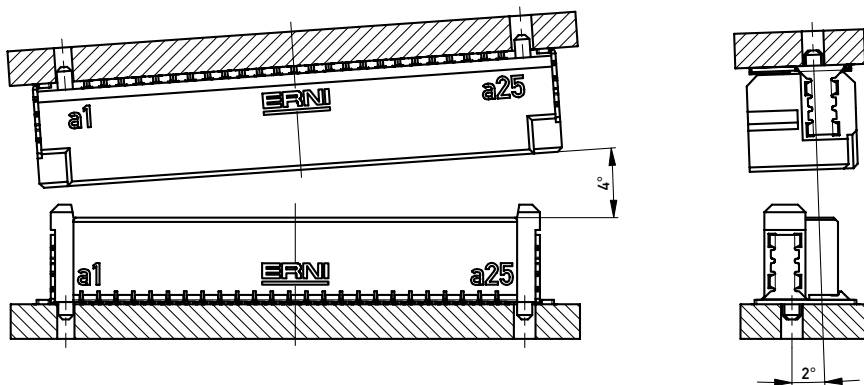
Mating Conditions



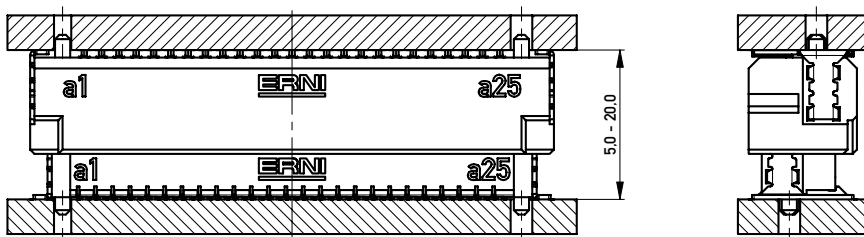
Allowed misalignment tolerances longitudinal and transverse axes ± 0.7 mm



Allowed angular inclination tolerances, longitudinal $\pm 4^\circ$, transverse $\pm 2^\circ$



Board-to-Board distance: 5.0 - 20.0 mm; wipe length max. 1.9 mm



ERMEC
www.ermec.com
ERMEC, S.L. BARCELONA
C/ Francesc Teixidó, 22
E-08918 Badalona
(Spain)

Tel.: (+34) 902 450 160
Fax: (+34) 902 433 088
info@ermec.com
www.ermec.com

ERMEC, S.L. MADRID
C/ Sagasta, 8, 1ª planta
E-28004 Madrid
(Spain)

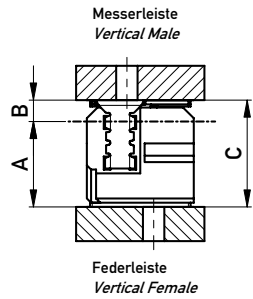
PORTUGAL
portugal@ermec.com
BILBAO
bilbao@ermec.com



MicroCon - 0.8 mm Dual-Row Connector System

Mating Conditions

Mezzanine (Board-to-Board)

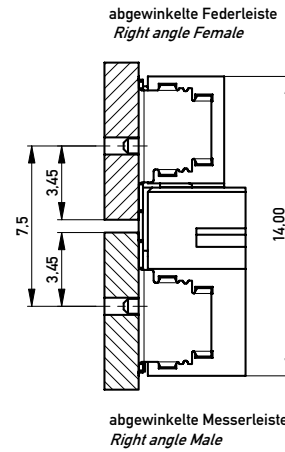


10,0	10,0	20,00
10,0	9,0	19,00
8,0	10,0	18,00
8,0	9,0	17,00
6,0	10,0	16,00
6,0	9,0	15,00
4,0	10,0	14,00
4,0	9,0	13,00
10,0	2,0	12,00
10,0	1,0	11,00
8,0	2,0	10,00
8,0	1,0	9,00
6,0	2,0	8,00
6,0	1,0	7,00
4,0	2,0	6,00
4,0	1,0	5,00
A	B	C

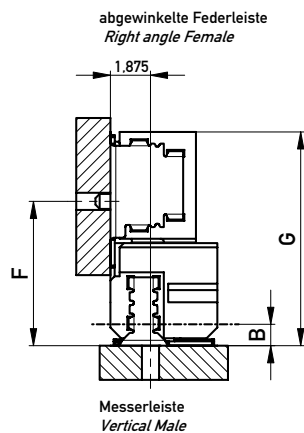
A = Höhe Federleiste
 Height Female Connector

B = Höhe Messerleiste
 Height Male Connector

Extender Card

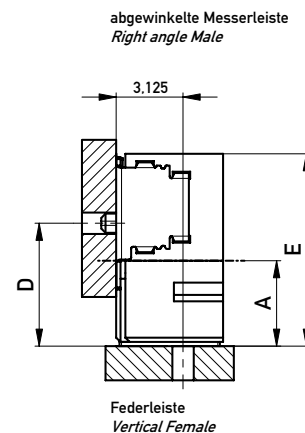


Backplane-Daughter Card



10,0	12,75	16,00
9,0	10,75	14,00
2,0	8,75	12,00
1,0	6,75	10,00
B	F	G

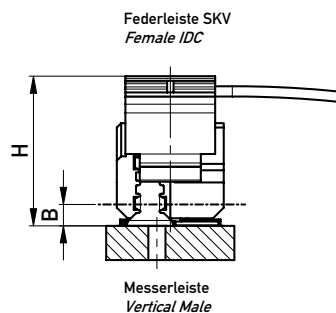
B = Höhe Messerleiste
 Height Male Connector



10,0	11,75	15,00
8,0	9,75	13,00
6,0	7,75	11,00
4,0	5,75	9,00
A	D	E

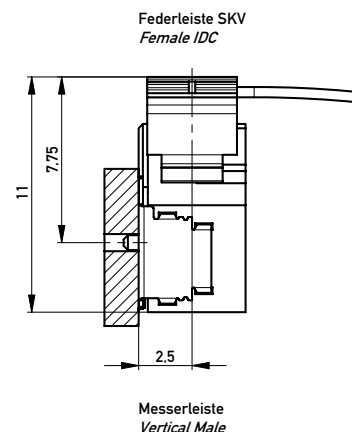
A = Höhe Federleiste
 Height Female Connector

Board-to-Cable



10,0	16,00
9,0	15,00
2,0	8,00
1,0	7,00
B	H

B = Höhe Messerleiste
 Height Male Connector





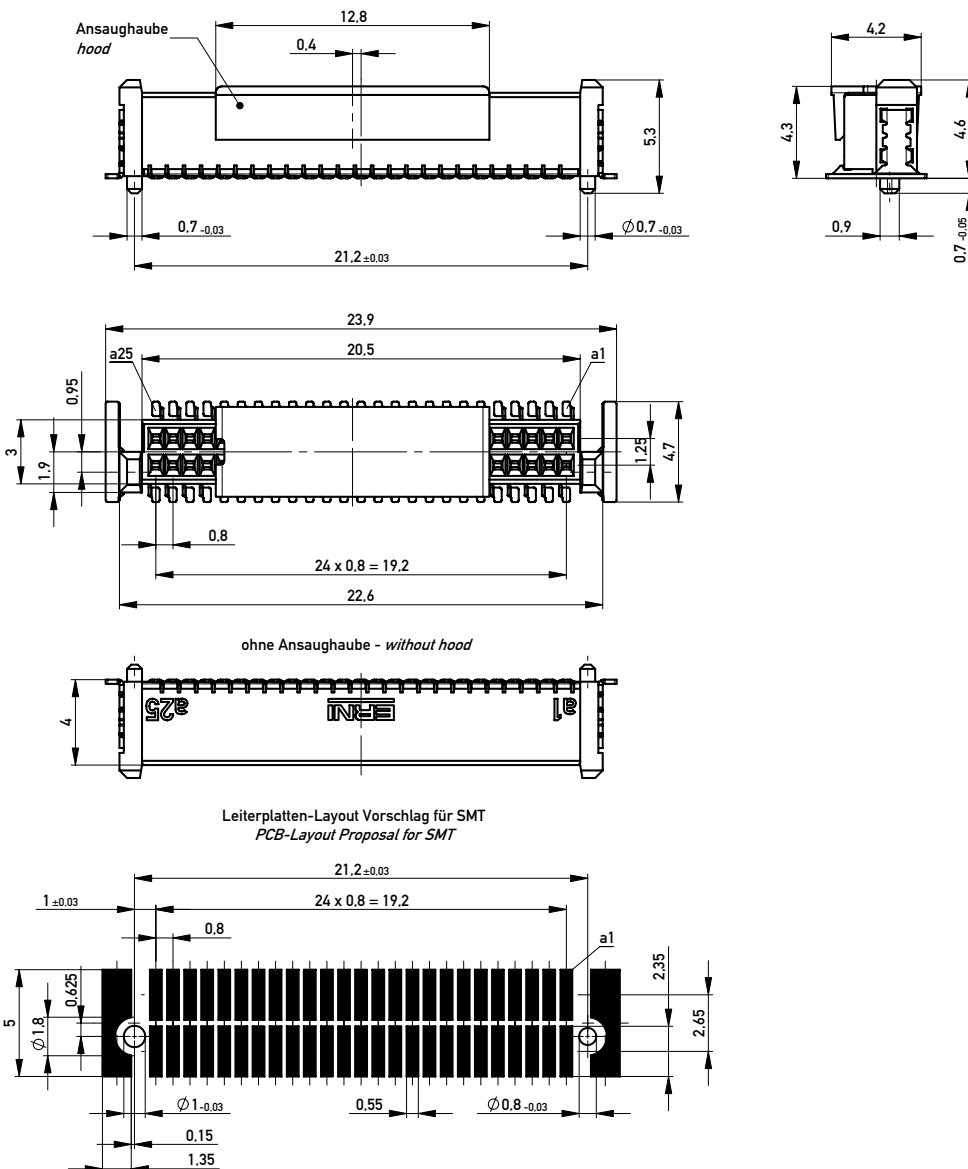
MicroCon - 0.8 mm Dual-Row Connector System

Vertical Female Connectors



- 0.8 mm pitch
- Tin plated pins
- Suitable for lead-free reflow soldering
- Tape and reel packaging for automatic assembly

Dimensional Drawing



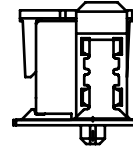
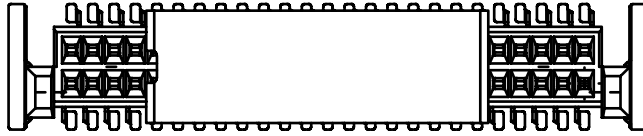


MicroCon - 0.8 mm Dual-Row Connector System

Vertical Female Connectors

Ordering Information

No. of Pins	Unmated Stacking Height	Termination	Packaging	Part Number
50	4 mm	SMT	Tape and reel/840 pcs.	294006





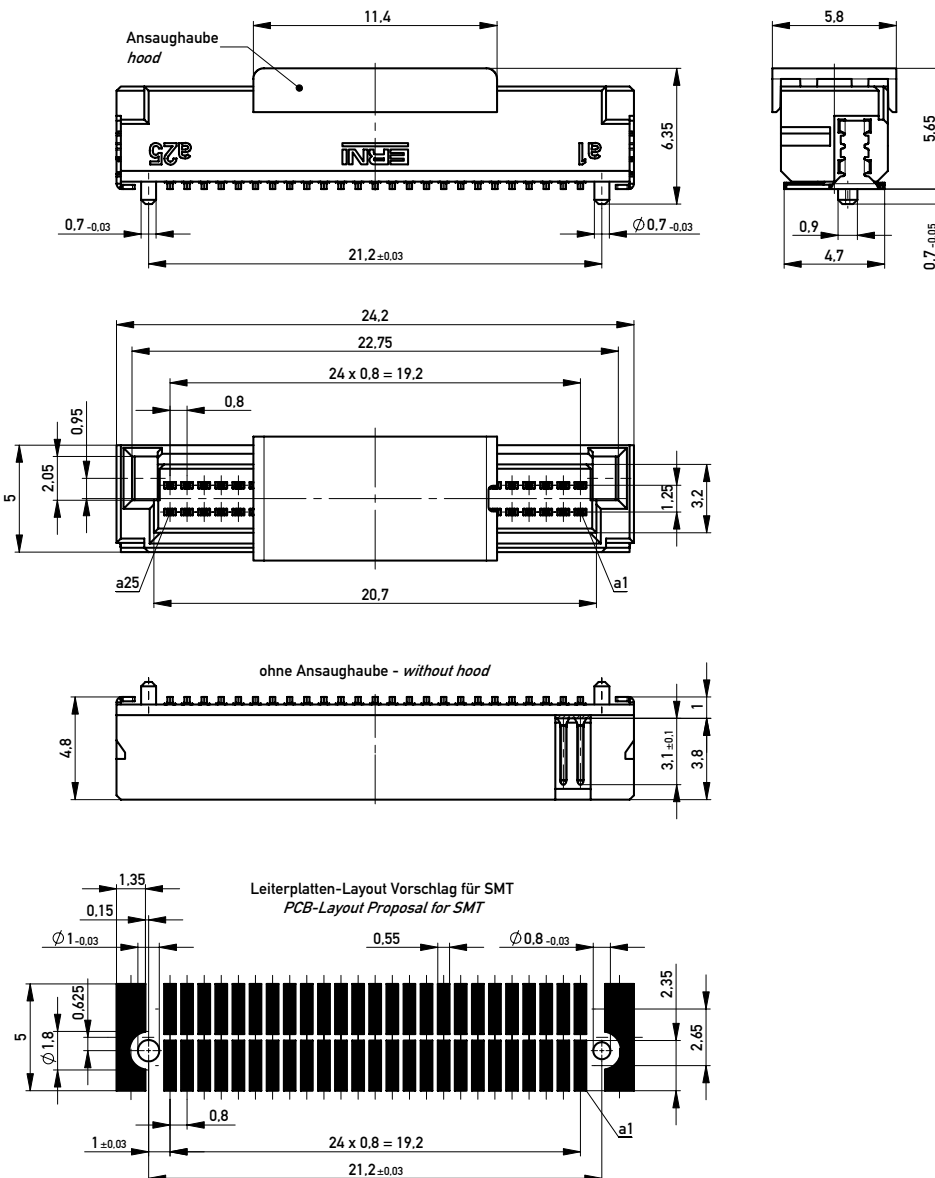
MicroCon - 0.8 mm Dual-Row Connector System

Vertical Male Connectors



- 0.8 mm pitch
- Tin plated pins
- Suitable for lead-free reflow soldering
- Tape and reel packaging for automatic assembly

Dimensional Drawing





ERMEC, S.L. BARCELONA
 C/ Francesc Teixidó, 22
 E-08918 Badalona
 (Spain)

Tel.: (+34) 902 450 160
 Fax: (+34) 902 433 088
info@ermec.com
www.ermec.com

ERMEC, S.L. MADRID
 C/ Sagasta, 8, 1ª planta
 E-28004 Madrid
 (Spain)

PORTUGAL
portugal@ermec.com
 BILBAO
bilbao@ermec.com

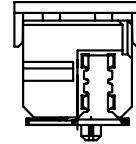


MicroCon - 0.8 mm Dual-Row Connector System

Vertical Male Connectors

Ordering Information

No. of Pins	Unmated Stacking Height	Termination	Packaging	Part Number
50	1 mm	SMT	Tape and reel/720 pcs.	294139





ERMEC, S.L. BARCELONA
C/ Francesc Teixidó, 22
E-08918 Badalona
(Spain)

Tel.: (+34) 902 450 160
Fax: (+34) 902 433 088
info@ermec.com
www.ermec.com

ERMEC, S.L. MADRID
C/ Sagasta, 8, 1ª planta
E-28004 Madrid
(Spain)

PORTUGAL
portugal@ermec.com
BILBAO
bilbao@ermec.com



Member



VMebus INTERNATIONAL TRADE ASSOCIATION





ERMEC, S.L. BARCELONA
C/ Francesc Teixidó, 22
E-08918 Badalona
(Spain)

Tel.: (+34) 902 450 160
Fax: (+34) 902 433 088
info@ermec.com
www.ermec.com

ERMEC, S.L. MADRID
C/ Sagasta, 8, 1ª planta
E-28004 Madrid
(Spain)

PORTUGAL
portugal@ermec.com
BILBAO
bilbao@ermec.com

ERNI Electronics GmbH

Seestrasse 9
73099 Adelberg / Germany
Tel +49 7166 50-0
Fax +49 7166 50-282
info@erni.de

Europe South America Africa Japan

ERNI Electronics, Inc.

2201 Westwood Ave
Richmond, VA 23230 / USA
Tel +1 804 228-4100
Fax +1 804 228-4099
info@erni.us

North America Canada Mexico

ERNI Asia Holding Pte Ltd.

Blk 4008 Ang Mo Kio Avenue 10
#04-01/02 Techplace I
Singapore 569625
Tel +65 6 555 5885
Fax +65 6 555 5995
info@erni-asia.com

Asia

www.erni.com

© ERNI Electronics GmbH 2011 • Printed in Germany. A policy of continuous improvement is followed and the right to alter any published data without notice is reserved.
ERNI®, MicroStac®, MicroSpeed®, MiniBridge®, MaxiBridge®, ERmet®, ERmet ZD®, ERbic® and ERNIPRESS® are trademarks (registered or applied for in various countries) of ERNI Electronics GmbH.