

CG series

Capacitive switches for underlay applications



DISTINCTIVE FEATURES

- Activated by the touch of a finger
- 50 million cycles
- Auto-calibration function
- Mounting under non-conductive surfaces
- Mating harness on request



ENVIRONMENTAL SPECIFICATIONS

- Triggered by flowing water
- Temperature range : -40 °C to +70 °C (-40 °F to +158 °F)
- Adhesive and connector resistant to vibrations



ELECTRICAL AND GENERAL SPECIFICATIONS

- Supply voltage : 5 VDC, 12 VDC or 24 VDC
- Supply current : 15 mA max. (12 V)
- Max. current/voltage rating : 200 mA 24 VDC
- Life expectancy : 50 million cycles
- Switch resistance ON : 1 Ohm max.
- Power consumption : 10 mA max. mode OFF
- Output type : NPN



MATERIALS

- Case : ABS
- Sealing : epoxy

APEM products may be recycled at end-of-life for the re-claiming of valuable metal components.

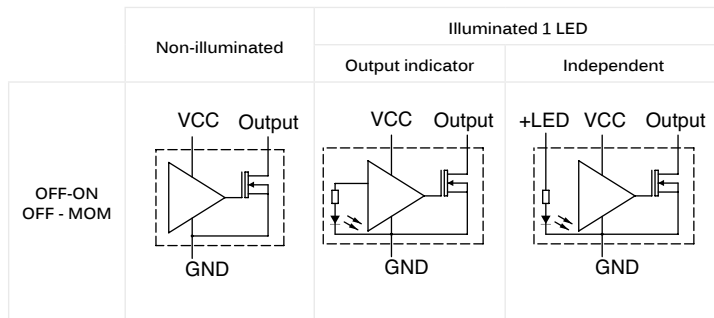


CG series

Capacitive switches for underlay applications



WIRING DIAGRAMS



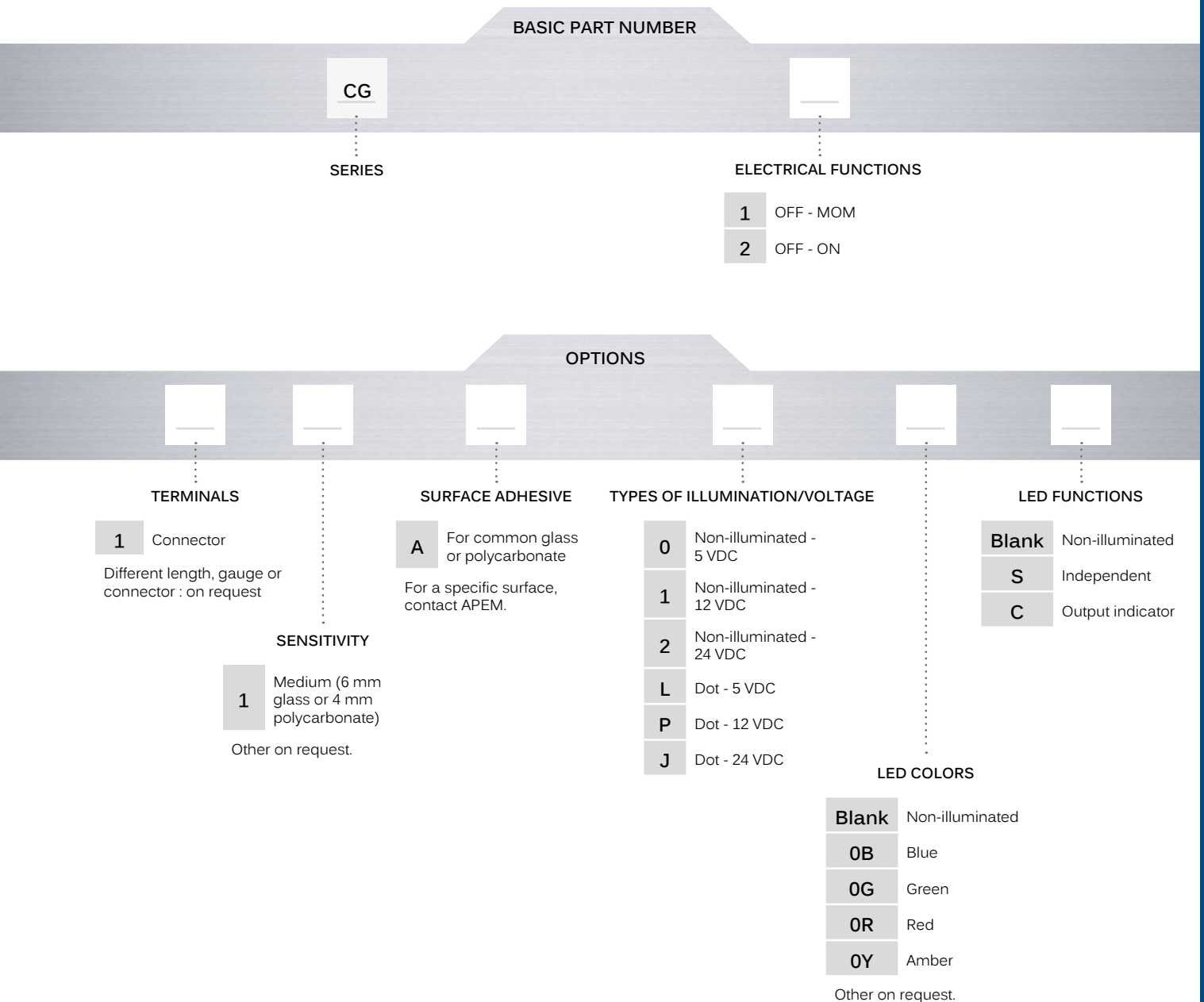
WIRING FOR MATING CONNECTOR HARWIN M30-1100400

- Pin 1 : output
- Pin 2 : GND
- Pin 3 : +LED
- Pin 4 : +VCC
- Mating harness (connector + wires) available on request.

! This switch should not be used in safety applications.



BUILD YOUR PART NUMBER



ERMEC, S.L. BARCELONA
 C/ Francesc Teixidó, 22
 08918 Badalona (España)
 Tel.:93.450.16.00

ERMEC
www.ermec.com

Tel.: (+34) 902 450 160
 Fax: (+34) 902 433 088
info@ermec.com
www.ermec.com

ERMEC, S.L. MADRID
 c/Puerto Rico, 4
 28220 Majadahonda (España)
 Tel.:91.828.56.51

PORTUGAL
portugal@ermec.com

BILBAO
bilbao@ermec.com



ABOUT THIS SERIES

On the following pages, you will find successively basic part numbers of switches and options in the same order as in above chart.

Notice : please note that not all combinations of above numbers are available. Refer to the following pages for further information.

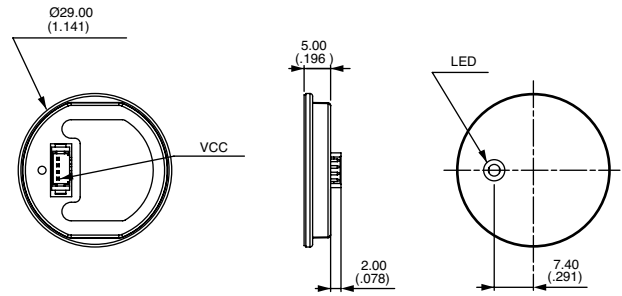
CG series

Capacitive switches for underlay applications

CONNECTOR OUTPUT



Momentary		
CG1	OFF	ON
Latching		
CG2	OFF	ON



For connector wiring, see specifications.

TERMINALS



1 Connector

SENSITIVITY



1 Medium (6 mm glass or 4 mm polycarbonate)

Other on request.

SURFACE ADHESIVE



A For common glass or polycarbonate

For a specific surface, contact APEM.

TYPE OF ILLUMINATION



- 0 Non-illuminated - 5 VDC
- 1 Non-illuminated - 12 VDC
- 2 Non-illuminated - 24 VDC
- L Dot - 5 VDC
- P Dot - 12 VDC
- J Dot - 24 VDC

ERMEC, S.L. BARCELONA
 C/ Francesc Teixidó, 22
 08918 Badalona
 (España)
 Tel.: 93.450.16.00



Tel.: (+34) 902 450 160
 Fax: (+34) 902 433 088
info@ermec.com
www.ermec.com

ERMEC, S.L. MADRID
 c/Puerto Rico, 4
 28220 Majadahonda
 (España)
 Tel.: 91.828.56.51

PORTUGAL
portugal@ermec.com

BILBAO
bilbao@ermec.com

LED COLORS

Blank	Non-illuminated
0B	Blue
0G	Green
0R	Red
0Y	Amber

Other on request.

LED FUNCTION

Blank	Non-illuminated
S	Independent
C	Output indicator

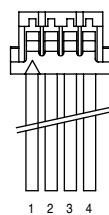
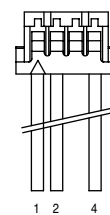
ACCESSORIES

Order separately.

U7120 Mating harness for independent LED (version S)**U7040** Mating harness for all other versions

Connector : Harwin M30-1100400

Wires : AWG28, 150 mm

**U7120****U7040****EXAMPLE OF CUSTOM SWITCH****CG1F1AJ0WS002**

- Flying leads with connector
- Customisable wires length
- Easy mounting
- Epoxy wire terminal : high sealing level