



**APEM**

# IPD Launch

USB desktop controllers



Featuring ten programmable pushbuttons and a three axes Resistive joystick, the IPD Launch is an economical option for security professionals. Easy to operate and install with USB interface, the IPD Launch is a joystick solution for any size security installation.

## KEY FEATURES

- 3 axes joystick for P/T/Z control
- Ten pushbutton switches
- USB 1.1 HID compliant "game controller"
- Easy to use and operate



# IPD Launch

## USB desktop controllers

### SPECIFICATIONS

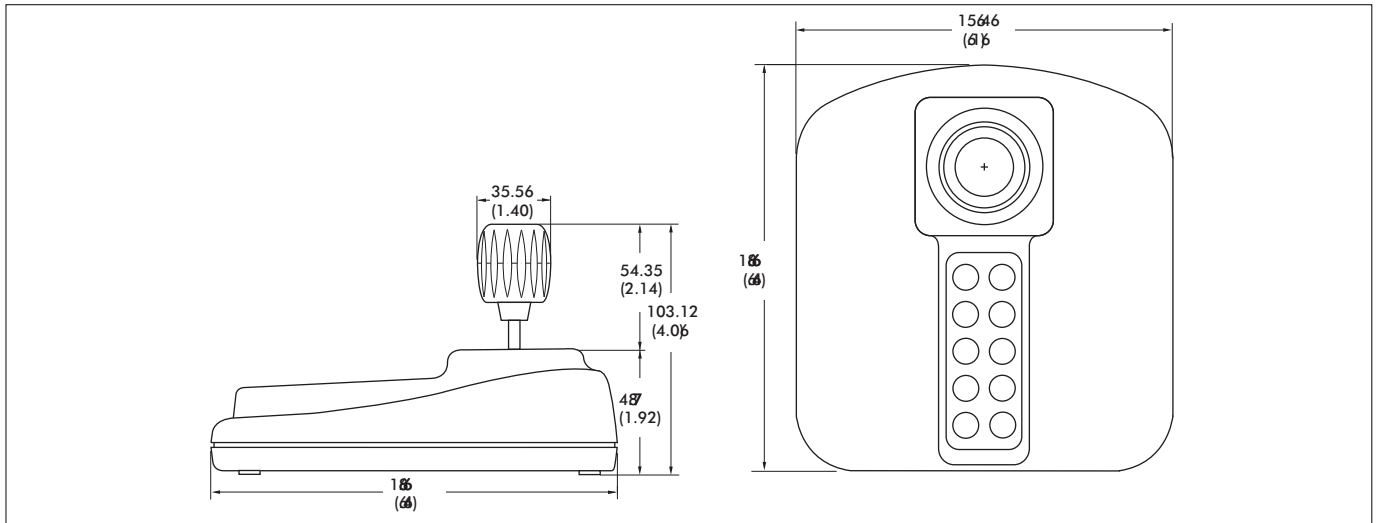
Joystick performance	–	Resistive three axes joystick
	–	X/Y/Z for positioning control
Joystick travel	–	36° for X and Y axes
	–	56° for Z axis
Centering	–	Dual spring, omni-directional
Joystick shaft	–	Nickel plated brass
Joystick boot	–	Thermostatic elastomer
Joystick handle	–	Glass filled nylon
Pushbutton performance	–	10 tactile pushbuttons on housing rated for 3,000,000 life cycles
Desktop housing	–	High impact ABS
Power	–	Via USB interface (5V DC)
	–	Consumption 32mA
Operating conditions	–	-25 to +85°C (-13 to +185°F)
Approvals	–	EN 55024:1998/EN 55022, CE
	–	FCC Part 15 Subpart B Class B
	–	RoHS compliant
Weight	–	435 g (0.96lb)
Interface	–	USB port
Connectors	–	USB Type A Male
	–	Cable Length: 2m; 6ft. 6.8in.
Systems support integration	–	Windows 7, Vista, XP, 2000
Supported protocols	–	USB HID 1.1 game controller
	–	Direct X (Gaming Control)
	–	Joystick: Three HID axes
	–	Pushbuttons: 10 HID buttons
	–	Uses standard DirectX HID drivers
	–	Connects directly to workstation PC
Environmental	–	For indoor use only

NOTE:  
All values are nominal

# IPD Launch

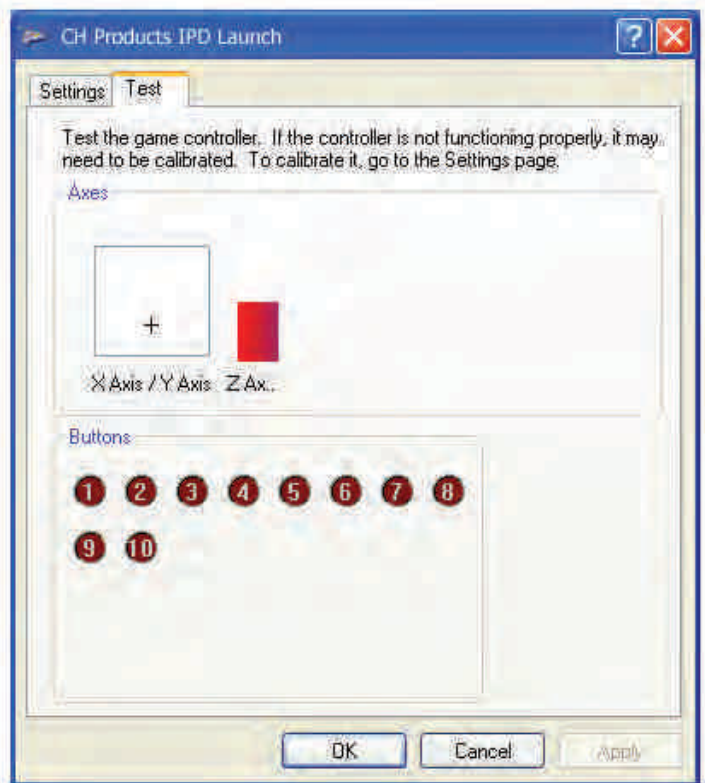
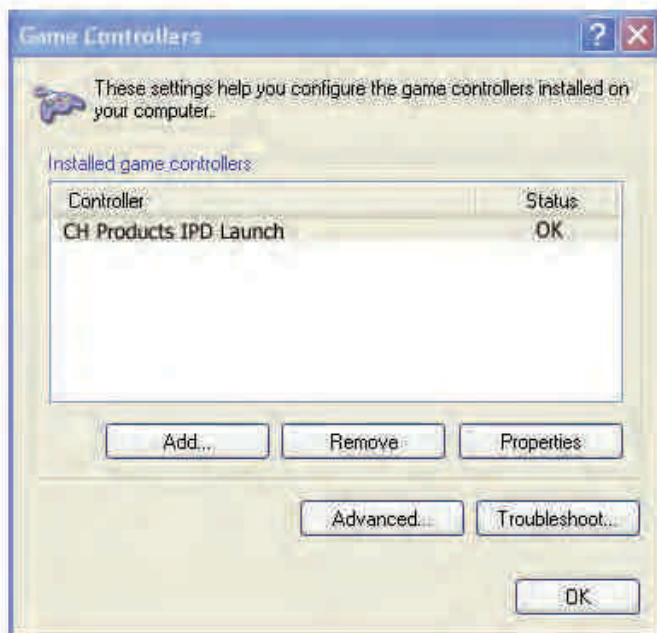
## USB desktop controllers

### DIMENSIONAL DRAWINGS



Note: Dimensions are in mm/(inch)

### USB 1.1 HID COMPLIANT GAME CONTROLLER



Note: To order the IPD Launch please refer to Part Number 100-450.



# APEM

## IP Desktop Professional USB desktop controllers



The network surveillance industry's #1 selling USB joystick, the IP Desktop features a two button three axes ball effect joystick, 10 tactile pushbuttons and USB 1.1 interface. Recommended and used by the most innovative companies in network surveillance, the IP Desktop has become the industry standard for security professionals.

### KEY FEATURES

- 3 axes joysticks for P/T/Z control
- Programmable pushbutton switches
- USB 1.1 HID compliant "game controller"
- Easy to use and operate
- Optional programming software



# IP Desktop

## Professional USB desktop controllers

### SPECIFICATIONS

Joystick performance	–	Ball effect three axes joystick
	–	X/Y/Z for positioning control
Joystick travel	–	36° for X and Y axes
	–	60° for Z axis
Centering	–	Single spring, omni-directional
Joystick shaft	–	Stainless steel
Joystick boot	–	Neoprene
Joystick handle	–	Glass filled nylon
Pushbutton performance	–	10 tactile pushbuttons on housing
	–	Two tactile pushbuttons on joystick
	–	3,000,000 cycles
Desktop housing	–	High impact ABS
Power	–	Via USB interface (5V DC)
	–	Consumption 32mA
Operating conditions	–	-25°C to +85°C (-13°F to +185°F)
Approvals	–	EN 55024:1998, EN 55022, CE
	–	FCC Part 15 Subpart B Class B
	–	RoHS compliant
Weight	–	440 g (0.97lb)
Interface	–	USB port
Connectors	–	USB Type A Male
	–	Cable Length: 2m; 6ft. 6.8in
Systems support integration	–	Windows 7/Vista, XP, 2000
Supported protocols	–	USB HID 1.1 game controller
	–	Direct X (Gaming Control)
	–	Joystick: Three HID axes
	–	Pushbuttons: 12 HID buttons
	–	Uses standard DirectX HID drivers
	–	Connects directly to workstation PC
Environmental	–	For indoor use only

NOTE:  
All values are nominal

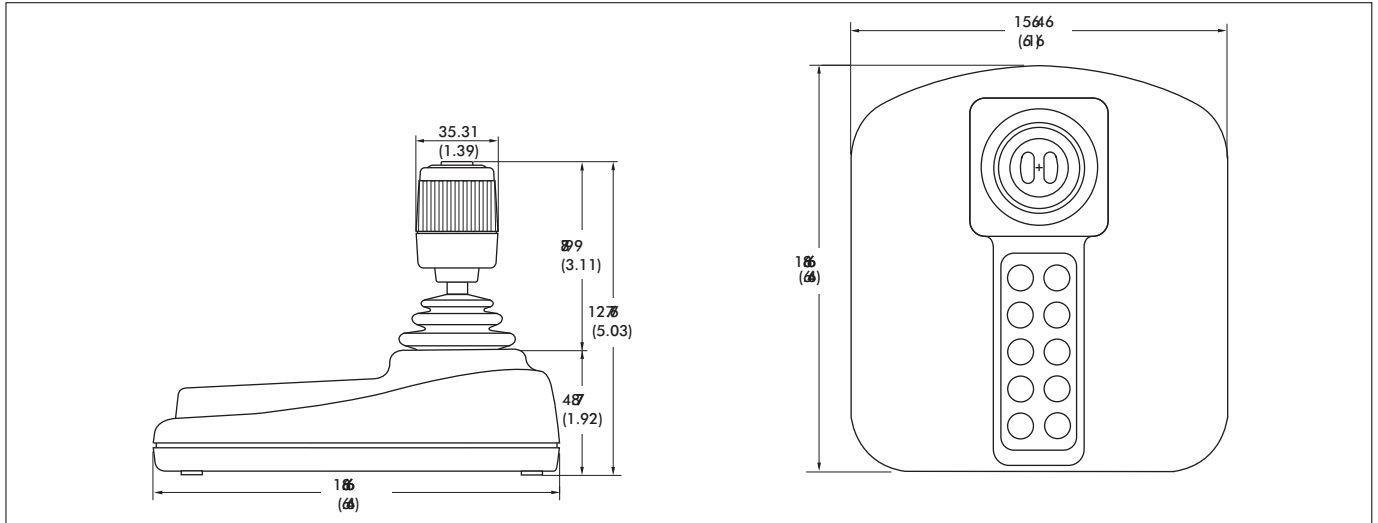
• IP Desktop Software is an optional utility that creates a joystick/mouse combination device and allows users to toggle between both devices with the press of a button. In addition to dual joystick/mouse functionality, IP Desktop Software creates an additional fourth joystick axis, R." The additional R" axis is ideally suited for jog/shuttle control of video playback.

• IP Desktop Software is designed to work with the IP Desktop range in a Windows based operating system.

# IP Desktop

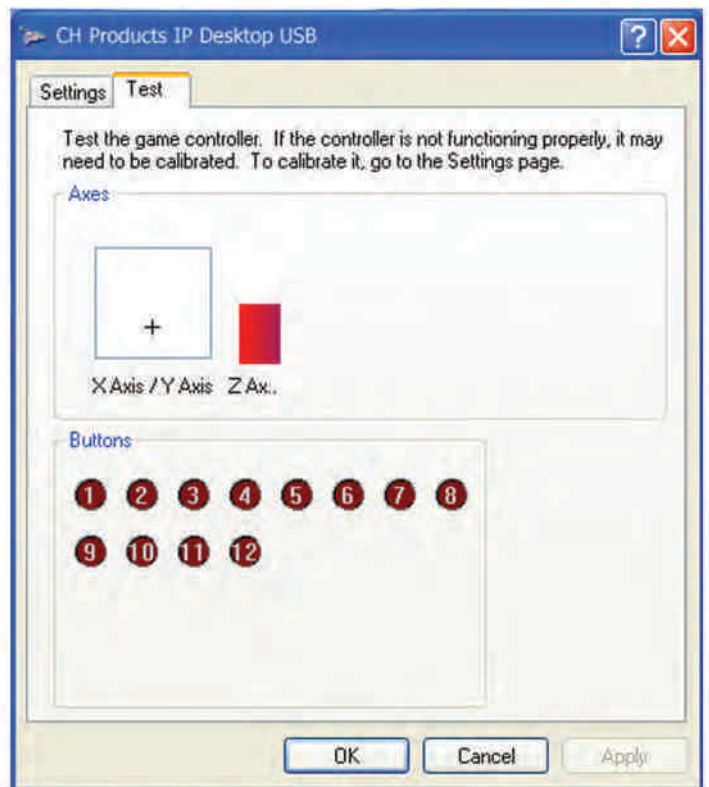
## Proportional USB desktop controllers

### DIMENSIONAL DRAWINGS



Note: Dimensions are in mm/(inch)

### USB 1.1 HID COMPLIANT GAME CONTROLLER



Note: To order the IPD Desktop please refer to Part Number 100-550 (Gray or Black).



# APEM

## IPD Ultima

Premium USB desktop controllers



The IPD Ultima features a premium soft touch Business Blue coating, 10 vibrant high efficiency LED pushbuttons as well as a precision two button three axes ball effect joystick. Featuring USB 1.1 HID compliant interface, the IPD Ultima brings sophistication and comfort to PTZ network camera control.

### KEY FEATURES

- 3 axes joystick for P/T/Z control
- LED pushbutton switches
- USB 1.1 HID compliant "game controller"
- Soft touch Business Blue coating
- Optional programming software



# IPD Última

## Premium USB desktop controllers

### SPECIFICATIONS

Joystick performance	-	Ball effect three axes joystick
	-	X/Y/Z for positioning control
Joystick travel	-	36° for X and Y axes
	-	60° for Z axis
Centering	-	Single spring, omni-directional
Joystick shaft	-	Stainless steel
Joystick boot	-	Neoprene
Joystick handle	-	Glass filled nylon
Pushbutton performance	-	10 vibrant, high efficiency back lit LED pushbuttons rated for 10,000,000 life cycles
	-	Two tactile pushbuttons on joystick rated for 3,000,000 life cycles
Desktop housing	-	High impact ABS Soft touch Business Blue coating
Power	-	Via USB interface (5V DC)
	-	Consumption 300mA
Operating conditions	-	-25 to +85°C (-13 to +185°F)
Approvals	-	EN 55024:1998 EN 55022, CE
	-	FCC Part 15 Subpart B Class B
	-	RoHS compliant
Weight	-	455 g (1.00lb)
Interface	-	USB port
Connectors	-	USB Type A Male
	-	Cable Length: 2m, 6ft. 6in.
Systems support integration	-	Windows 7/Vista, XP, 2000
Supported protocols	-	USB HID 1.1 game controller
	-	Direct X (Gaming Control)
	-	Joystick: Three HID axes
	-	Pushbuttons: 12 HID buttons
	-	Uses standard DirectX HID drivers
	-	Connects directly to workstation PC
Environmental	-	For indoor use only

**NOTE:**

All values are nominal

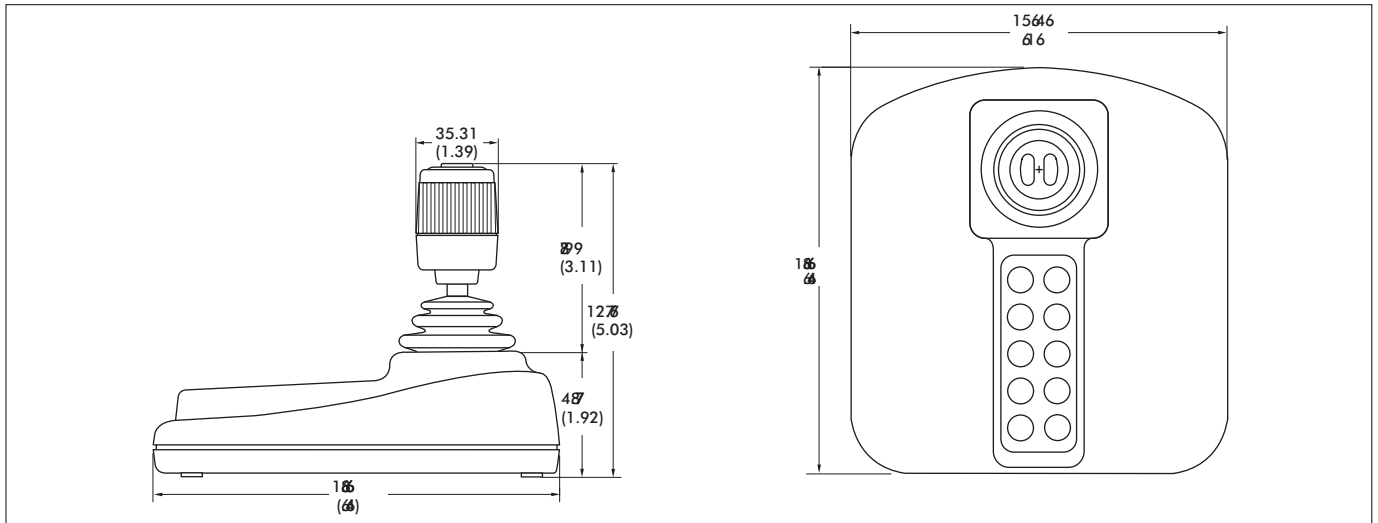
• IP Desktop Software is an optional utility that creates a joystick/mouse combination device and allows users to toggle between both devices with the press of a button. In addition to dual joystick/mouse functionality, IP Desktop Software creates an additional fourth joystick axis, R. The additional R axis is ideally suited for jog/shuttle control of video playback.

• IP Desktop Software is designed to work with the IP Desktop range in a Windows based operating system.

# IPD Ultima

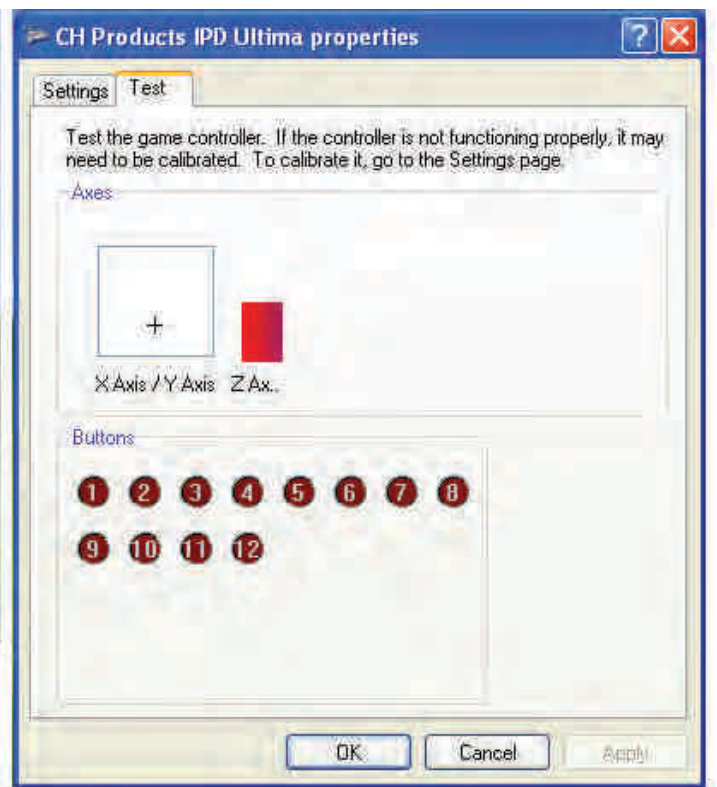
Premium USB desktop controllers

DIMENSIONAL DRAWINGS



Note: Dimensions are in mm/(inch)

## USB 1.1 HID COMPLIANT GAME CONTROLLER



Note: To order the IPD Ultima please refer to Part Number 100-60.



# APEM

## VM Desktop

USB multifunction controller



CHProducts' VM Desktop provides advanced features such as a 3 axes ball effect joystick, jog/shuttle dial, 27 user-defined pushbuttons and USB 1.1 interface for powerful control of video surveillance, recording and video management functions. The VM Desktop is designed for critical security installations including airports, casinos, transit stations and stadiums.

### KEY FEATURES

- 3 axes joystick for P/T/Z control
- 27 programmable pushbuttons
- Jog/shuttle dial
- USB 1.1 HID compliant  
"game controller"
- Easy to use and operate
- Functions determined by  
controlled application



# VM Desktop

## USB multifunction controllers

### SPECIFICATIONS

Joystick performance	–	bill effect three axes joystick X/Y/Z for positioning control
Joystick travel	–	36° for X and Y axes 60° for Z axis
Centering	–	Single spring, omni-directional
Joystick shaft	–	Stainless steel
Joystick boot	–	Neoprene
Joystick handle	–	Glass filled nylon
Jog/shuttle performance	–	Spring loaded shuttle ring travel 40° Smooth action knob rotates 30°
Pushbutton performance	–	27 programmable pushbuttons rated for 500,000 life cycles Lighting: high efficiency LED Pushbutton material: silicon Mouse pushbuttons are rated for 10,000,000 life cycles
Desktop housing	–	High impact ABS
Power	–	Via USB interface (5V DC) Consumption 1A
Operating conditions	–	-25°C to +85°C (-13°F to +185°F)
Approvals*	–	EN 55024:1998, EN 55022, FCC Part 15 Subpart B Class B RoHS compliant
Interface	–	USB port Uses standard DirectX HD drivers Connects directly to workstation PC
Connectors	–	USB Type A Male Cable Length: 2m (6ft. 6.8in)
Systems support integration	–	Windows 7/Vista, XP, 2000
Supported protocols	–	USB HD 1.1 game controller Direct X (Gaming Control) Joystick: Three HD axes Pushbuttons: 12 HD buttons Uses standard DirectX HD drivers Connects directly to workstation PC
Environmental	–	For indoor use only
Boxed weight	–	1.33kg (40z)

**NOTE:**

All values are nominal

• CHProducts' Video Management controller features 27 programmable pushbuttons. The numeric keypad module is ideal for camera selection, presets, and touring functions. Button labels and legends may be customized for specific applications.

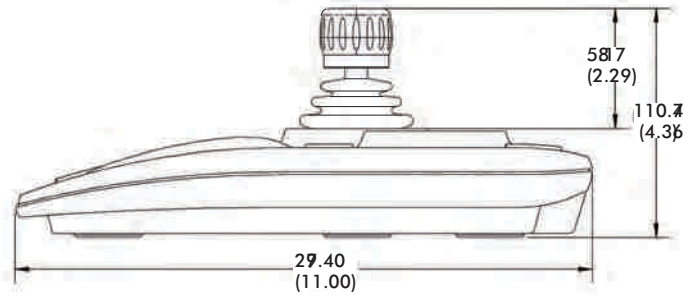
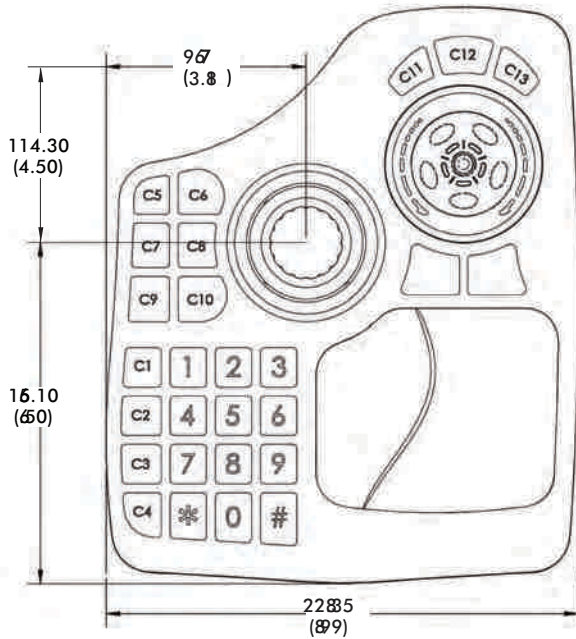
• The VM Desktop features a jog/shuttle dial for total control over digital video monitoring and management. In supported applications, the 30 degree jog knob may be used for editing frame-by-frame and the spring-loaded shuttle ring for variable forward and reverse speed control of captured sequences.

• Featuring USB 1.1 interface, the VM Desktop integrates seamlessly with software applications supporting USB joystick inputs via Microsoft DirectX. No device driver or SDKs required. The VM Desktop is recognized as a standard HD game controller 4 axes/29 button joystick. The VM Desktop's axes and buttons are programmable and function assignment is dependant on the controlled application.

# VM Desktop

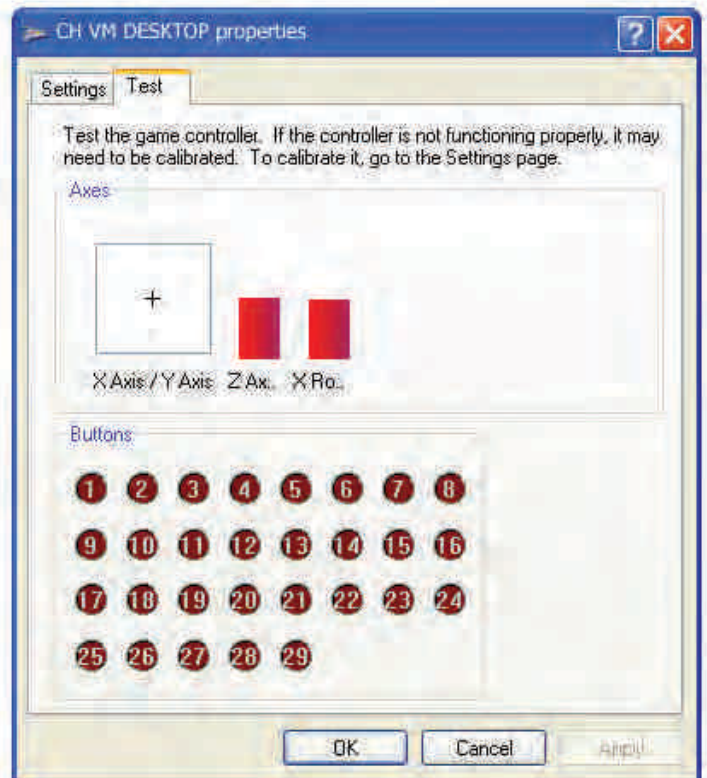
USB multifunction controllers

DIMENSIONAL DRAWINGS



- Notes: - Dimensions are in mm/(inch)  
- Supplied individually boxed with instruction booklet

## USB 1.1 HID COMPLIANT GAME CONTROLLER



Note: To order the VM Desktop please refer to Part Number 100-590.