

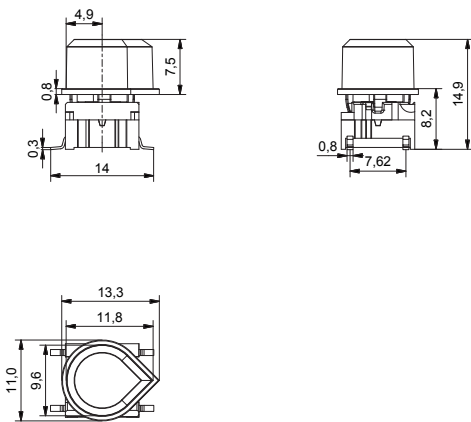


- Teardrop-shaped cap
- Ø9.6 mm; □ = 4.9 mm
- h = 14.9 mm
- Material: ABS/polycarbonate
- Temp. Range:
 - Solid cap: -40/+65°C
 - Transparent cap: -40/+85°C
- Panel cut-out: 1NS-Ø10.2/ □ = 5.1

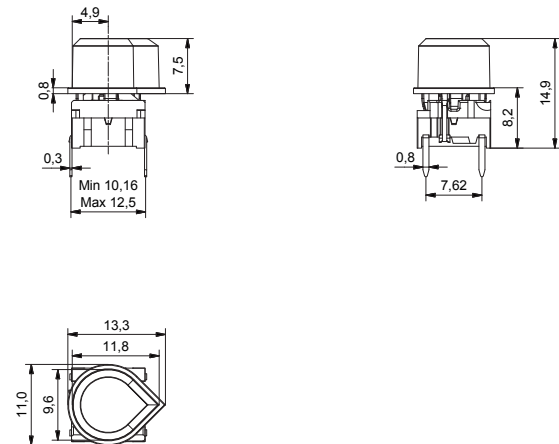
All dimensions in mm

DIMENSIONS


SMD + 1NS




TH w/LED + 1NS



ILLUMINATED - HOW TO ORDER

Switch	Mounting	Actuation force	LED	+	Cap transparent	Colour code
5 G	<input type="checkbox"/> <input type="checkbox"/> <input type="checkbox"/>	<input type="checkbox"/> <input type="checkbox"/> <input type="checkbox"/>	<input type="checkbox"/> <input type="checkbox"/> <input type="checkbox"/> <input type="checkbox"/>		1 N S	<input type="checkbox"/> <input type="checkbox"/>
	TH9 through-hole SH9 surface mount	20 35 65 *Q	01 blue 22 green 42 yellow 61 white 82 red 2242 green/yellow 8222 red/green 8242 red/yellow			10 frosted blue 12 frosted green 14 frosted yellow 16 frosted white 18 frosted red

NON-ILLUMINATED - HOW TO ORDER

Switch	Mounting	Actuation force	+	Cap	Colour code
5 G	<input type="checkbox"/> <input type="checkbox"/> <input type="checkbox"/>	<input type="checkbox"/> <input type="checkbox"/> <input type="checkbox"/>		1 N S	<input type="checkbox"/> <input type="checkbox"/>
	TH9 through-hole SH9 surface mount	20 20Q 35 65			00 blue 04 yellow 02 green 08 red 03 grey 09 black

Ordering example:
5GTH93501+1NS10 with illumination, 5GSH965+1NS08 non-illuminated, *5GTH92081Q (illuminated quiet version)
Please see colour codes, updates of products and changes of specifications on www.ermec.com

ERMEC, S.L. BARCELONA
C/ Francesc Teixidó, 22
E-08918 Badalona
(Spain)

Tel.: (+34) 902 450 160
Fax: (+34) 902 433 088
info@ermec.com
www.ermec.com

ERMEC, S.L. MADRID
C/ Sagasta, 8, 1ª planta
E-28004 Madrid
(Spain)

PORTUGAL
portugal@ermec.com
BILBAO
bilbao@ermec.com