

DG27

Ultra-miniature automotive twin relays



- Double DG20 in one package
- 30A maximum continuous current for pcb mounting
- High resistance to inrush current
- Applications include DC motor drives
- RoHS Compliant

Contacts	
Number and type of contacts	2 x SPST-NO, 2 x SPDT
Contact Material	AgNi 0.15: AgSnOInO
Rated current	NC 25A / NO 30A
Rated voltage / max. switching voltage	12VDC / 16VDC
Max. switching current	Make: 100A / Break 30A
Initial Contact resistance	100mΩ max. at 0.1A, 6VDC
Insulation	
Insulation resistance	100MΩ, at 500VDC, 50%RH
Dielectric strength	500Vrms, 1 min
General Data	
Ambient temperature: (operating / storage)	-40°C to 105°C / -40°C to 155°C
Operating time (typical)	3mS
Release time (typical)	1.5mS
Electrical life: (resistive)	10 ⁵ operations
Mechanical life	10 ⁷ operations
Cover protection category	IP67
Shock resistance	30g, 6mS
Vibration resistance	6g, 10—500Hz
Weight	8g approx.

Coil Data - DC Coil

Table 1

Type	Coil Voltage	Nominal Voltage VDC	Coil Resistance (Ω) ± 10%		Must Operate Voltage, max. VDC	Allowable Voltage* VDC	Must Release Voltage, min VDC
	Code		Power Consumption				
Standard	006	6	64	0.55W	3.5	12	0.75
	010	10	181		5.7	20	1.25
	012	12	254		6.9	24	1.5
D	012	12	181	0.8W	6.9	20	1.5

* At ambient temperature of 85°C and above, maximum allowable voltage should be reduced to 72% of nominal.



© American Electronic Components Inc 2008

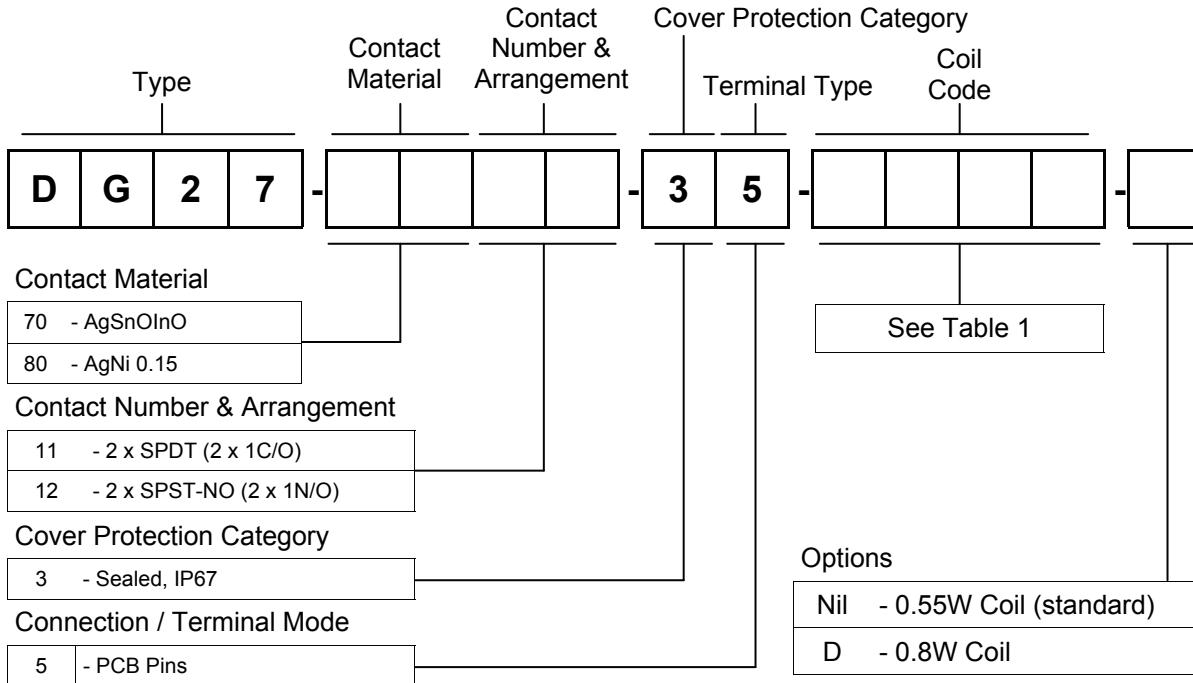
American Electronic Components Inc.,
 1101 Lafayette Street, Elkhart, Indiana. USA
 Tel: +1-574-295-6330 Fax: +1-574-293-8013
 Email: sales@aecensors.com
<http://www.aecensors.com>

DG27

Ultra-miniature automotive twin relays

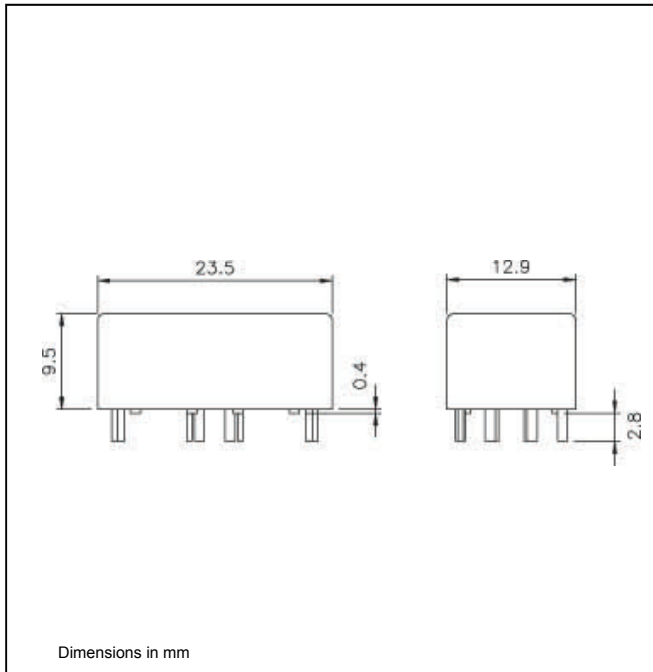


Ordering Codes



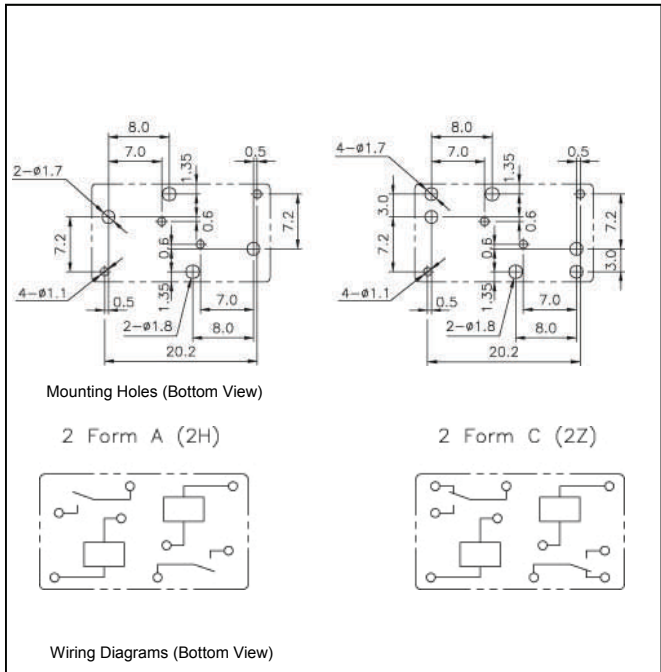
Overall Dimensions

Fig. 1



PCB Mounting Dimensions

Fig. 2



**American
Electronic
Components, Inc.**

© American Electronic Components Inc 2008

American Electronic Components Inc.,
 1101 Lafayette Street, Elkhart, Indiana, USA
 Tel: +1-574-295-6330 Fax: +1-574-293-8013
 Email: sales@aecsensors.com
<http://www.aecsensors.com>