



- Up to 45A switching capability
- Magnetic arc blowout
- Improved DG38 Series
- RoHS Compliant

Contacts

Number and type of contacts	SPST-NO, SPST-NC, SPDT
Contact Material	AgCdO, AgSnOInO
Rated current	45A /240VAC, 45A / 28VDC
Rated voltage / max. switching voltage	277VAC / 28VDC (contact factory for higher DC Volt-ages)
Max. breaking capacity	See Table 1 (Page 2)

Coil

Rated voltage	DC	5...110VDC (see Table 2 - Page 2)
Rated power consumption	DC	1W approx.
Insulation		
Insulation resistance		1000MΩ at 500VDC, 50%RH
Dielectric strength		
• between coil and contacts		1500Vrms for 1min.
• between open contacts		1500Vrms for 1 min.

General Data

Ambient temperature: (operating / storage)	-55°C to +85°C
Operating time (typical)	15ms
Release time (typical)	10ms
Electrical life: (resistive AC1)	1.5 x 10 ⁴
Mechanical life (cycles)	1 x 10 ⁷
Cover protection category	IP67 (sealed type)
Shock resistance	10g, 11ms (functional); 100g (destructive)
Vibration resistance	DA 1.5mm, 10-55Hz.
Weight	32g approx.



© American Electronic Components Inc 2008

American Electronic Components Inc.,
 1101 Lafayette Street, Elkhart, Indiana. USA
 Tel: +1-574-295-6330 Fax: +1-574-293-8013
 Email: sales@aecsensors.com
<http://www.aecsensors.com>

Contact Rating				Table 1	
Form	SPST-NO	SPST-NC	SPCO (SPDT, 1C/O)		
			NO Contacts	NC Contacts	
Resistive	45A / 240VAC	15A / 240VAC	30A / 240VAC	15A / 240VAC	
	45A / 28VDC	15A / 28VDC	30A / 28VDC	15A / 28VDC	
UL/CSA Ratings					
Load Type	Voltage	SPST-NO	SPST-NC	SPCO (SPDT, 1C/O)	
General Purpose	240VAC	45A	20A	30A	15A
Resistive	240VAC	45A	20A	30A	15A
	28VDC	30A	15A	30A	15A
Motor	240VAC	3HP	0.75HP	2HP	0.75HP
	120VAC	1.5HP	0.375HP	1.5HP	0.375HP
LRA / FLA	240VAC	120A / 45A	45A / 15A	75A / 30A	30A / 10.5A
	120VAC	147A / 33A			
Tungsten Lamp	120VAC	TV8	TV4	TV8	TV4
Ballast	277VAC	15A	4.5A	15A	4.5A
Pilot Lamp	125-250VAC	700VA			

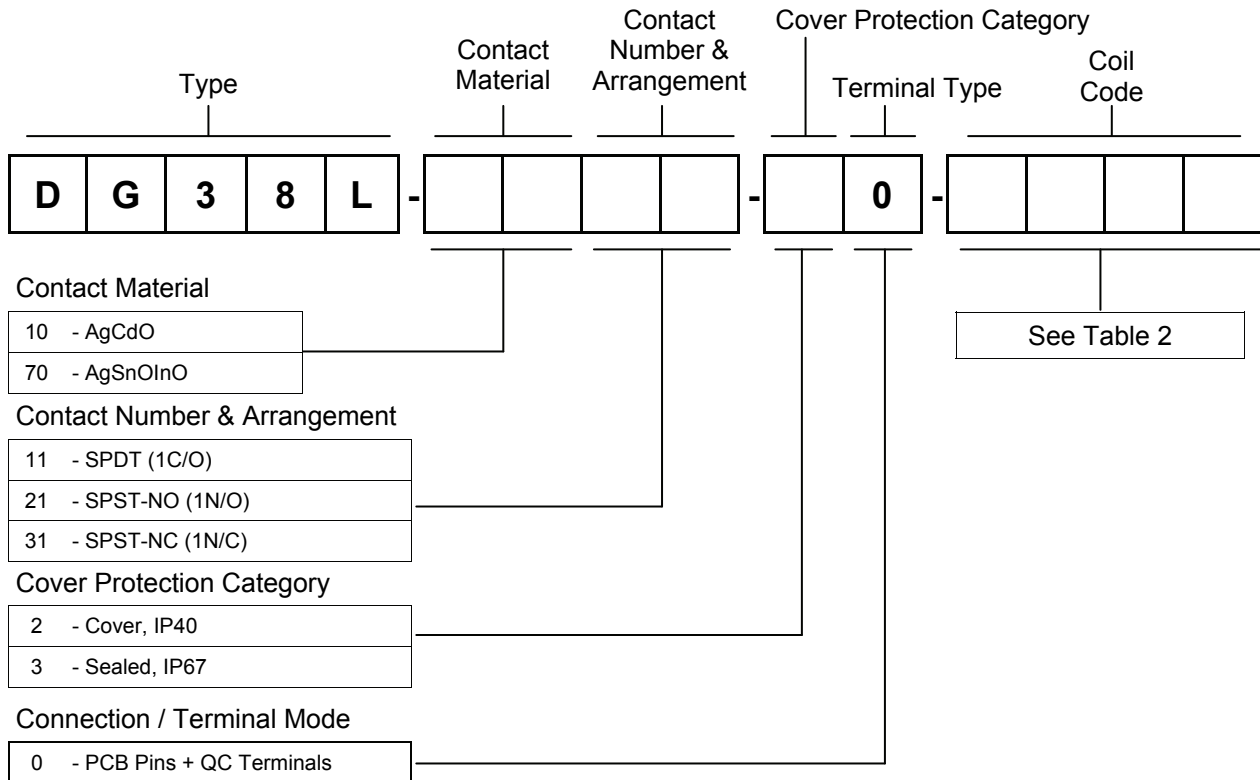
Coil Data				Table 2	
Coil Voltage Code	Nominal Voltage	Resistance	Must Operate	Must Release	
			Voltage max.	Voltage min.	
	VDC	(Ω) \pm 10%	VDC	VDC	
1005	5	27	3.75	0.5	
1006	6	40	4.50	0.6	
1009	9	97	6.75	0.9	
1012	12	155	9.00	1.2	
1024	24	660	18.00	2.4	
1048	48	2560	36.00	4.8	
1110	110	10330	82.50	11.0	



© American Electronic Components Inc 2008

American Electronic Components Inc.,
 1101 Lafayette Street, Elkhart, Indiana. USA
 Tel: +1-574-295-6330 Fax: +1-574-293-8013
 Email: sales@aecsensors.com
<http://www.aecsensors.com>

Ordering Codes

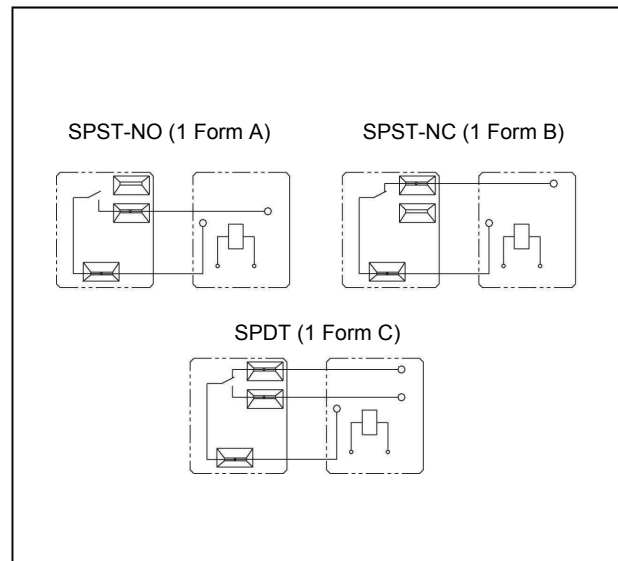
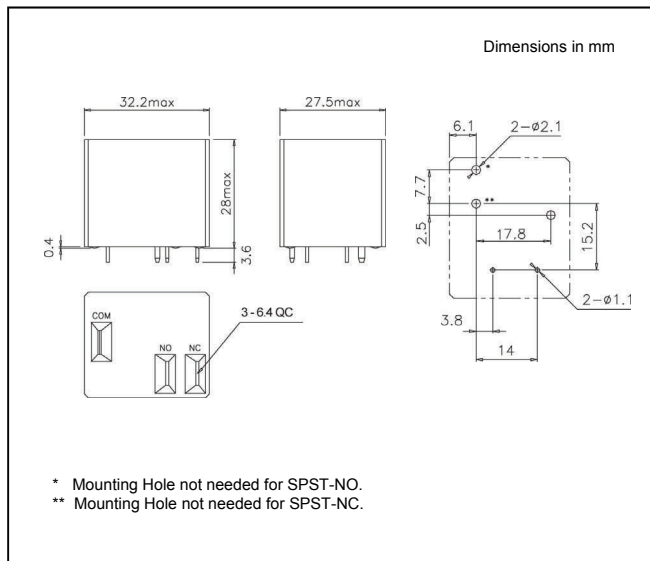


Overall Dimensions

Fig. 1

Wiring Diagrams

Fig. 2



Notes:

- 1) All parameters, unless otherwise specified, are measured at ambient temperature of 23°C
- 2) For optimum electrical life, please remove the tape of the sealed version after cleaning process.
- 3) Custom variants possible for volume requirements.



© American Electronic Components Inc 2008

American Electronic Components Inc.,
 1101 Lafayette Street, Elkhart, Indiana, USA
 Tel: +1-574-295-6330 Fax: +1-574-293-8013
 Email: sales@aecsensors.com
<http://www.aecsensors.com>