

DT

high voltage industrial relays



- High Voltage Switching
- Good inrush current resistance
- Flat insert connectors - faston 6.35 x 0.8 mm
- Applications include defibrillators and high voltage test equipment
- > 5mm contact gap (NO types) and ceramic construction
- Meets RoHS standards

Contact number & arrangement		SPST-NO (1 NO), DPST-NO (2NO), DPDT (2C/O)
Contact material		AgSnO ²
Max. switching voltage		5000V AC
Min. switching voltage	AC / DC	10V
Rated Load	AC1	10A / 5000VA
Min. switching current		10mA
Max. inrush current		20A
Rated current		10A
Max. breaking capacity	AC1	5000 VA
Min. breaking capacity		1W
Resistance		< 100mΩ
Max. operating frequency at rated load	AC1	3600 cycles / hour

Coil

Rated voltage	AC	12... 400V AC 60Hz (50Hz available to special order)
	DC	6... 110V DC 5.5W
Must release voltage		≥ 0.20U _n
Operating range of supply voltage		See Tables 1, 2 & 3

Insulation

Insulation category		
Insulation rated voltage		8kVAC
Dielectric strength	coil - contact	8000V AC
	contact - contact	8000V AC
	coil - ground	2000V AC
Contact - coil distance	clearance	15mm
	creepage	15mm

General data

Operating time (typical value)		40msec
Release Time		20msec
Electrical Life		
resistive AC1		> 10 ⁵
Mechanical life		> 5 x 10 ⁵
Dimensions (L x W x H)		60 x 48 x 70mm
Weight		200g
Ambient Temperature	storage	-25... + 70°C
	operating	-10... + 50°C
Cover protection category		IP00
Shock resistance		5g (11mS)
Vibration resistance		5g (10-55Hz)



Coil data - DC voltage version

Table 1

Coil code	Rated voltage V DC	Coil resistance ± 10% at 20°C Ω	Coil operating range at 20°C V DC	
			min.	max.
1006	6	7	4.8	6.6
1012	12	26	9.6	13.2
1024	24	105	19.2	26.4
1048	48	420	38.4	52.8
1110	110	2200	88.0	121.0
1220	220	8800	176.0	242.0

Coil data - AC 50Hz voltage version

Table 2

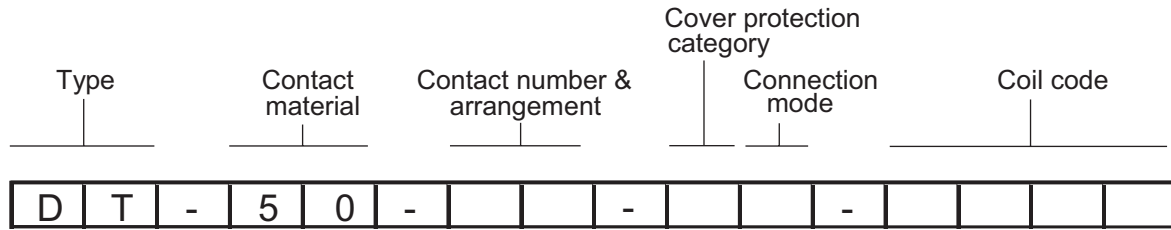
Coil code	Rated voltage V AC	Coil resistance ± 10% at 20°C Ω	Coil operating range at 20°C V AC	
			min.	max.
3006	6	1.5	4.8	6.6
3012	12	6	9.6	13.2
3024	24	21	19.2	26.4
3048	48	82	38.4	52.8
3110	110	430	88.0	121.0
3230	230	1550	184.0	253.0
3400	400	5600	320.0	440.0

Coil data - AC 60Hz voltage version

Table 3

Coil code	Rated voltage V AC	Coil resistance ± 10% at 20°C Ω	Coil operating range at 20°C V AC	
			min.	max.
6012	12	3.4	9.6	13.2
6024	24	13	19.2	26.4
6048	48	52	38.4	52.8
6110	110	300	88.0	121.0
6230	230	1200	184.0	253.0
6400	400	4400	320.0	440.0

Ordering Codes



Contact Material

50 - AgSnO²

Contact number & arrangement

- 12 - DPDT (2CO)
- 21 - SPST-NO (1NO)
- 22 - DPDT-NO (2NO) ①
- 31 - SPST-NC (1NC)
- 32 - DPST-NC (2NC) ①
- 42 - SPST-NO+SPST-NC ①

Cover protection category

1 - no cover, IP 00

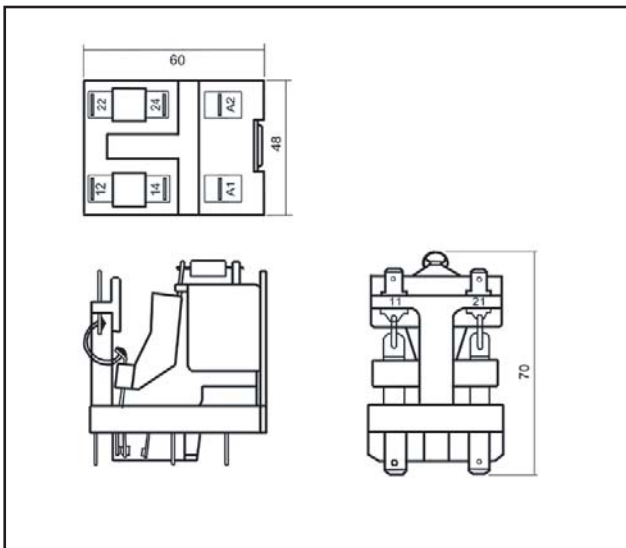
Connection mode

6 - for flat insert connectors
- fast-on 6.3 x 0.8mm

see Tables 1, 2 & 3

① Special order only

Dimensions



Terminal Numbering

