

EM-236 INTERFACE UNIT



FEATURES:

- Accurate and easy adjustments
- Good adjustment repeatability
- Saves space in products
- Gives economical advance
- Enables dynamic monitoring
- Easy to use

EM-236 Interface unit is made for adjusting and copying adjustments of Electromen driver devices and for monitoring dynamic values during drive.

EM-236 enables the searching of the right settings and adjustments for the application, and after that these settings can be reliably loaded to other units.

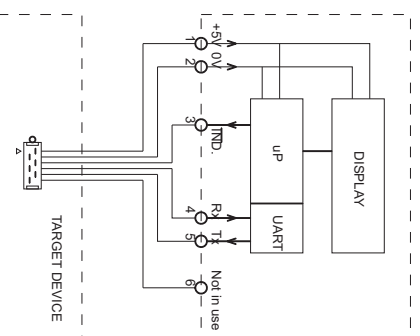
EM-236 is handy in instrumentation and allso a simple tool in production.

The use in short:

After the driver unit is powered the cable from EM-236 with red "Micro Match" connector is connected to the driver unit. (Notice the hole in board for polarity tab). The display of interface unit wakes up and after some announcements it is ready to load up parameters from the target driver (Load&Edit), if there is need to edit, the values can be changed with + and - buttons. Then the parameters can be saved with 2 seconds push of the "2sec. save" button. If the operation of the driver is OK, the red connector can be connected to the next driver and with a push of "Copy to device" button the same parameters are loaded to the next unit and to as many units as the user desires.

TECHNICAL DATA

Supply	3-6V / 30mA
Baud rate	9600b/s \pm 10%
Display	2x16digits, LCD
Memory	5 slots, each can store one set of parameters.
Lead lenght	180mm
Measures	90x60x20mm
Weight	100g



FUNCTIONS OF EM-236

Load & Edit

This will pick up the parameters from the driver unit. Parameters will be displayed and you can scroll and edit those with EM-236. After editing a value, it will blink three times before it is valid.
 NOTE. Edited parameter list is only in RAM until you save. After saving (pressing 2sec save) new edited parameters will be sent to driver unit and stocked in to selected memory slots of the EM-236 Interface unit.

Copy to device

This command will send the parameter list in selected slot in to the driver unit.

Monitor values

This will enable user to monitor some dynamic values during the use of the driver. Monitorable values can be scrolled with arrow -buttons.

Memory

* Show selected

From here you can see the parameter list which is stored in the slot which is selected at the time. First you get a message, which slot is selected and for what product the parameters are. Then you are displayed the parameters, which you can scroll through, but not edit until those are saved.

* Select slot

Here you choose which one of the 5 memory slots is active. When you save, copy, or go to "Show selected", the operation is referred to the slot you have chosen here.

SAVING

1. In "Load & Edit" press "2sec save" -button. The displayed parameters (edited or not) will be sent to the driver device and saved to the interface units active slot.
2. "Copy to device" will send the parameters that are in the interface units active slot to the driver device.
3. In all other situations, pressing "2sec save" -button will send the parameters from active slot to driver unit.

NOTE: If you by mistake leave from the "Load & Edit" window with out saving the edited parameters. The edits will stay there if you dont do any saving or copying, or you dont un plug the supply.
 To save edited parameters you have to go back to "Load & Edit" and push "2sec save" button. Then the edited parameters are saved to active slot and sent to the driver device.

START UP

Interface unit is started up by connecting it to a powered driver unit.

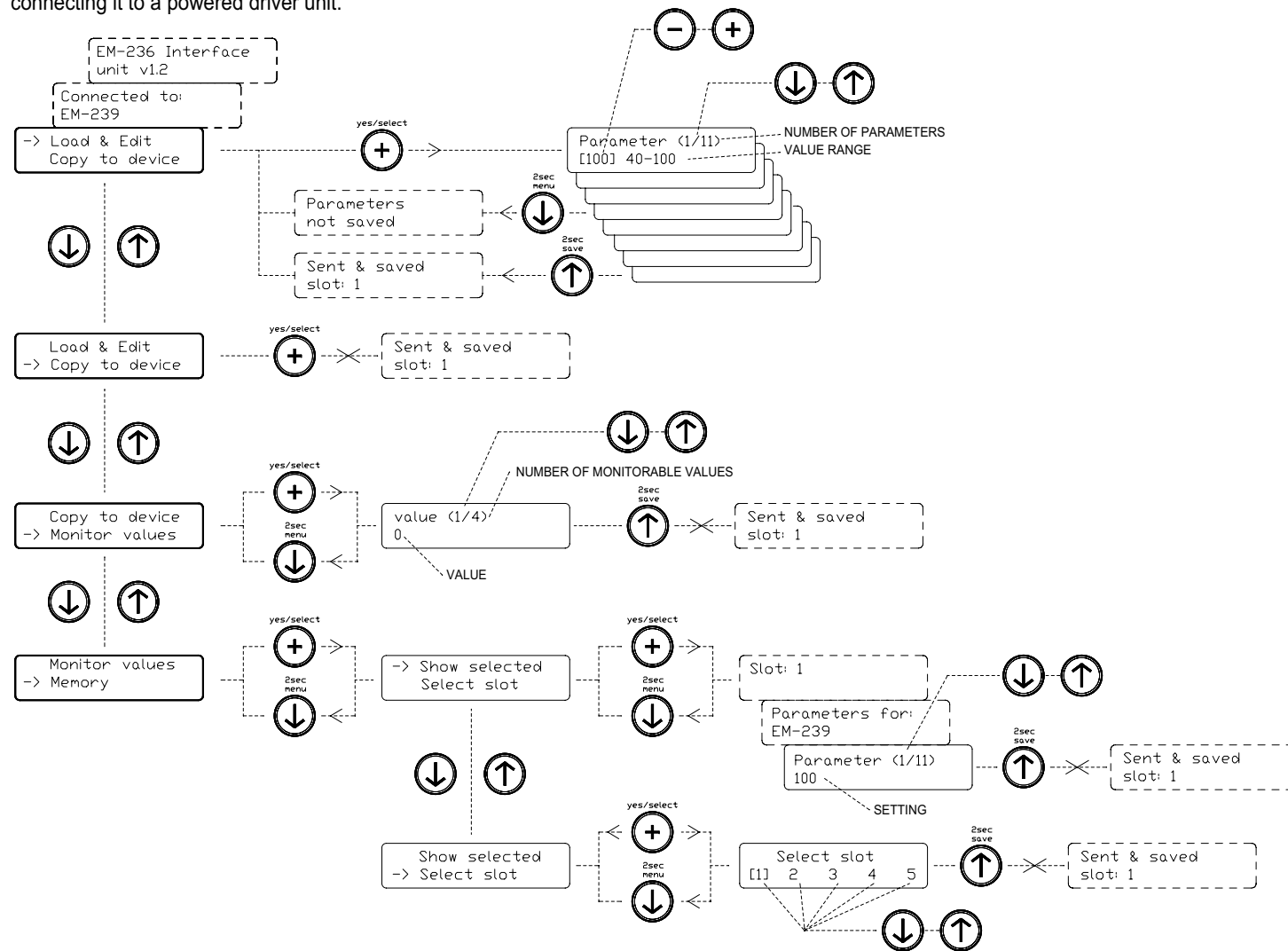


Fig.1. The menu map of EM-236 Interface Unit.

Note. This unit is for parameter setting of various products, but in examples we have used the code EM-239 for target device.