

# IDG-B

**Enclosures for Industrial and  
Building Automation Controls**



**ED. 02 | 09.2011**

Catalog E 074595



**ERMEC, S.L. BARCELONA**  
C/ Francesc Teixidó, 22  
08918 Badalona SPAIN

Tel. +34 902 450 160  
info@ermec.com  
www.ermec.com

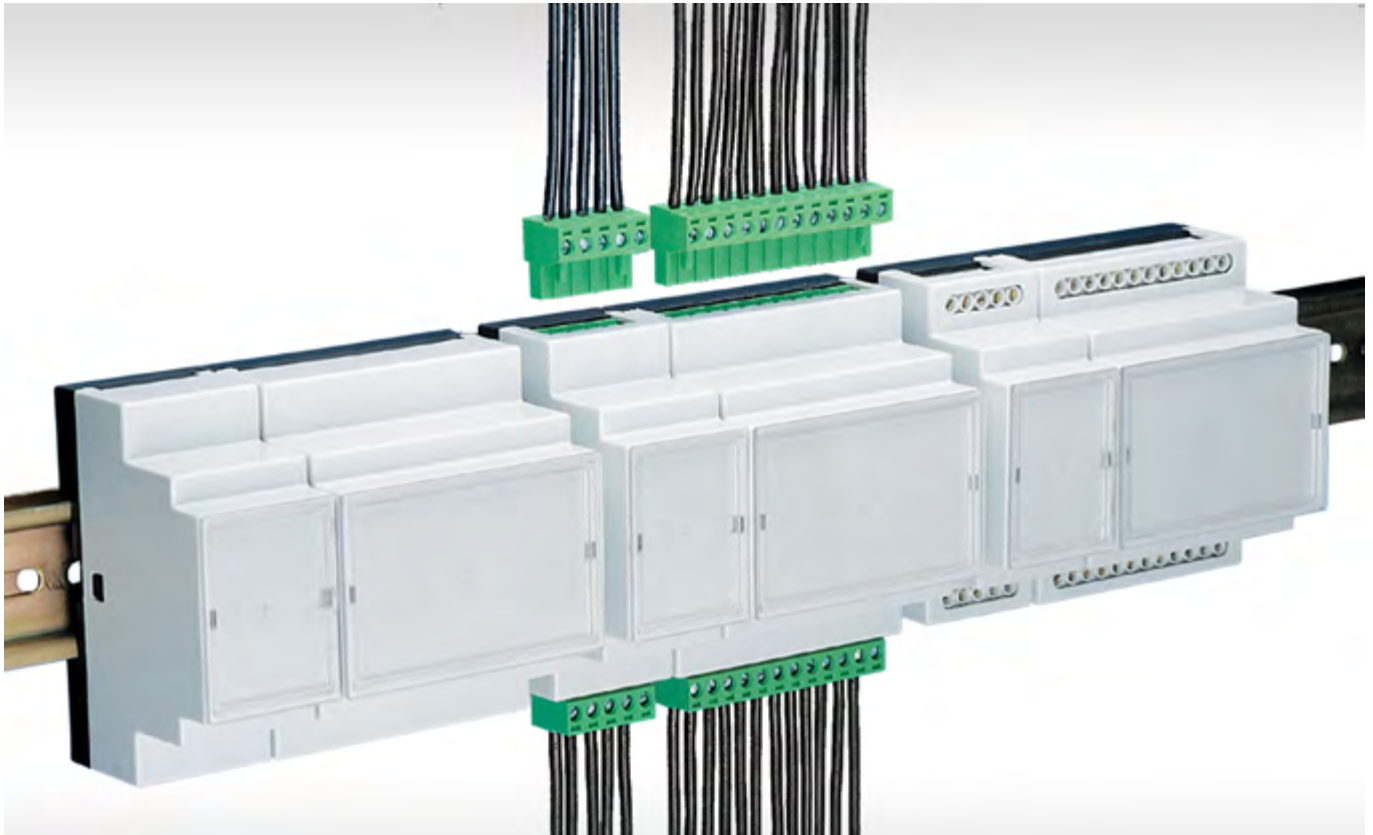
**ERMEC, S.L. - MADRID**  
C/ Puerto Rico, 4  
28222 Majadahonda (Madrid) SPAIN

bilbao@ermec.com  
portugal@ermec.com



General . . . . .	2
Termination Options . . . . .	3
Mounting Informations . . . . .	4
Assembly Area (Component Height Profile) . . . . .	5
Technical Data . . . . .	6
Dimensional Drawings . . . . .	7
IDG-B2 . . . . .	8
IDG-B4 . . . . .	9
IDG-B6 . . . . .	10
IDG-B9 . . . . .	11
Part Number Index . . . . .	12





IDG-B enclosures are manufactured completely from plastic material and are therefore fully insulated. They fulfill the modular packaging conditions required by existing standards like DIN 43880 (Built-in equipment; overall dimensions and related mounting dimensions). The enclosures have different installation widths ranging from 35 mm to 157 mm.

IDG-B enclosures are designed to snap onto a DIN-rail (EN50022) with a clip, which is pre-assembled on the bottom of the base part. The different versions of the top part allow the use of standard screw-terminal -blocks. One version is suitable for print-terminal-blocks and another version is able to adopt pluggable-terminal-blocks for which pin headers are soldered onto the printed circuit board.

Custom designs concerning colors can also be offered. The upper side of the top part can be modified with cut-outs for specific connectors, light-guides for LEDs, displays, rotary switches etc..

The transparent front cover protects e.g. displays from being touched and switches from accidental manipulation. Also a printed label can be used behind the cover or the top part can be printed directly with multiple colors.

### Features:

- 4 installation widths: 35 mm IDG-B2  
70 mm IDG-B4  
105 mm IDG-B6  
157 mm IDG-B9
- Overall dimensions per DIN 43 880, size 1
- Mountable on DIN rails acc. EN 50 022
- Various termination options: 5.0/5.08 mm terminal blocks  
5.0/5.08 mm pluggable terminal blocks  
Closed (without terminal blocks)
- Transparent front cover protects displays and control devices
- DIN rail clip pre-assembled on base part
- Custom design available upon request (MOQ)

#### Top part for use with pluggable screw terminal blocks (5 mm / 5.08 mm pitch)



This enclosure version has been designed for use with standard pluggable screw terminal blocks from different suppliers. The pluggable screw terminal blocks are avoiding failures while termination or in case of service (replacement of module). A pluggable system allows also pre-wiring of cabinets.

Maximum number of terminals

IDG-B2: 10 (5 on each side)  
IDG-B4: 24 (12 on each side)  
IDG-B6: 36 (18 on each side)  
IDG-B9: 52 (26 on each side)

#### Top part for use with screw terminal blocks (5 mm / 5.08 mm pitch)



This enclosure version is designed for use with standard terminal blocks from different suppliers.

The discrete wires can be terminated or disconnected to the terminal blocks due to an oval cut-out tin the top part.

Maximum number of terminals:

IDG-B2: 10 (5 on each side)  
IDG-B4: 24 (12 on each side)  
IDG-B6: 36 (18 on each side)  
IDG-B9: 52 (26 on each side)

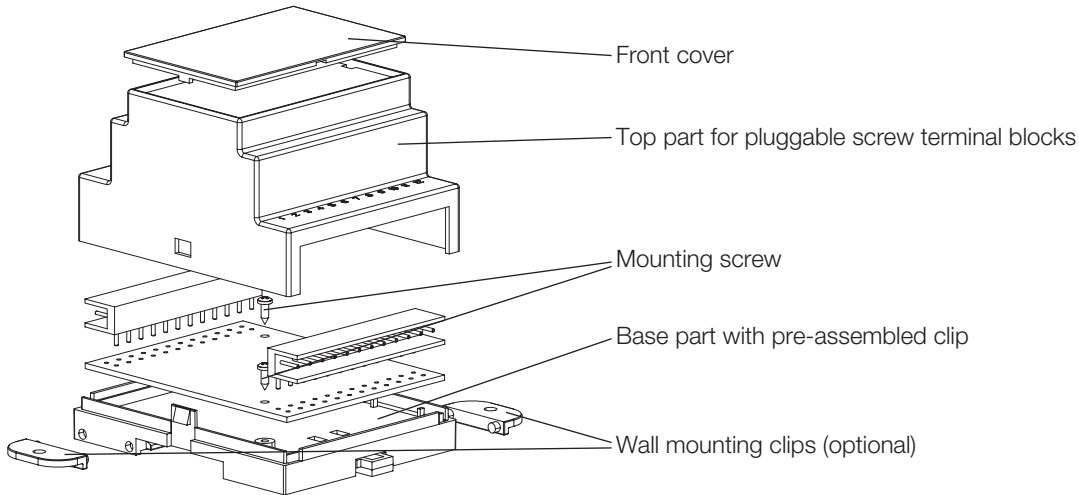
#### Closed top part for use without terminal blocks



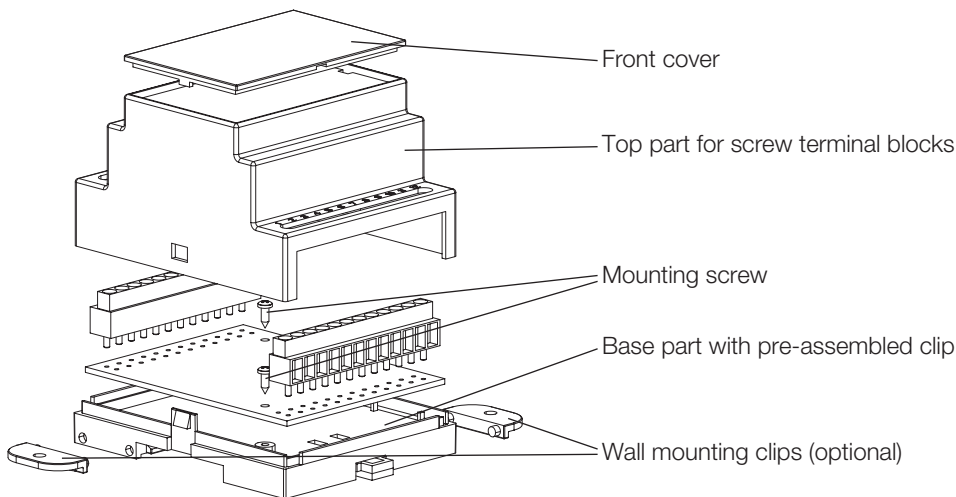
The using of terminal blocks is not possible with the closed top part.

In addition there are options concerning all kind of top parts for customized cut-outs made in the top area for connectors like D-Subs or other parts like LEDs, rotary switches, fuse holders and so on.

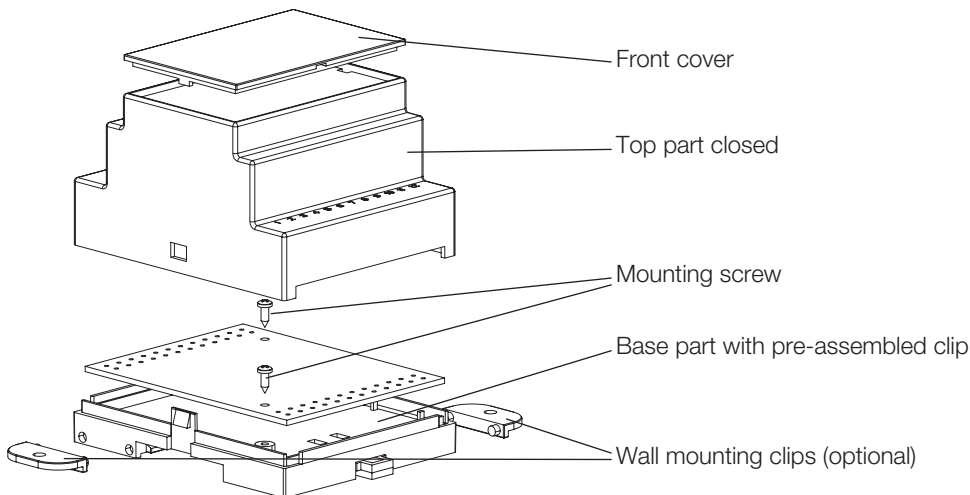
**Parts of a complete kit for use with pluggable screw terminal block**



**Parts of a complete kit for use with screw terminal block**



**Parts of a complete kit for use without screw terminal blocks (closed housing)**

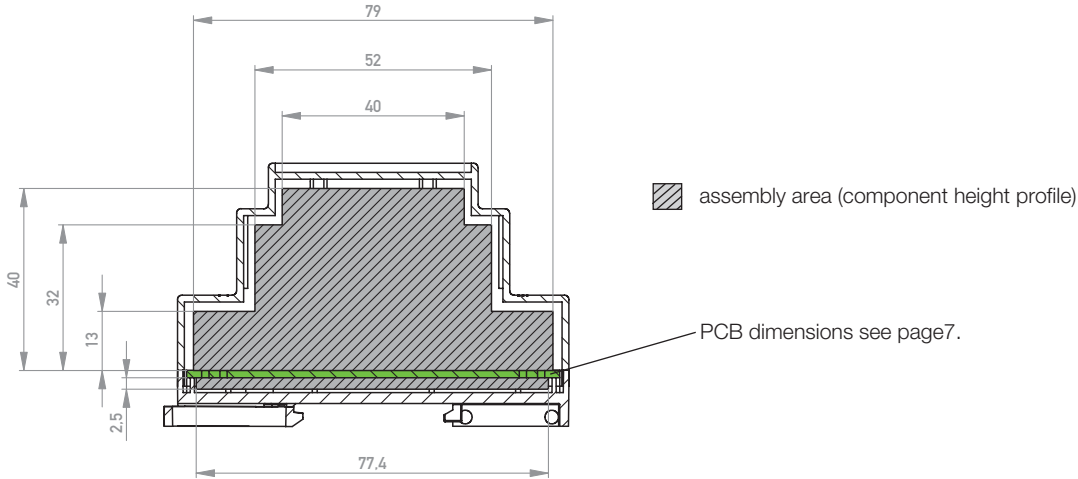


# IDG-B Enclosures

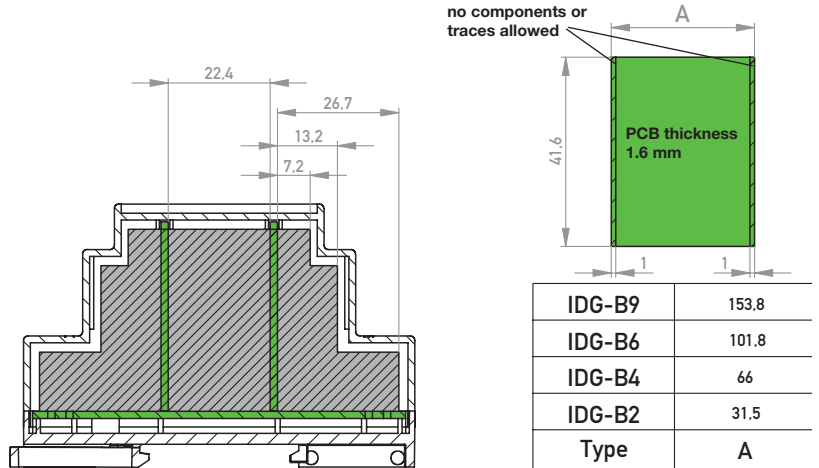
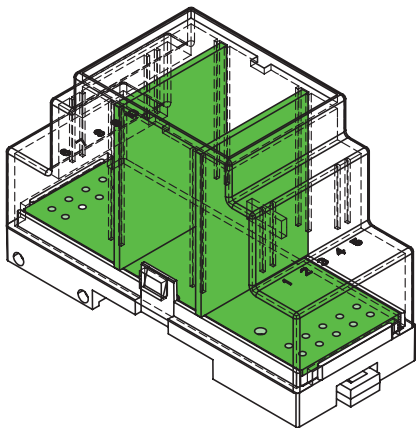
## Assembly Area (Component Height Profile)



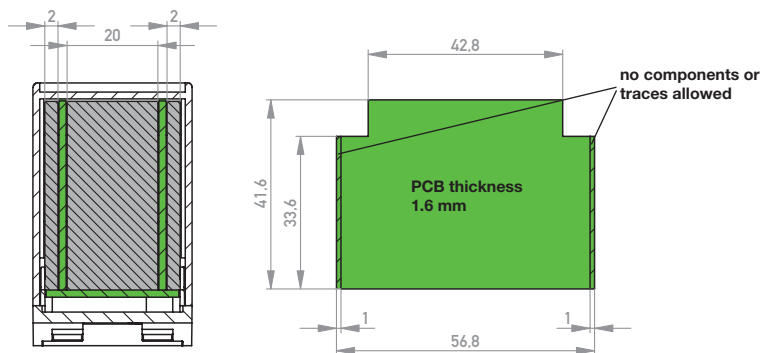
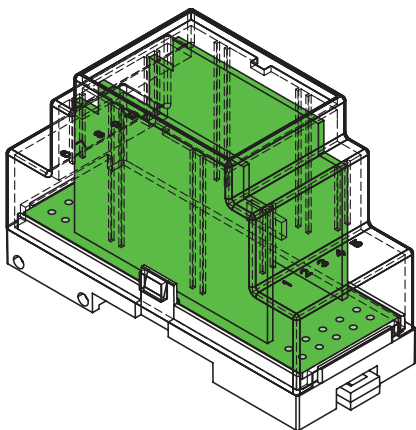
### Standard Base PCB\*



### Additional PCBs Vertical\*



### Additional PCBs Horizontal\*



\* Values for component height profile are only a recommendation and have to be verified by the customer. There might be more or less distance between PCB and parts required, depending on the specific application.

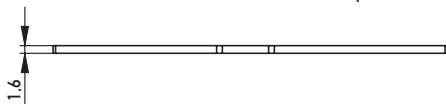
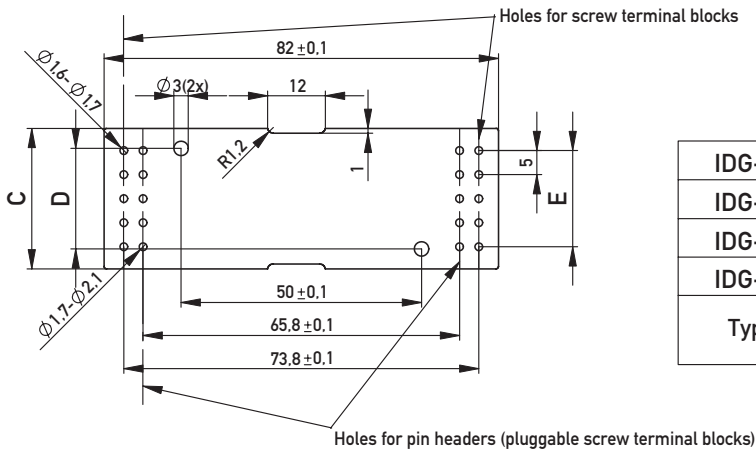
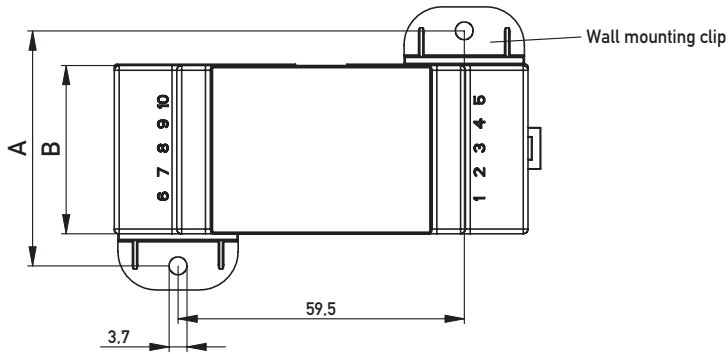
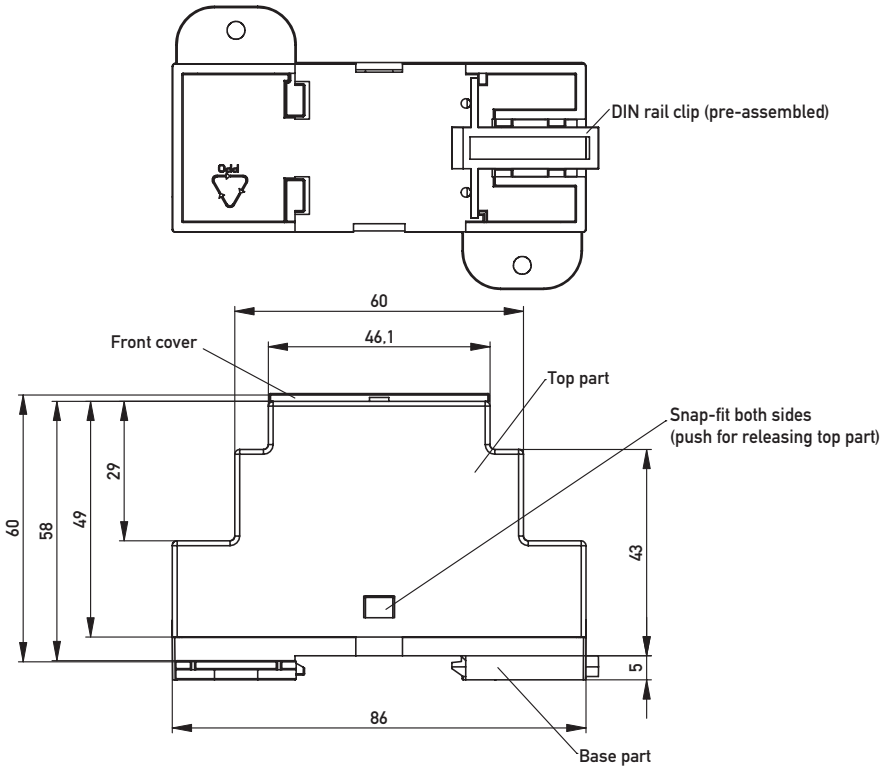


	IDG-B2	IDG-B4	IDG-B6	IDG-B9
<b>Technical data</b>				
Outside dimensions in mm (W x H x D)	35 x 86 x 60	70 x 86 x 60	105 x 86 x 60	157 x 86 x 60
PCB thickness recommended	1.6 mm			
Wall mounting grid in mm	49 x 59.5	84 x 59.5	119 x 59.5	171.5 x 59.5
Number of terminals	10	24	36	52
Temperature range	-40/100 °C			
Air- and creepage distances	depending on used screw terminal blocks			
Operating voltage	<p>The permissible operating voltages depend on the customer application and on the applicable or specified safety requirements.</p> <p>Insulation coordination according to IEC 60664-1 has to be regarded for the complete electrical device. Therefore, the maximum creepage and clearance distances of the mated connectors are specified for consideration as a part of the whole current path.</p> <p>In practice, reductions in creepage or clearance distances may occur due to the conductive pattern of the printed board or the wiring used, and have to be taken into account separately.</p> <p>As a result the creepage and clearance distances for the application may be reduced compared to those of the connector.</p>			
Protection class EN 60529	IP20			
DIN-rail mounting	DIN EN50022			
Tightening torque (PCB mounting screw)	0.6 Nm			
Tightening torque (wall mounting screw)	0.8 Nm			
<b>Materials</b>				
Front Cover	PC (color transparent)			
Top part	PC / UL 94-V0 (color grey, RAL 7035)			
Base part	PPO / UL 94-V0 (color black, RAL 7021)			
UL (plastic material)	E45329			

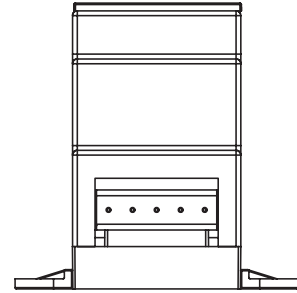


# IDG-B Enclosures

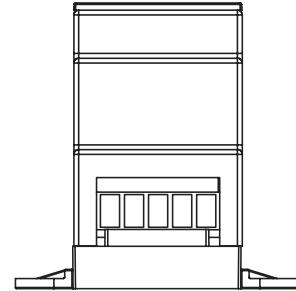
## Dimensional Drawings



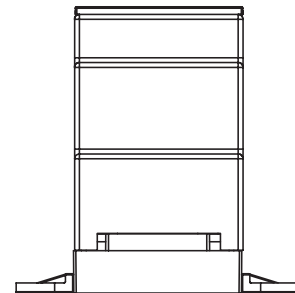
with pin header (pluggable screw terminal blocks)



with screw terminal blocks



without terminal blocks (closed housing)



IDG-B9	171.5	157	151	137	125 (25x5)
IDG-B6	119	105	99	85	85 (17x5)
IDG-B4	84	70	64.2	50	55 (11x5)
IDG-B2	49	35	29.2	20.9	20 (4x5)
Type	A	B	C ±0.1	D ±0.1	E

All dimensions in mm.



- Installation width 35 mm
- Number of terminals 10 (5 on each side)
- Easy snap-on assembly onto DIN-rails
- Transparent front cover protects displays and control devices
- Other colors and custom designs on request
- For use with:
  - standard pluggable terminal blocks
  - standard screw terminal blocks
  - without terminal blocks (closed housing)

### Order list for complete enclosure (pluggable screw terminal blocks)

Configuration	Width	Color	Part Number
Front cover	35 mm	transparent	064095
Top part for pluggable screw terminal blocks	35 mm	grey	064944
PCB header (5 mm pitch)			on request
Pluggable screw terminal block (5 mm pitch)			on request
Base part with pre-assembled clip	35 mm	black	064236

### Order list for complete enclosure (screw terminal blocks)

Configuration	Width	Color	Part Number
Front cover	35 mm	transparent	064095
Top part for screw terminal blocks	35 mm	grey	064093
Screw terminal block (5 mm pitch)			on request
Base part with pre-assembled clip	35 mm	black	064236

### Order list for complete enclosure (closed top part)

Configuration	Width	Color	Part Number
Front cover	35 mm	transparent	064095
Top part closed	35 mm	grey	064945
Base part with pre-assembled clip	35 mm	black	064236

### Additional components

Configuration	Part Number
Mounting screw (M 2.9 x 6.5 mm)	835702
Wall mounting clip	364909

# IDG-B Enclosures

## IDG-B4



- Installation width 70 mm
- Number of terminals 24 (12 on each side)
- Easy snap-on assembly onto DIN-rails
- Transparent front cover protects displays and control devices
- Other colors and custom designs on request
- For use with:
  - standard pluggable terminal blocks
  - standard screw terminal blocks
  - without terminal blocks (closed housing)

### Order list for complete enclosure (pluggable screw terminal blocks)

Configuration	Width	Color	Part Number
Front cover	70 mm	transparent	064068
Top part for pluggable screw terminal blocks	70 mm	grey	064940
PCB header (5 mm pitch)			on request
Pluggable screw terminal block (5 mm pitch)			on request
Base part with pre-assembled clip	70 mm	black	064237

### Order list for complete enclosure (screw terminal blocks)

Configuration	Width	Color	Part Number
Front cover	70 mm	transparent	064068
Top part for screw terminal blocks	70 mm	grey	064074
Screw terminal block (5 mm pitch)			on request
Base part with pre-assembled clip	70 mm	black	064237

### Order list for complete enclosure (closed top part)

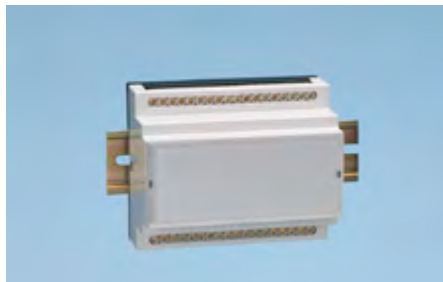
Configuration	Width	Color	Part Number
Front cover	70 mm	transparent	064068
Top part closed	70 mm	grey	064941
Base part with pre-assembled clip	70 mm	black	064237

### Additional components

Configuration	Part Number
Mounting screw (M 2.9 x 6.5 mm)	835702
Wall mounting clip	364909

## IDG-B Enclosures

### IDG-B6



- Installation width 105 mm
- Number of terminals 36 (18 on each side)
- Easy snap-on assembly onto DIN-rails
- Transparent front cover protects displays and control devices
- Other colors and custom designs on request
- For use with:
  - standard pluggable terminal blocks
  - standard screw terminal blocks
  - without terminal blocks (closed housing)

#### Order list for complete enclosure (pluggable screw terminal blocks)

Configuration	Width	Color	Part Number
Front cover	105 mm	transparent	104402
Top part for pluggable screw terminal blocks	105 mm	grey	104406
PCB header (5 mm pitch)			on request
Pluggable screw terminal block (5 mm pitch)			on request
Base part with pre-assembled clip	105 mm	black	104404

#### Order list for complete enclosure (screw terminal blocks)

Configuration	Width	Color	Part Number
Front cover	105 mm	transparent	104402
Top part for screw terminal blocks	105 mm	grey	104405
Screw terminal block (5 mm pitch)			on request
Base part with pre-assembled clip	105 mm	black	104404

#### Order list for complete enclosure (closed top part)

Configuration	Width	Color	Part Number
Front cover	105 mm	transparent	104402
Top part closed	105 mm	grey	104407
Base part with pre-assembled clip	105 mm	black	104404

#### Additional components

Configuration	Part Number
Mounting screw (M 2.9 x 6.5 mm)	835702
Wall mounting clip	364909



- Installation width 157 mm
- Number of terminals 52 (26 on each side)
- Easy snap-on assembly onto DIN-rails
- Transparent front cover protects displays and control devices
- Other colors and custom designs on request
- For use with:
  - standard pluggable terminal blocks
  - standard screw terminal blocks
  - without terminal blocks (closed housing)

### Order list for complete enclosure (pluggable screw terminal blocks)

Configuration	Width	Color	Part Number
Front cover	157 mm	transparent	104394
Top part for pluggable screw terminal blocks	157 mm	grey	104398
PCB header (5 mm pitch)			on request
Pluggable screw terminal block (5 mm pitch)			on request
Base part with pre-assembled clip	157 mm	black	104396

### Order list for complete enclosure (screw terminal blocks)

Configuration	Width	Color	Part Number
Front cover	157 mm	transparent	104394
Top part for screw terminal blocks	157 mm	grey	104397
Screw terminal block (5 mm pitch)			on request
Base part with pre-assembled clip	157 mm	black	104396

### Order list for complete enclosure (closed top part)

Configuration	Width	Color	Part Number
Front cover	157 mm	transparent	104394
Top part closed	157 mm	grey	104399
Base part with pre-assembled clip	157 mm	black	104396

### Additional components

Configuration	Part Number
Mounting screw (M 2.9 x 6.5 mm)	835702
Wall mounting clip	364909

# IDG-B Enclosures

## Part Number Index



Part Number	Page
064068	9
064074	9
064093	8
064095	8
064236	8
064237	9
064940	9
064941	9
064944	8
064945	8
104394	11
104396	11
104397	11
104398	11
104399	11
104402	10
104404	10
104405	10
104406	10
104407	10
364909	8, 9, 10, 11
835702	8, 9, 10, 11





ERMEC, S.L. BARCELONA  
C/ Francesc Teixidó, 22  
08918 Badalona SPAIN

Tel. +34 902 450 160  
info@ermec.com  
www.ermec.com

ERMEC, S.L. - MADRID  
C/ Puerto Rico, 4  
28222 Majadahonda (Madrid) SPAIN

bilbao@ermec.com  
portugal@ermec.com



Find your correct contact person  
on [erni.com/locations](https://www.erni.com/locations)

© ERNI International AG 2020 • Printed in Germany • A policy of continuous improvement is followed and the right to alter any published data without notice is reserved. ERNI®, ERNI WoR&D®, CONNECTED BY COMPETENCE®, MicroBridge®, MicroCon®, MicroStac®, MicroSpeed®, MiniBridge®, MaxiBridge®, iBridge Ultra®, ERmet®, ERmet ZD®, ERmet ZDplus®, ERmet ZD HD®, ERbic®, ZipCon® and INTERact® are trademarks (registered or applied for in various countries) of ERNI Production GmbH & Co. KG.



ERMEC, S.L. BARCELONA  
C/ Francesc Teixidó, 22  
08918 Badalona SPAIN

Tel. +34 902 450 160  
info@ermec.com  
www.ermec.com

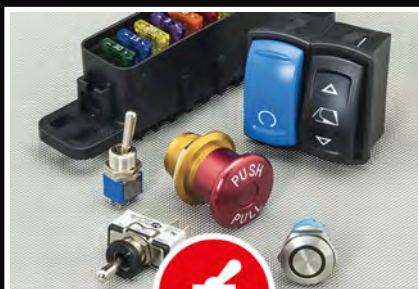
ERMEC, S.L. - MADRID  
C/ Puerto Rico, 4  
28222 Majadahonda (Madrid) SPAIN

bilbao@ermec.com  
portugal@ermec.com





## +Información del producto



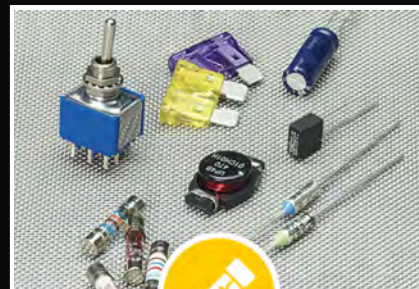
### INTERRUPTORES

Pulsadores, Interruptores, para PCB, de Palanca, E-Stops, Piezoeléctricos, Antivandálicos, Microswitches



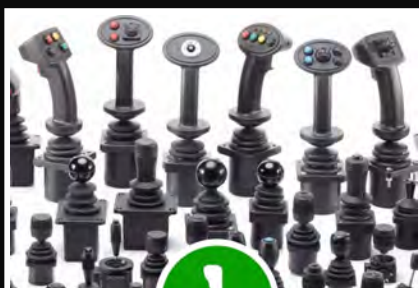
### CONEXIÓN

Conectores circulares, Bases y conectores IEC, Cables flexibles



### ELECTRÓNICA

Componentes para la protección y medición electrónica, Conectores PCB, Fusibles, Relés, Pilas



### JOYSTICKS

Joysticks, Trackballs, Single Axis, HandGrips



### TECLADOS

Teclados y Paneles



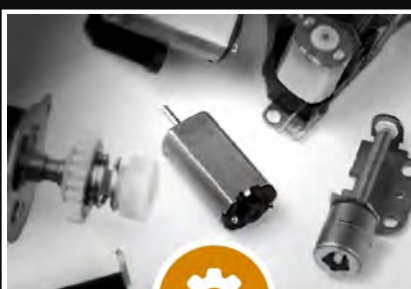
### PILOTOS

Indicadores led, Pilotos, Lámparas



### SENSORES

Sensores Reed, Sensores y Limitadores de temperatura, Sensores de proximidad



### MOTION

Motores, Motorreductores, Encóders, Solenoides, Actuadores lineales, PMG



### VENTILACIÓN

Ventiladores de AC y DC, accesorios y unidades de ventilación