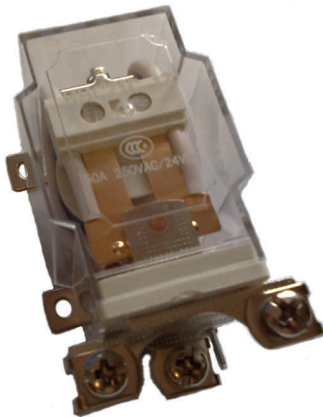


# HHC71C

High power industrial relays

# DURAKOOL



- Up to 50A switching capability
- Flange Bracket Mounting
- AC & DC Coils
- Dust Cover as standard
  
- RoHS Compliant
- UL Recognized



## Contacts

Number and type of contacts	SPST-NO, SPST-NC, SPDT	
Contact Material	Silver Alloy	
Rated voltage / max. switching voltage	250VAC / 24VDC	
Max. breaking capacity	50A	
<b>Coil</b>		
Rated voltage 50/60Hz	AC	6...380V - See Table 2
	DC	6...110V - See Table 1
Rated power consumption	AC	6.5VA
	DC	2W
<b>Insulation</b>		
Insulation resistance	500MΩ 500VDC	
Dielectric strength		
• between coil and contacts	2500VAC	
• Between contacts	1500VAC	
<b>General Data</b>		
Ambient temperature:	(operating / storage)	-40°C to +70°C
Operating time (typical)	≤ 25ms	
Release time (typical)	≤ 25ms	
Electrical life:	(resistive AC1 )	5 x 10 <sup>4</sup>
Mechanical life (cycles)	1 x 10 <sup>6</sup>	
Cover protection category	IP20	
Shock resistance	Functional 10G; Destruction 100G	
Vibration resistance	10-55Hz at D.A 1.5mm	
Weight (approx)	169g	



© American Electronic Components Inc 2008

American Electronic Components Inc.,  
1101 Lafayette Street, Elkhart, Indiana. USA  
Tel: +1-574-295-6330 Fax: +1-574-293-8013  
Email: [sales@aecsensors.com](mailto:sales@aecsensors.com)  
<http://www.aecsensors.com>

# HHC71C

High power industrial relays



Coil Data

Table 1

Coil Voltage Code	Nominal Voltage	Resistance	Must Operate	Must Release
			Voltage max.	Voltage min.
	VDC	( $\Omega$ ) $\pm$ 10%	VDC	VDC
1006	6	18	4.50	0.6
1009	9	40.5	6.75	0.9
1012	12	72	9.00	1.2
1024	24	288	18.00	2.4
1048	48	1125	36.00	4.8
1060	60	1800	45.00	6.0
1110	110	6050	82.50	11.00

Coil Data

Table 2

Coil Voltage Code	Nominal Voltage	Resistance	Must Operate	Must Release
			Voltage max.	Voltage min.
	VAC	( $\Omega$ ) $\pm$ 10%	VAC	VAC
5006	6	2.0	4.80	1.8
5009	9	4.4	7.2	2.7
5012	12	7.8	9.6	3.6
5024	24	31.0	19	7.2
5048	48	124.0	38.4	14.4
5110	110	650.0	88.0	33.0
5220	220	2600.0	176	66.0



American  
Electronic  
Components, Inc.

© American Electronic Components Inc 2008

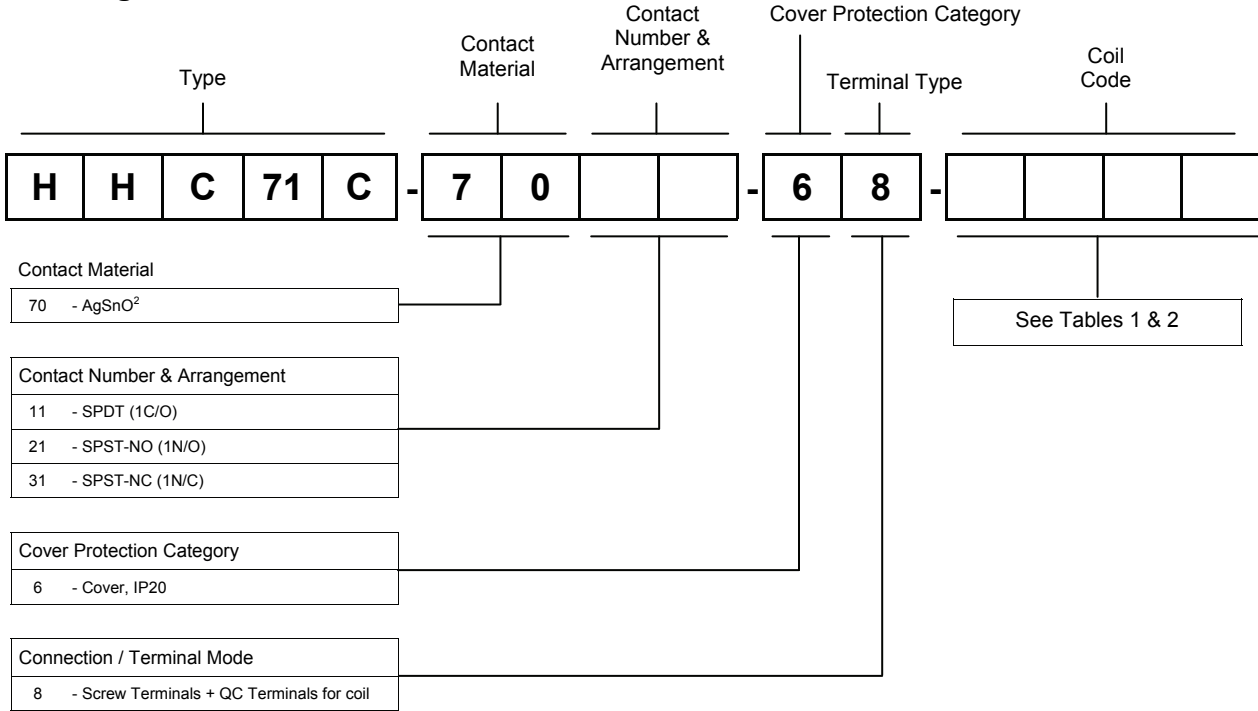
American Electronic Components Inc.,  
1101 Lafayette Street, Elkhart, Indiana. USA  
Tel: +1-574-295-6330 Fax: +1-574-293-8013  
Email: [sales@aecsensors.com](mailto:sales@aecsensors.com)  
<http://www.aecsensors.com>

# HHC71C

High power industrial relays

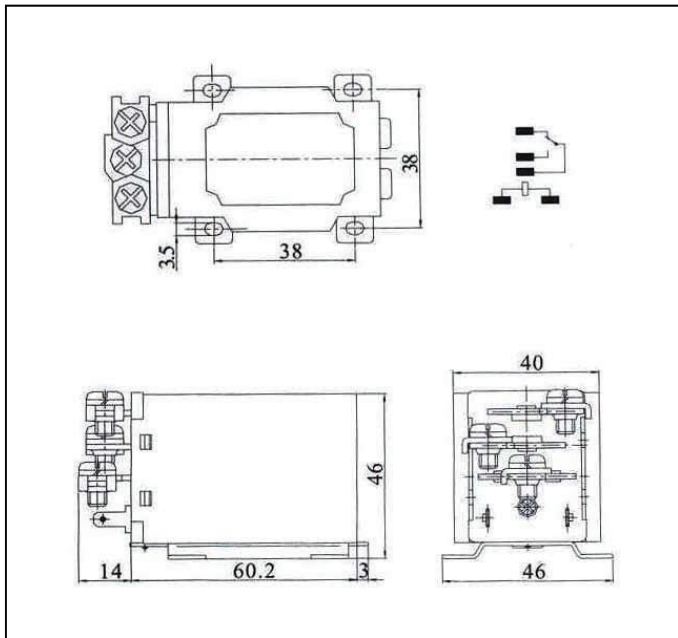


## Ordering Codes



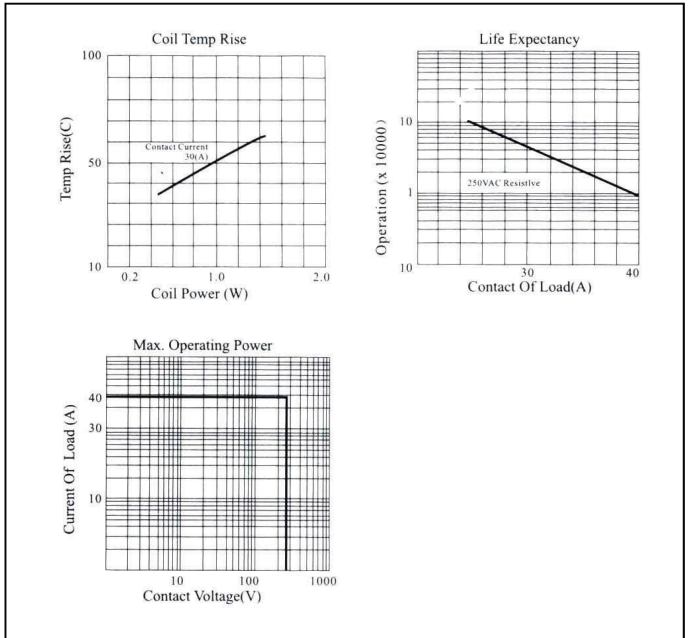
## Overall Dimensions

Fig. 1



## Reference Graphs

Fig. 2



**American  
Electronic  
Components, Inc.**

© American Electronic Components Inc 2008

**American Electronic Components Inc.,**  
 1101 Lafayette Street, Elkhart, Indiana. USA  
 Tel: +1-574-295-6330 Fax: +1-574-293-8013  
 Email: [sales@aecensors.com](mailto:sales@aecensors.com)  
<http://www.aecensors.com>