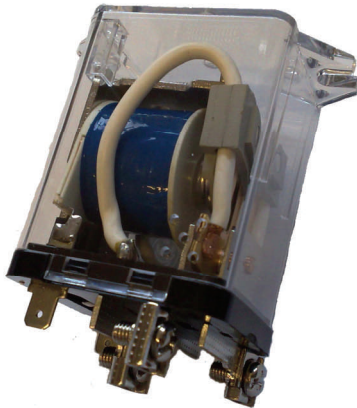


# HHC71E

High power industrial relays

# DURAKOOL



- Up to 80A switching capability
- Top Flange Mounting
- AC & DC Coils
- Dust Cover as standard
  
- RoHS Compliant
- UL Recognized



## Contacts

Number and type of contacts	SPST-NO, SPST-NC, SPDT, DPST-NO, DPST-NC, DPDT	
Contact Material	Silver Alloy	
Rated voltage / max. switching voltage	250VAC / 24VDC	
Max. breaking capacity	80A	
<b>Coil</b>		
Rated voltage 50/60Hz	AC	6...380V - See Table 2
	DC	6...110V - See Table 1
Rated power consumption	AC	3.6W (commutating)
	DC	3.6W
<b>Insulation</b>		
Insulation resistance	500M $\Omega$ 500VDC	
Dielectric strength		
• between coil and contacts	2500VAC	
• Between contacts	1500VAC	
<b>General Data</b>		
Ambient temperature:	(operating / storage)	-40°C to +70°C
Operating time (typical)	$\leq$ 25ms	
Release time (typical)	$\leq$ 25ms	
Electrical life:	(resistive AC1)	$2 \times 10^4$
Mechanical life (cycles)	$1 \times 10^6$	
Cover protection category	IP20	
Shock resistance	Functional 10G; Destruction 100G	
Vibration resistance	10-55Hz at D.A 1.5mm	
Weight (approx)	250g	



© American Electronic Components Inc 2008

American Electronic Components Inc.,  
1101 Lafayette Street, Elkhart, Indiana. USA  
Tel: +1-574-295-6330 Fax: +1-574-293-8013  
Email: [sales@aecsensors.com](mailto:sales@aecsensors.com)  
<http://www.aecsensors.com>

# HHC71E

High power industrial relays



Coil Data

Table 1

Coil Voltage Code	Nominal Voltage	Resistance	Must Operate	Must Release
			Voltage max.	Voltage min.
	VDC	( $\Omega$ ) $\pm$ 10%	VDC	VDC
1006	6	10	4.50	0.6
1009	9	22.5	6.75	0.9
1012	12	40	9.00	1.2
1024	24	160	18.00	2.4
1048	48	640	36.00	4.8
1060	60	1000	45.00	6.0
1110	110	3360	82.50	11.00

Coil Data

Table 2

Coil Voltage Code	Nominal Voltage	Resistance	Must Operate	Must Release
			Voltage max.	Voltage min.
	VAC	( $\Omega$ ) $\pm$ 10%	VAC	VAC
5006	6	8.0	4.80	0.9
5009	9	17.5	7.2	1.3
5012	12	31.0	9.6	1.8
5024	24	124	19	3.6
5048	48	500	38.4	7.4
5060	60	780	48.0	9.0
5110	110	2600	88.0	16.5
5220	220	10400	176	33
5380	380	31000	304	57



American  
Electronic  
Components, Inc.

© American Electronic Components Inc 2008

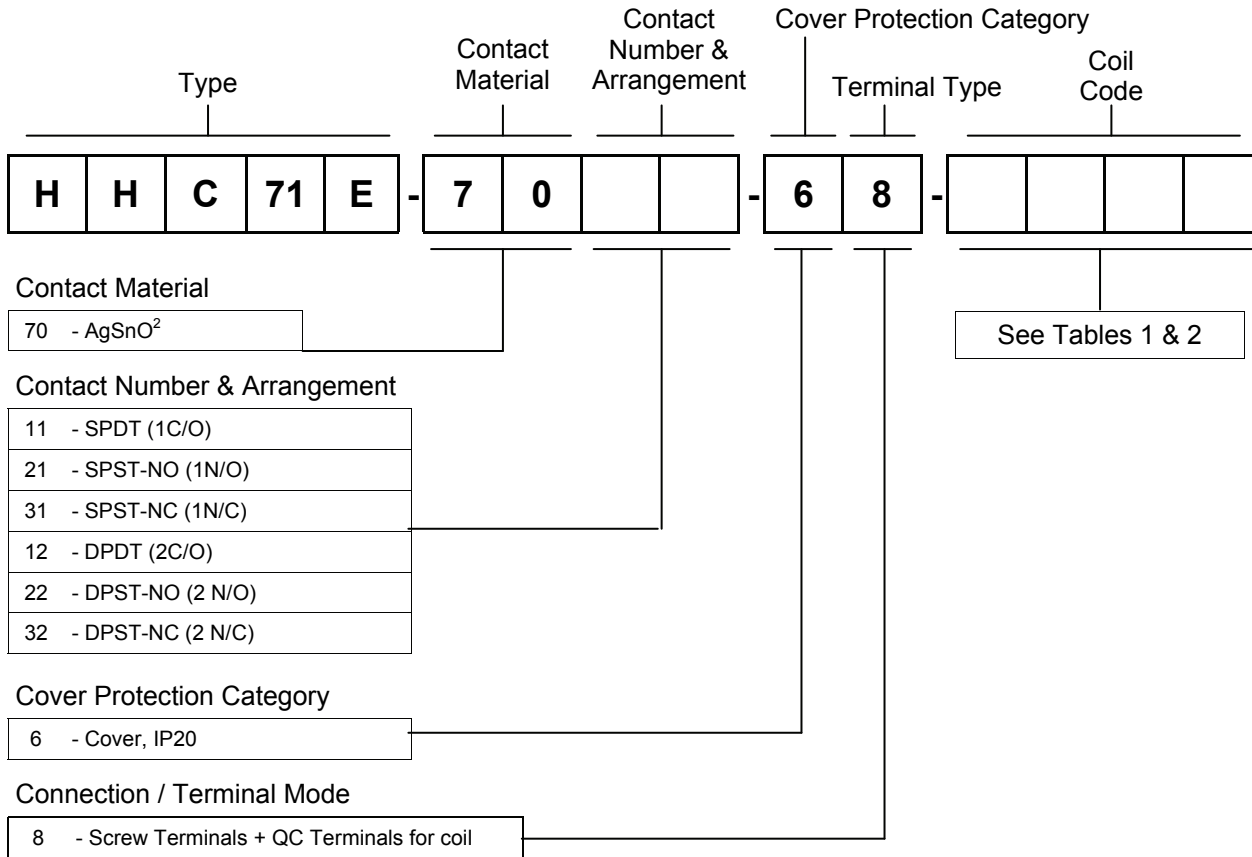
American Electronic Components Inc.,  
1101 Lafayette Street, Elkhart, Indiana. USA  
Tel: +1-574-295-6330 Fax: +1-574-293-8013  
Email: [sales@aecsensors.com](mailto:sales@aecsensors.com)  
<http://www.aecsensors.com>

# HHC71E

High power industrial relays

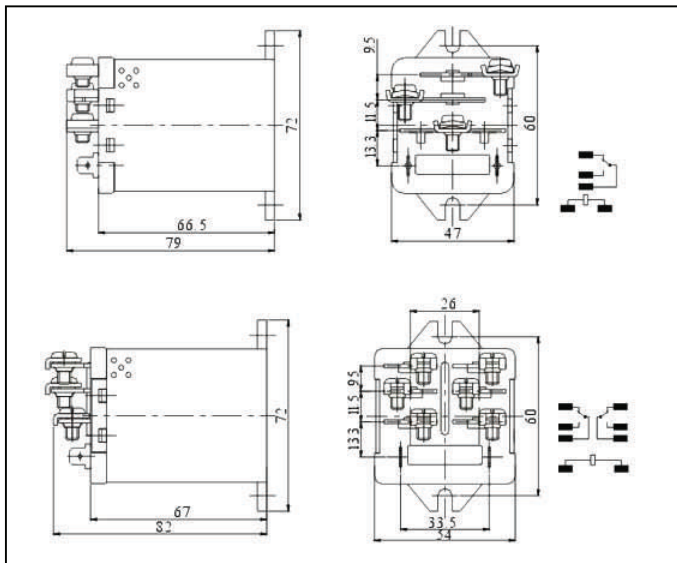


## Ordering Codes



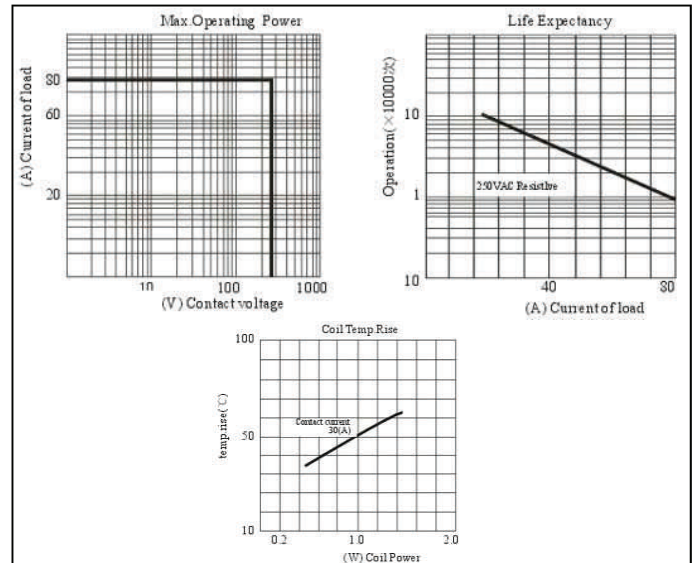
Overall Dimensions

Fig. 1



Reference Graphs

Fig. 2



**American Electronic Components, Inc.**

© American Electronic Components Inc 2008

**American Electronic Components Inc.,**  
 1101 Lafayette Street, Elkhart, Indiana, USA  
 Tel: +1-574-295-6330 Fax: +1-574-293-8013  
 Email: [sales@aecsensors.com](mailto:sales@aecsensors.com)  
<http://www.aecsensors.com>