

HHC71F

High power industrial relays



- Up to 100A switching capability
- Industry Standard Configuration
- AC & DC Coils
- Integral DIN Rail Mount or Chassis Mounting
- Dust Cover as standard

- RoHS Compliant
- UL Recognized



Contacts

Number and type of contacts	SPST-NO, SPST-NC, SPDT, DPST-NO, DPST-NC, DPDT	
Contact Material	Silver Alloy	
Rated voltage / max. switching voltage	250VAC / 24VDC	
Max. breaking capacity	SP Types: 100A, DP Types: 80A	
Coil		
Rated voltage 50/60Hz	AC	6...220V - See Table 2
	DC	6...110V - See Table 1
Rated power consumption	AC	17.5VA
	DC	2W
Insulation		
Insulation resistance	1000MΩ 500VDC	
Dielectric strength		
• between coil and contacts	2500VAC	
• Between contacts	1500VAC	
General Data		
Ambient temperature:	(operating / storage)	-40°C to +70°C
Operating time (typical)	≤ 25ms	
Release time (typical)	≤ 25ms	
Electrical life:	(resistive AC1)	2 x 10 ⁴
Mechanical life (cycles)	5 x 10 ⁶	
Cover protection category	IP20	
Shock resistance	Functional 10G; Destruction 100G	
Vibration resistance	10-55Hz at D.A 1.5mm	
Weight (approx)	220g SP Types; 340g DP Types	



© American Electronic Components Inc 2008

American Electronic Components Inc.,
1101 Lafayette Street, Elkhart, Indiana. USA
Tel: +1-574-295-6330 Fax: +1-574-293-8013
Email: sales@aecsensors.com
<http://www.aecsensors.com>

HHC71F

High power industrial relays



Coil Data

Table 1

Coil Voltage Code	Nominal Voltage	Resistance	Must Operate	Must Release
			Voltage max.	Voltage min.
	VDC	(Ω) \pm 10%	VDC	VDC
1006	6	18	4.50	0.6
1009	9	40.5	6.75	0.9
1012	12	72	9.00	1.2
1024	24	288	18.00	2.4
1048	48	1152	36.00	4.8
1060	60	1800	45.00	6.0
1110	110	6050	82.50	11.00

Coil Data

Table 2

Coil Voltage Code	Nominal Voltage	Resistance	Must Operate	Must Release
			Voltage max.	Voltage min.
	VAC	(Ω) \pm 10%	VAC	VAC
5006	6	0.8	4.80	1.8
5009	9	1.8	7.2	2.7
5012	12	3	9.6	1.2
5024	24	11.5	19.00	3.6
5048	48	46	36.00	7.2
5060	60	72	48.00	18.0
5110	110	422	88.00	33.00
5220	220	968	176	66
5360	360	2888	304	114



American
Electronic
Components, Inc.

© American Electronic Components Inc 2008

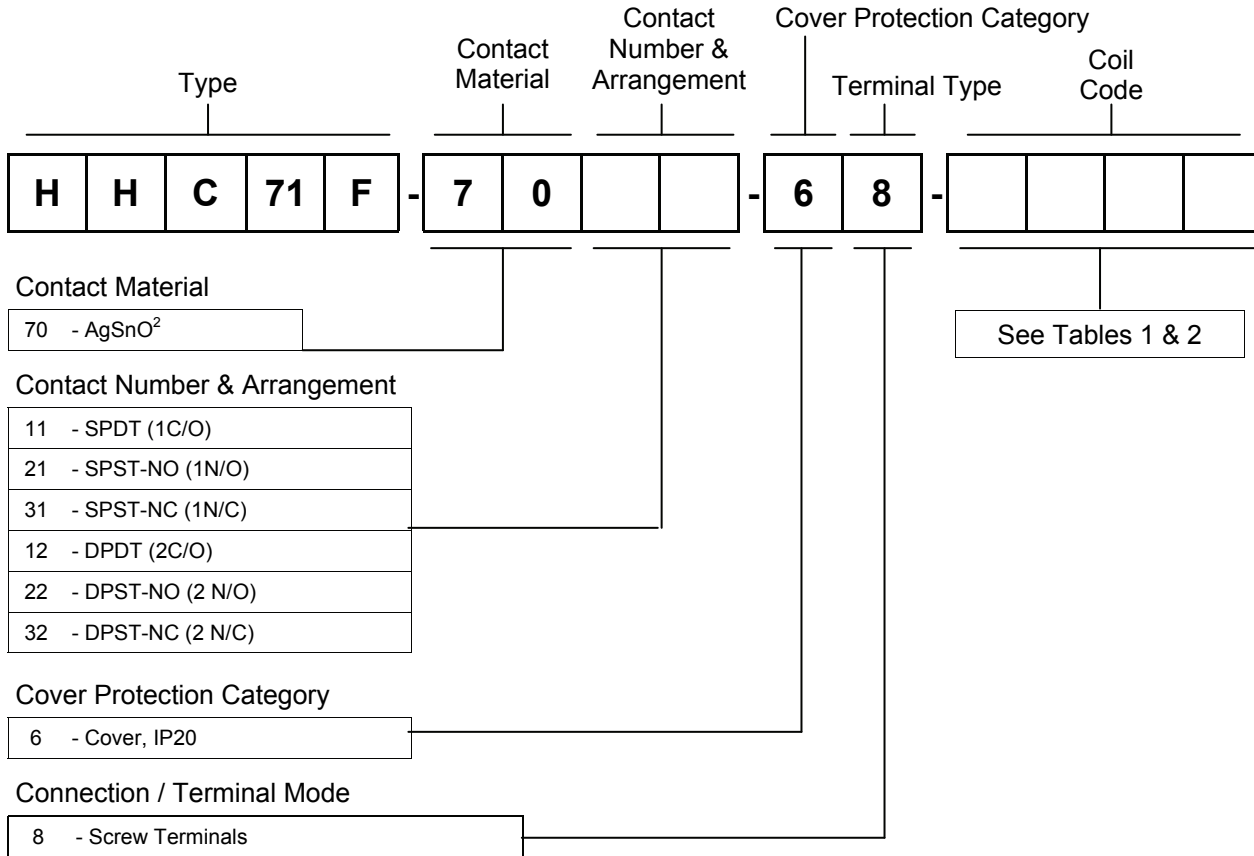
American Electronic Components Inc.,
1101 Lafayette Street, Elkhart, Indiana. USA
Tel: +1-574-295-6330 Fax: +1-574-293-8013
Email: sales@aecensors.com
<http://www.aecensors.com>

HHC71F

High power industrial relays

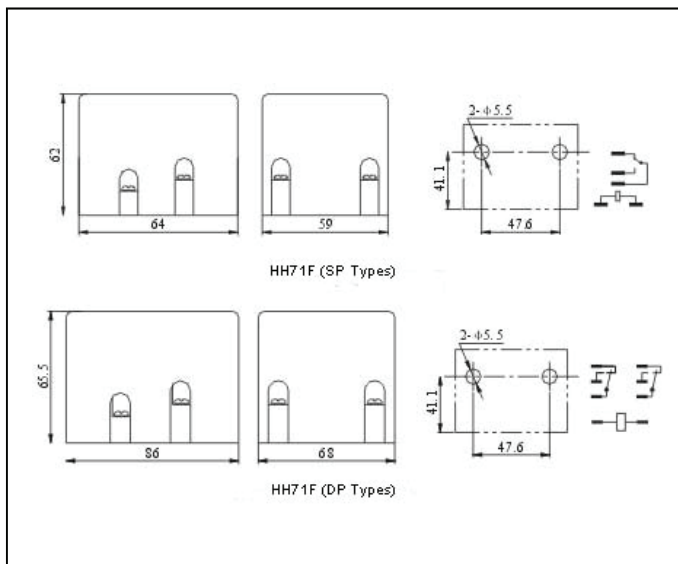


Ordering Codes



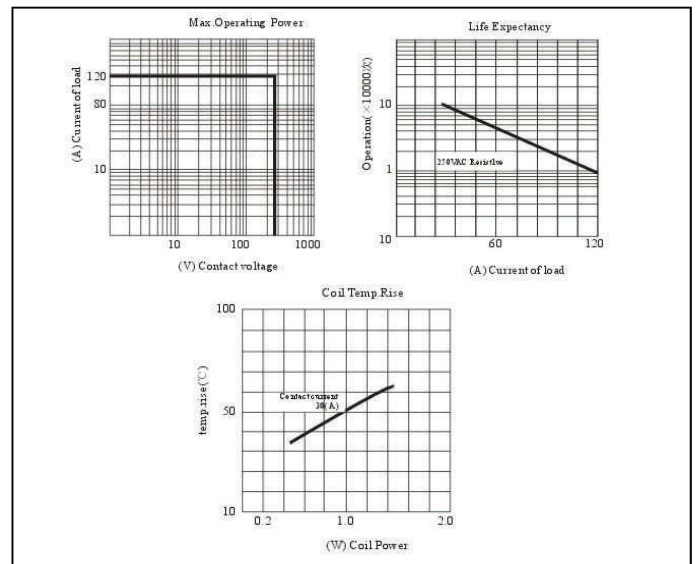
Overall Dimensions

Fig. 1



Reference Graphs

Fig. 2



American Electronic Components, Inc.

© American Electronic Components Inc 2008

American Electronic Components Inc.,
 1101 Lafayette Street, Elkhart, Indiana, USA
 Tel: +1-574-295-6330 Fax: +1-574-293-8013
 Email: sales@aecensors.com
<http://www.aecensors.com>