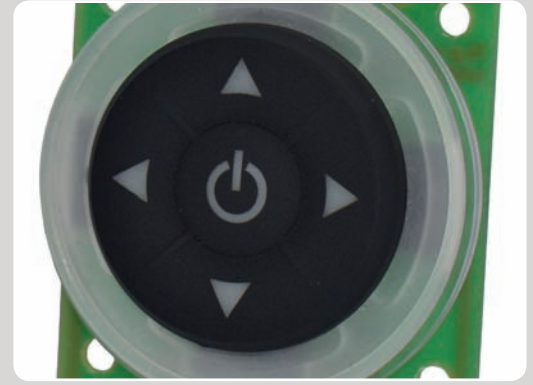


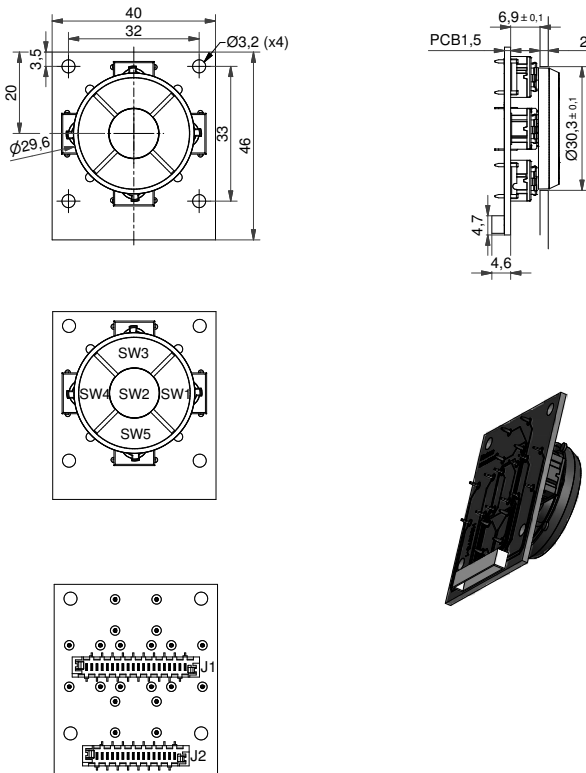
- Module should be attached to the front plate with bolts (bolts not supplied by MEC)
- Round cap
- Panel sealed or non-panel sealed solution
- Ø29.5 mm
- h =12.3 mm; 12.0 mm
- Temp. Range:
 - Solid cap: -40/+65°C
 - Transparent cap: -40/+85°C
- Panel cut-out: 1ZW/1Z module-Ø30.3

All dimensions in mm

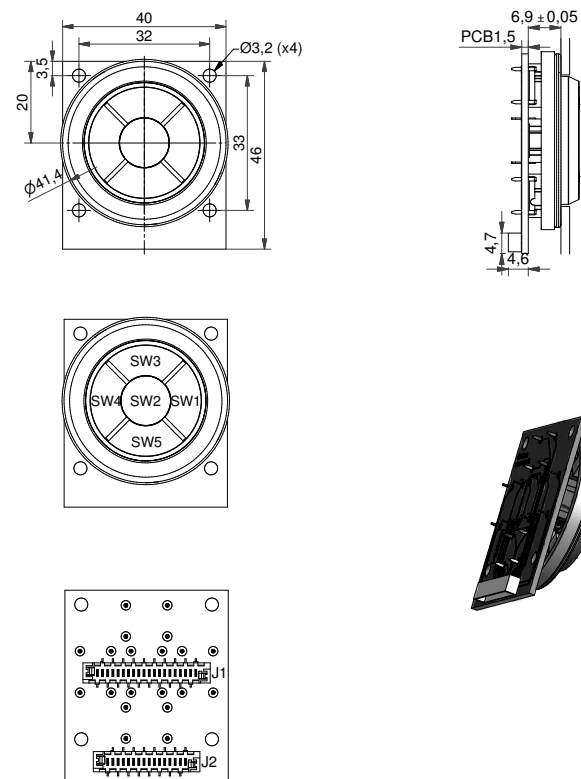


DIMENSIONS

1Z



1ZW



HOW TO ORDER

controlmec™ Module ordering options:

- controlmec™ Module excl. keycaps
- controlmec™ Module incl. keycaps
- controlmec™ Module incl. keycaps with legends
- illuminated controlmec™ Module excl. keycaps
- illuminated controlmec™ Module incl. keycaps with legends
- Sealed controlmec™ Module excl. keycaps
- Sealed controlmec™ Module incl. keycaps
- Sealed controlmec™ Module incl. keycaps with legends
- Sealed illuminated controlmec™ Module excl. keycaps
- Sealed illuminated controlmec™ Module incl. keycaps with legends

Part no. for PCB and connector - 9810130

Part no. for switches and caps:

controlmec™ Module has many customisation options regarding actuation force, cap and LED colours and legends. Because of that ordering is based on part numbers of separate parts instead of one specific part number. MEC has the switches mounted on the module before delivery, which is included in the module price.

See previous page for information on switch and cap options as well as the examples below.

SEE THE CIRCUIT DIAGRAM AND CONNECTOR INFO ON PAGE 43

Ordering example: 9810130 + 5GTH965+1Z00+4x 5ETH965 (without illumination)
 9810130 + 5GTH93561+1Z16LM123136+4x 5ETH935 (with illumination)
 9810130 + 5GTH935+1ZW08+4x 5ETH935+1ZZ+1ZY (sealed without illumination)
 9810130 + 5GTH96582+1ZW16LM118136+4x 5ETH965+1ZZ+1ZY (sealed with illumination)
 Please see colour codes, updates of products and changes of specifications on www.mec.dk