

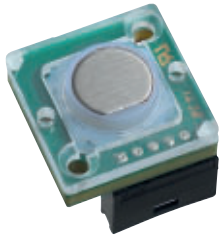
# PR and V series

**New!**

Stainless steel keys

*Distinctive features - Specifications - Overview*

UG1006-A



- Rear mounting
- Recessed, flush or raised, depending on panel thickness
- Custom marking on request

## ENVIRONMENTAL SPECIFICATIONS

- Frontal sealing : IP65 according to NFC 21-010, IEC 60529 and DIN 40050
- Operating temperature : -20°C to +70°C
- Storage temperature : -40°C to +85°C
- Impact resistance : IK07 for PR series, IK09 for V series
- Flame resistance : 30 seconds. With lighters, matches, cigarettes (vertical position with direct flame on keys)
- Salt spray : 96 hours at +35°C NaCl 5 %
- Washable : most commonly used detergents and solvents

## MATERIALS

- Keytop : 316L stainless steel
- Keys : ABS or PA6 nylon (illuminated versions)
- Key holder : ABS or PA6
- Frame : 316L stainless steel
- PCB : FR4
- Seal : 0,4 mm thick silicone
- Actuator : stainless steel snap domes AISI 304

## ELECTRICAL AND GENERAL SPECIFICATIONS

- Output type : matrix
- Max. current/voltage rating : 50mA at 24VDC
- Switch resistance ON : < 10 ohms
- Switch resistance OFF : > 1 Gohm at 500V
- Operating force : 4N +/- 0,5N
- Life expectancy : > 1 million
- LED backlight : 12 VDC (standard)
- Panel thickness : 1,5 mm (.059) to 3 mm (.118) max.



### Models

- PRO** 82 series
- VOO** 9 series, dia. 20 mm round key
- VHO** 9 series, dia. 20 mm round key with halo
- VQO** 9 series, 22x22 mm square key
- VQR** 9 series, 17x17 mm square key
- VRO** 9 series, dia. 17 mm round key



### No of keys

- 01** 1 key



### Frame

- 0** No frame



### Illumination

- 0** Non-illuminated
- L** Illuminated



### LED colours

- OR** Red
- OB** Blue
- OG** Green
- OY** Yellow
- OW** White \*
- RB** Red/blue
- RG** Red/green

Other on request.

\* Except for VHO



### Voltage

- 05** 5V
- 12** 12V (std)
- 24** 24V

Options available on request : Custom marking - Keypads (4, 12, 16 keys)



Dimensions : Drawing dimensions are in mm.

ERMEC, S.L. BARCELONA  
C/ Francesc Teixidó, 22  
E-08918 Badalona  
(Spain)

Tel.: (+34) 902 450 160  
Fax: (+34) 902 433 088  
[info@ermec.com](mailto:info@ermec.com)  
[www.ermec.com](http://www.ermec.com)

ERMEC, S.L. MADRID  
C/ Sagasta, 8, 1ª planta  
E-28004 Madrid  
(Spain)

PORTUGAL  
[portugal@ermec.com](mailto:portugal@ermec.com)  
BILBAO  
[bilbao@ermec.com](mailto:bilbao@ermec.com)

# PR and V series

Stainless steel keys

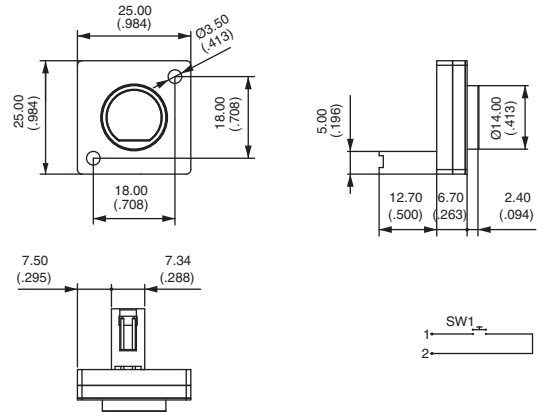
**New!**

Models

## PR series

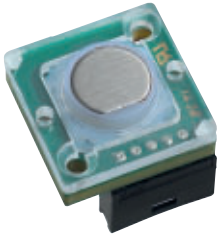


Non-illuminated  
PR001

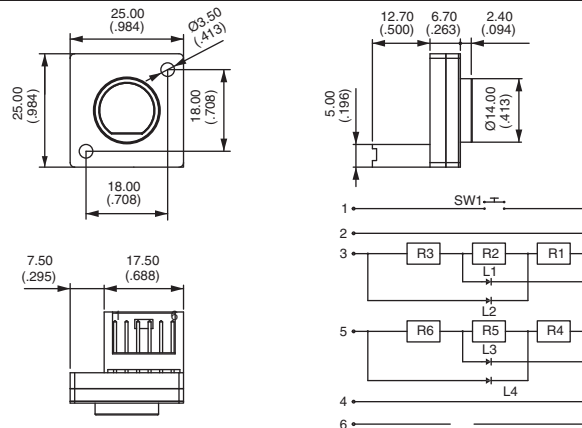


B

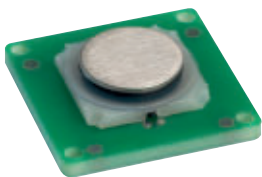
## PR series - illuminated



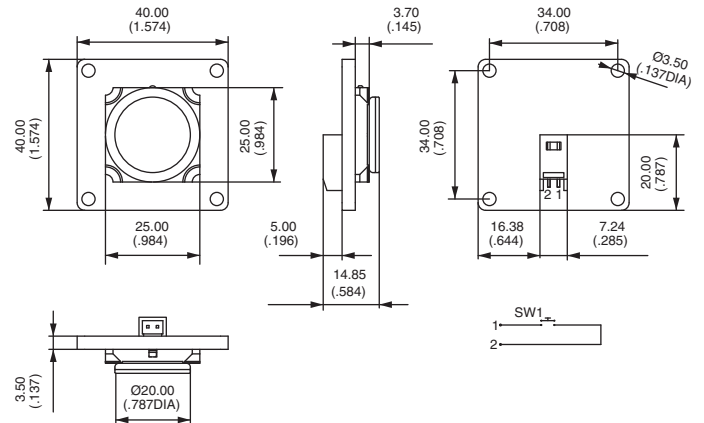
Illuminated, blue  
PR0010LOB12



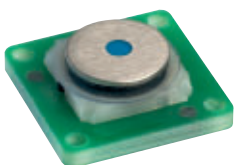
## V series - dia. 20 mm round keys



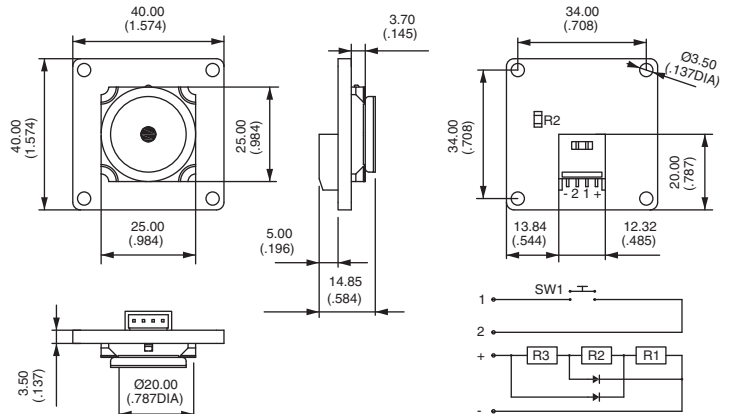
Non-illuminated  
V0001



## V series - dia. 20 mm round keys - illuminated



Illuminated, blue  
V00010LOB12



**ERMEC**  
www.ermec.com

B-200 Distribución de componentes eléctricos y electrónicos

ERMEC, S.L. BARCELONA  
C/ Francesc Teixidó, 22  
E-08918 Badalona  
(Spain)

Tel.: (+34) 902 450 160  
Fax: (+34) 902 433 088  
info@ermec.com  
www.ermec.com

ERMEC, S.L. MADRID  
C/ Sagasta, 8, 1ª planta  
E-28004 Madrid  
(Spain)

PORTUGAL  
portugal@ermec.com  
BILBAO  
bilbao@ermec.com

# PR and V series

New!

Stainless steel keys

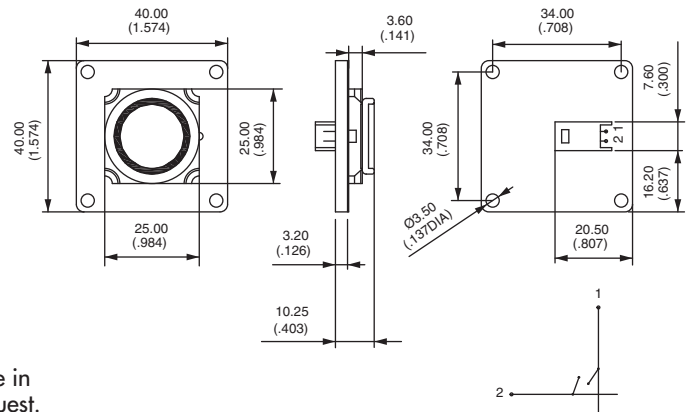
Models

## V series - dia. 20 mm round keys with halo



Non-illuminated  
VH001

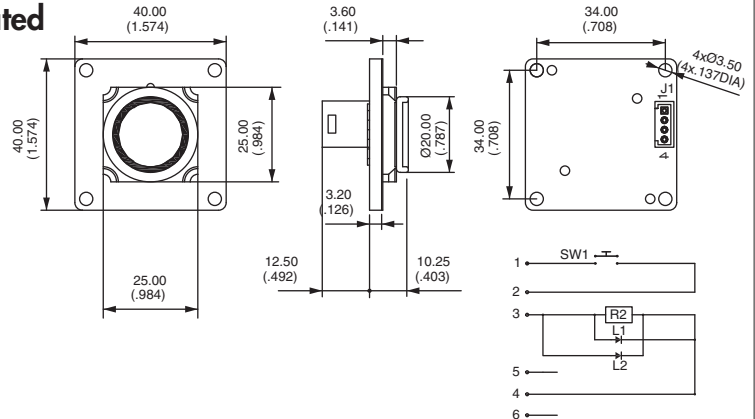
All non-illuminated versions are available in ABS black or transparent opaline on request.



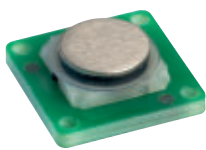
## V series - dia. 20 mm keys with halo - illuminated



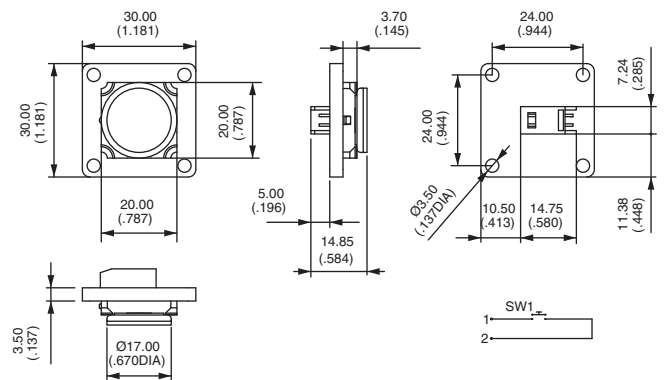
Illuminated blue  
VH0010L0B12



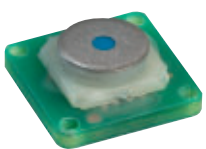
## V series - dia. 17 mm round keys



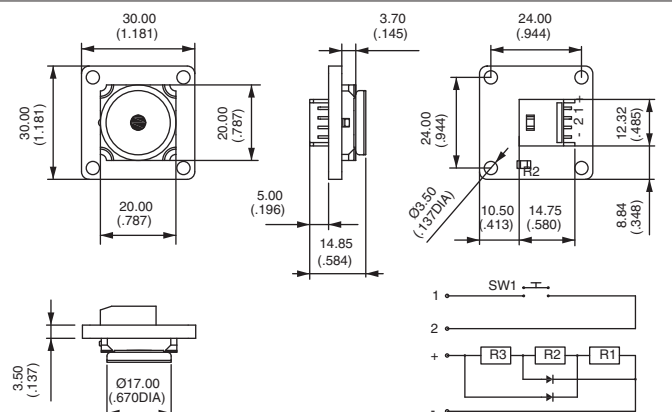
Non-illuminated  
VR001



## V series - dia. 17 mm round keys - illuminated



Illuminated, blue  
VR0010L0B12



**ERMEC**

www.ermec.com

APEM

Distribución de componentes eléctricos y electrónicos

ERMEC, S.L. BARCELONA  
C/ Francesc Teixidó, 22  
E-08918 Badalona (Spain)

Tel.: (+34) 902 450 160  
Fax: (+34) 902 433 088  
info@ermec.com  
www.ermec.com

ERMEC, S.L. MADRID  
C/ Sagasta, 8, 1ª planta  
E-28004 Madrid (Spain)

PORTUGAL  
portugal@ermec.com  
BILBAO  
bilbao@ermec.com

B

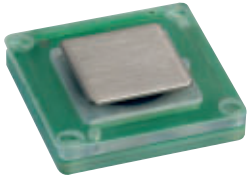
# PR and V series

Stainless steel keys

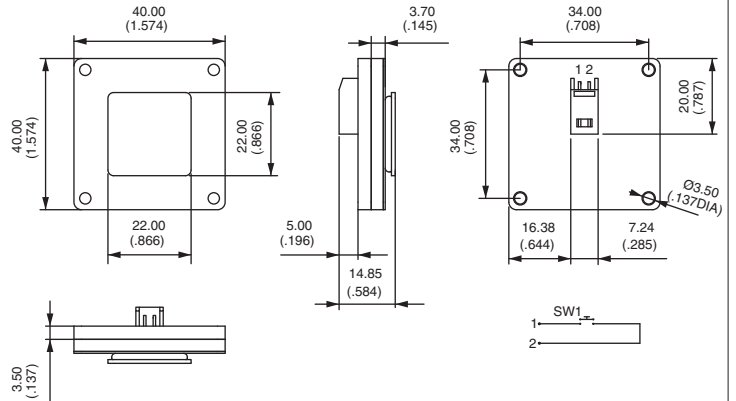
**New!**

Models

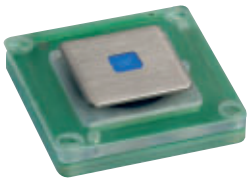
## V series - 22x22 mm square keys



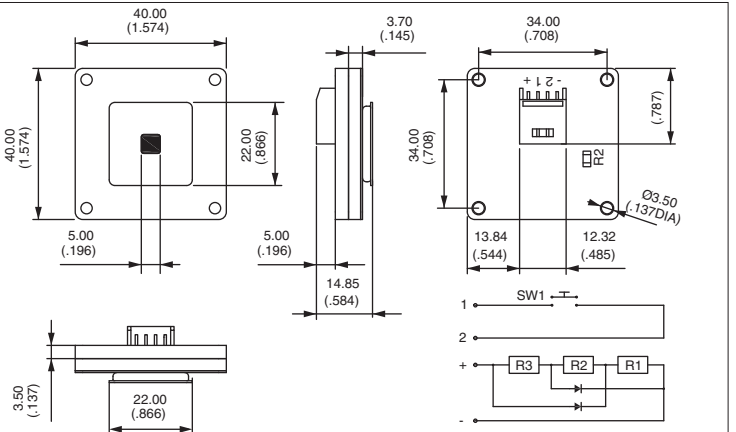
Non-illuminated  
VQ001



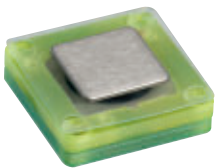
## V series - 22x22 mm square keys - illuminated



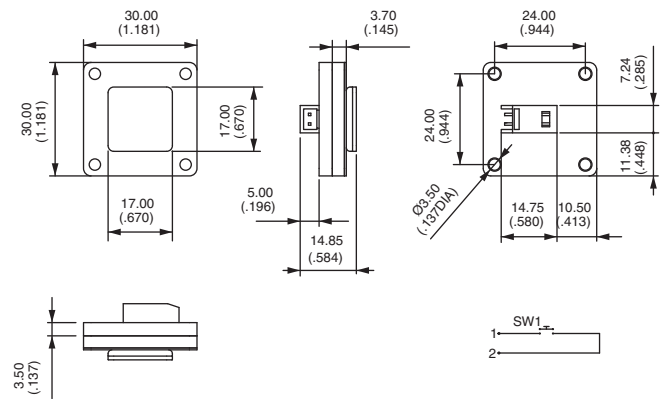
Illuminated, blue  
VQ0010LOB12



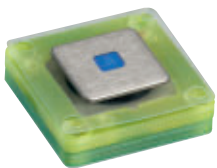
## V series - 17x17 mm square keys



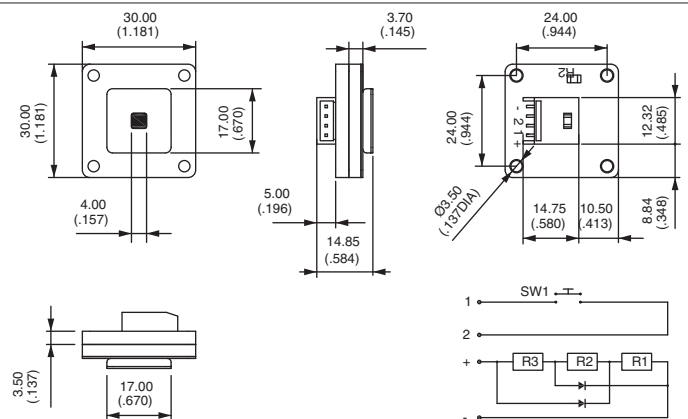
Non-illuminated  
VQR01



## V series - 17x17 mm square keys - illuminated



Illuminated, blue  
VQR010LOB12



**ERMEC**  
www.ermec.com

ERMEC, S.L. BARCELONA  
C/ Francesc Teixidó, 22  
E-08918 Badalona  
(Spain)

Tel.: (+34) 902 450 160  
Fax: (+34) 902 433 088  
info@ermec.com  
www.ermec.com

ERMEC, S.L. MADRID  
C/ Sagasta, 8, 1ª planta  
E-28004 Madrid  
(Spain)

PORTUGAL  
portugal@ermec.com  
BILBAO  
bilbao@ermec.com