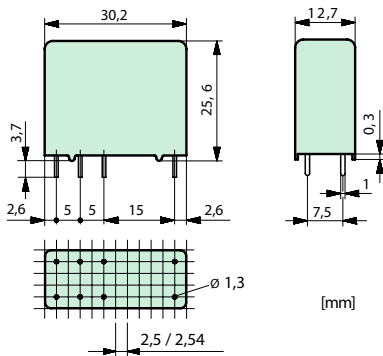


SIR282 sensitive Series

Relay Key Data

- PCB relay with forcibly guided Contacts
- Protective separation between Coil and Contacts (Air and Creepage Distance >14mm); Protective separation between left and right Contact Side (Air and Creepage Distance >5.5mm)
- EN50205 Type B
- 2 Change-Over Contacts
- Mean Coil Power approx. 0.7W
- Holding Power 0.21W

Dimensions



Contact Data

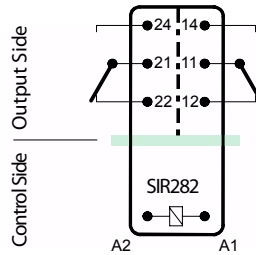
Contact Material	AgSnO ₂ +0.2µm Au
Type of Contact	Single Contact
Rated Switching Capacity	250VAC 8A AC1 2'000VA
Electr. life AC1(360 cycles/h)	approx. 100'000
Inrush Current max.	15A for 20ms
Switching Voltage Range	5 to 250 VDC/VAC
Switching Current Range*	10mA to 8A
Switching Capacity Range*	120mW to 2'000W(VA)
Contact resistance (as delivered)	≤100mΩ/28V/100mA

*Guided Values

Standard Coils for direct current (other voltages on request)

Nominal Voltage VDC	Min. Pick-Up Voltage at 20°C	Drop-Out Voltage at 20 °C	Nominal Current in mA	Resistance in Ohm at 20 °C
5	3.75	≥0.5	144.0	34.7 ± 10%
6	4.5	≥0.6	120.0	50 ± 10%
12	9.0	≥1.2	60.0	200 ± 10%
18	13.5	≥1.8	40.0	450 ± 10%
24	18.0	≥2.4	30.0	800 ± 10%
48	36.0	≥4.8	15.0	3'200 ± 10%
60	45.0	≥6.0	12.0	5'000 ± 13%
110	82.5	≥11.0	6.5	16'800 ± 15%

Circuit Diagram (Topview)



Insulation Data

- Double or Reinforced Insulation at 250VAC
- Air and Creepage Distance >5.5mm
- Test Voltage 4'000V/50Hz/1min
- Double or Reinforced Insulation at 250VAC
- Air and Creepage Distance >14mm
- Test Voltage 5'000V/50Hz/1min

Test Voltage contacts open	v1'500V/50Hz/1min
Creepage Resistance	CTI 250
Pollution Degree	2
Overvoltage Category	III
Insulation Resistance at Up 500VDC	>100 MΩ

Additional Relay Data

Mechanical life	>10x10 ⁶ operations
Switching frequency, mechanical	15Hz
Response Time (all NO closed)	typ. 12ms
Drop-Out Time** (all NC closed)	typ. 5ms
Bounce Time of NO Contact	typ. 4ms
Bounce Time of NC Contact	typ. 8ms
Shock Resistance 16ms	NO > 10g NC > 2.5g
Vibration Resistance (10-200Hz)	NO > 10g NC > 1g
Resistance to short circuiting output contacts	1'000A SCPD 10A qG/qL (pre-fuse)
Ambient Temperature	-40°C to +70°C
Thermal Resistance	50 K/W
Temperature Limit for Coil	120°C
Weight	approx. 20g
Mounting Position	any
Type of Protection	RT II
Solder bath Temperature	270°C/5s

**without spark suppression

Tests, Regulations

Approvals

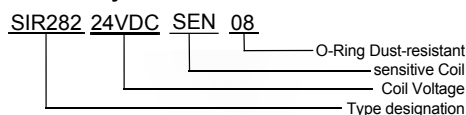


UL File E188953	Sec. 1
Insulation class (IEC 60664-1)	250VAC
Protection class II	VDE 0106
Fire Protection requirements	UL 94 / V1

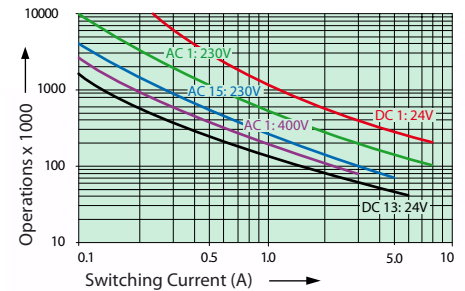
Optionen, Accessories

PCB Socket, DIN Rail Socket	see Page 27
Sealed RT III	on request
Dust-resistant with O-Ring	

Product Key



Contact Lifetime for NO Contact

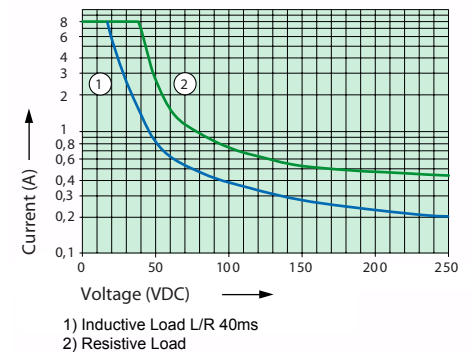


Max. Switching Characteristics (DIN EN 60947-5-1, Tab.C2):

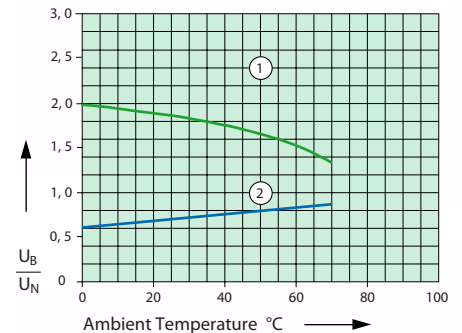
AC 15: 230V / 5A
DC 13: 24V / 6A,
UL508: C300

Maximal Contact Load at AC1 with 230V:
2 Contacts with 8A each

Load Limit Curve Direct Current



Excitation Voltage Range



- 1) Max. excitation Voltage with Contact Load: <6A
- 2) Min. excitation Voltage (guaranteed Values) without previous operation.

No heat accumulation due to intrinsic heating of other components. Continuous Duty 100%.