

# 7000 Series Push Button

16A 250Vac



## Key Features

- Round and rectangular push button switches
- Ratings up to 16A, 250V ac
- Latching and momentary
- Illuminated & non-illuminated
- Matching indicators
- Low profile version
- Panel cut outs: 25.0 dia 27.2 x 22.3

## Approvals and specifications

- CE 16(4)A 250Vac T125  
8(8)A 250Vac T85
  - UL CSA 16A Non Ind, 250Vac 1hp, 125Vac 1/2hp  
UL 65°C, file no. E45221, CSA file no. LR10990
- 3mm contact gap.

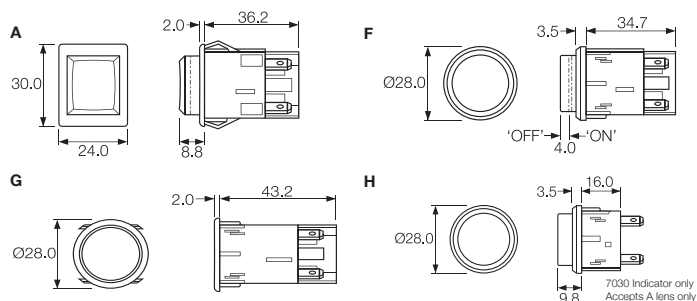
Terminal	Function	Actuator	Body Code
<p><b>C</b></p>	<p>1 2 3 4 Approvals &amp; ratings vary with function Single pole switches use terminals 1 &amp; 2 (&amp; 3)</p> <p><b>7000</b> Single Pole ON - OFF</p> <p><b>7001</b> Single Pole (momentary) ON - OFF</p> <p><b>7003</b> Single Pole (with light) ON - OFF</p> <p><b>7004</b> Single Pole (momentary) with light ON - OFF</p>	<p><b>A</b> Round actuator shown in F body</p> <p><b>A</b> Round actuator shown in G body</p> <p><b>B</b> Round actuator - medium shown in F body</p> <p><b>C</b> Round actuator - long shown in F body</p> <p><b>D</b> Round actuator - sub panel mount</p> <p><b>S</b> Rectangular actuator Shown in "A" body N/A for 7030</p>	<p>Panel cut-outs</p> <p><b>F H G</b></p> <p>Body types fit either cut-out</p> <p><b>A</b></p> <p>Cut-outs must be punched in the direction of insertion</p>
<p><b>H</b></p>	<p><b>7050</b> Double Pole ON - OFF</p> <p><b>7051</b> Double Pole with light ON - OFF</p> <p><b>7053</b> Double pole with light ON - OFF</p> <p><b>7054</b> Double pole (momentary ON) with light ON - OFF</p> <p><b>7030</b> Indicator UL E63363 CSA LR29381</p>		

## Dimensions

Panel thickness:

A - 0.8 - 2.5mm

F, G, H - 0.8 - 5.0mm



## Examples



C7000AF ---



C7003AF ---



C7050SA ---



C7053AG ---

Body Colour	Actuator Colour	Lamp Voltage	Legend	Legend Colour	Options
<b>B</b> Black	<b>A</b> Amber	— None			<p><b>Finish</b> Matt finish is standard on bodies. Gloss finish is standard on actuators.</p> <p><b>Colour</b> Call sales for custom colours. A full range is available for large orders.</p> <p><b>Legend printing</b> A wide range is available or call sales for custom legends.</p> <p><b>Lamp voltage</b> Call sales for details of available voltages.</p> <p><b>Weatherproof housing (E)</b> Additional housing which fits round body switches with an oversize housing with a clear silicone cover designed to IP65. Mounting hole dia: 38.0mm</p>
<b>W</b> White	<b>C</b> Clear	<b>2</b> 125V Neon			
	<b>G</b> Green	<b>3</b> 250V Neon			
	<b>R</b> Red	<b>7</b> 12V Filament			
		<b>8</b> 24V Filament			
	<b>B</b> Black				
	<b>R</b> Red				
	<b>W</b> White				