

# Enclosures



## LDG-A



Tel.: (+34) 902 450 160

Fax: (+34) 902 433 088

[ermec@ermec.com](mailto:ermec@ermec.com)

[www.ermec.com](http://www.ermec.com)

**Online catalog** Updates of this catalog will be made available on the web: <http://Connect.ERNI.com/>

## Table of Content

Styles of LDG-A enclosures	.3
General information about LDG-A enclosures	.3
Technical Data	.4
Temperature load	.4
The base for economical and compact packaging of your electronics	.5
Terminal block design and type overview	.6
EMC compliant enclosure solutions	.7
Pluggable terminals and blind inserts	.8
Flexibility for customized solutions	.9
Enclosure versions with ventilation slots	.10
Enclosure LDG-A 12 with max. 12 terminals	.11
Dimensions of low height version LDG-A 12	.12
Dimensions of standard height version LDG-A 12	.13
Enclosure LDG-A 14 with max. 14 terminals	.14
Dimensions of LDG-A 14	.15
Enclosure LDG-A 16 with max. 16 terminals	.16
Dimensions of LDG-A 16	.17
Enclosure LDG-A 30 with max. 30 terminals	.18
Dimensions of LDG-A 30	.18
Pluggable terminals for enclosure LDG-A 30	.19
Enclosure LDG-A 46 with max. 46 terminals	.20
Dimensions of LDG-A 46	.21
Enclosure LDG-A 70 with max. 70 terminals	.22
Dimensions of LDG-A 70	.23
Aluminium (Al) front cap as cover version	.24
Dimensions of Al front cap	.25
Part number index	.26

## Enclosures

## LDG-A



### Types

LDG-A-12 . . . max. 12 connections  
 LDG-A-14 . . . max. 14 connections  
 LDG-A-16 . . . max. 16 connections  
 LDG-A-30 . . . max. 30 connections  
 LDG-A-46 . . . max. 46 connections  
 LDG-A-70 . . . max. 70 connections

### General

The LDG-A series of enclosures are fully insulated enclosures according to the specifications of the machinery and automotive industries, with terminals protected against accidental contact in accordance with VDE 0100 Part 570, VDE 0160 Part 100 and VBG 4.

Designed for easy installation, these housings facilitate extremely rational equipment assembly with optimal utilization of space.

- Wave-solderable termination of the terminal blocks eliminates the need for hard (discrete) wiring and is cost-effective for higher volumes
- Pluggable termination via frame inserts for commercially available connectors
- Snap-together design speeds up assembly and eliminates the need for mechanical fasteners (no screws or bolts)
- Custom-loaded terminal blocks via blind plugs to meet nearly any virtually application's configuration and to reduce costs
- Custom cut-outs for e. g. switches and special signaling devices in covers and in blind inserts for special connector solutions
- Aluminium front cap for all versions available
- Base part versions with ventilation slots for effective heat dissipation; all versions except LDG-A 14
- EMC compliant enclosure solutions achieved by inner shielding of base part and Al front cap
- Simple and safe operation achieved by recessed cap tive, self-locking, vibration resistant terminal screws, which prevent accidental contact.
- Complete assembly of the electronic module before being installed into the enclosure
- Compact, attractive design by means of structured surface and of space saving envelope, which makes it ideal for both DIN rail mounting or on any flat surface via screw or bolt with the integrated mounting feed
- Easy assembly and disassembly for servicing

## Technical data

Type	LDG-A-12	LDG-A-14	LDG-A-16	LDG-A-30	LDG-A-46	LDG-A-70
Degree of protection	IP20					
Base part	PC (30% GV), RAL 7032, UL 94 V-1					
Terminal block housing, cover and blind plug	PC UL 94 V-2					
Air distance / comparative figure of voltage	≥3mm / CTI 275			≥4mm / CTI 275		
Creepage / comparative figure of voltage	≥3,2mm / CTI 275			≥5mm / CTI 275		
Voltage rating	DIN VDE 0110			Has to be determined according to client-specific using case (degree of environmental pollution) according to VDE 0110		
Terminal material	steel, tin plated					
Terminal wire size	max. 2,5mm <sup>2</sup>			max. 4mm <sup>2</sup>		
Terminal current rating	max. 16A			max. 20		
Terminal pin material	Cu Sn6			Ms		
Terminal pin plating	2µm Ni 5µm Sn			2µm Ni 5µm Sn		
Temperature range	-40° C ... +110° C					
Outside dimensions L x B x H	75 x 22.5 x 98.5 mm 75 x 22.5 x 110 mm	75 x 45 x 110 mm	75 x 55 x 110 mm	75 x 99.7 x 110 mm	75 x 150 x 110 mm	75 x 225 x 110 mm
Aprovales UL	File E 84703					
CSA	File LR 67018					

## Temperature load

Enclosure Typ LDG-A-	Inside temperature 95°								
	Ambient temperature								
	23°C			50°C			70°C		
	A	A	C	A	B	C	A	B	C
12	8	6	3	5	4	2	2,5	2	1
14	12	10	7	7	6	4	4	3	2
16	13	11	9	8	7	5	4	3,5	3
30	19	18	16	12	11	10	7	6	5
46	26	23	20	16	14	12	9	8	7
70	36	33	30	23	21	19	12	10	11
Dissipation in W									

A = Both side faces not obstructed, free airflow

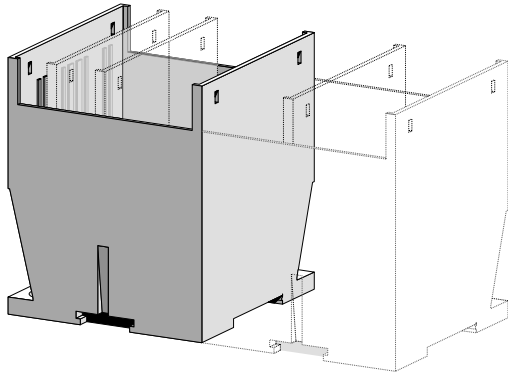
B = One side face blocked by obstruction, 0 mm away

C = Both side face blocked by obstruction, 0 mm away

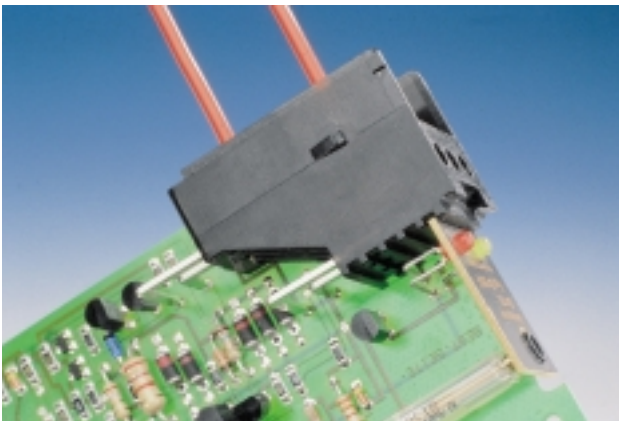


## Enclosure LDG-A

The base for all applications



Fully-insulated enclosures in accordance with machinery and automotive industry standards, with shockproof terminals acc. to VDE 0100 and VBG 4.  
 Base part optionally with or without ventilation slots.  
 Enclosure surface with erosion-structure in attractive design.  
 Easy assembly and disassembly for servicing.



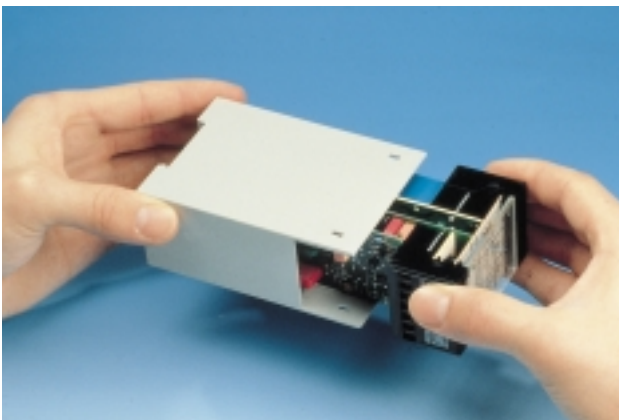
### Easy connecting technique

From the connection cable via the terminal block to the PC board, the connection could not be more simple.



### Generously dimensioned stacking compartment

Printed circuit boards can be stacked one above the other such that complex assemblies can be implemented in compact dimensions.



### Fast component-mounting and manufacturing times

The PC board, with the mounted components and terminal blocks will be wave-soldered, in one work process and then completely assembled into the base part in one step.



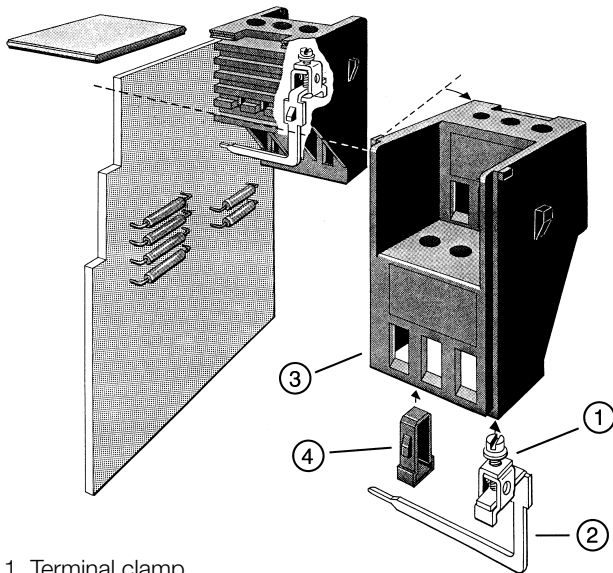
### Just snap them on

LDG-A enclosures have a snap-on clip for easy snap-on assembly for standard DIN rails acc. to DIN 46277 and DIN EN 50022.



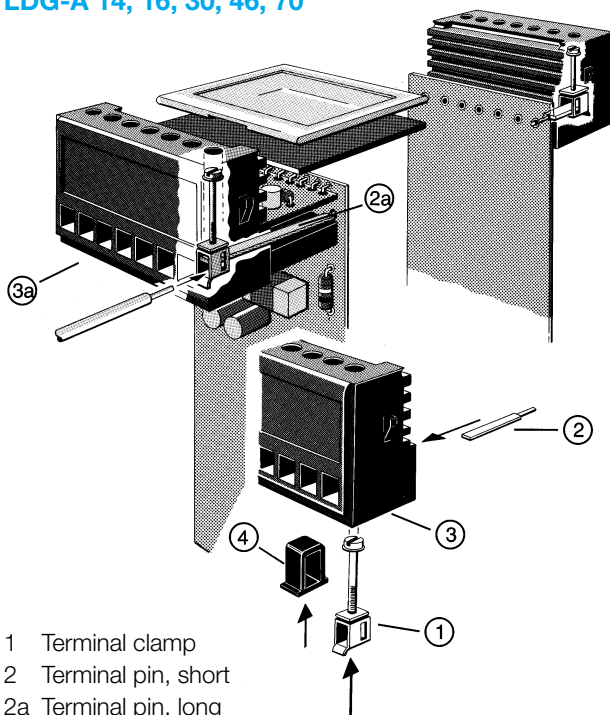
# Enclosure LDG-A

## Terminal block design and type overview



- 1 Terminal clamp
- 2 Terminal pin
- 3 Terminal block housing
- 4 Blind plug

### LDG-A 14, 16, 30, 46, 70



- 1 Terminal clamp
- 2 Terminal pin, short
- 2a Terminal pin, long
- 3 Terminal block housing, narrow
- 3a Terminal block housing, wide
- 4 Blind plug



#### LDG-A 12

Length: 75 mm  
Width: 22.5 mm  
Height: 98,5 mm  
or 110 mm



#### LDG-A 14

Length: 75 mm  
Width: 45 mm  
Height: 110 mm



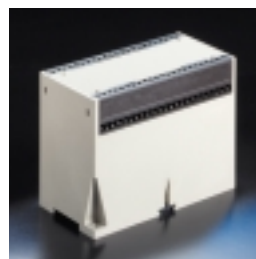
#### LDG-A 16

Length: 75 mm  
Width: 55 mm  
Height: 110 mm



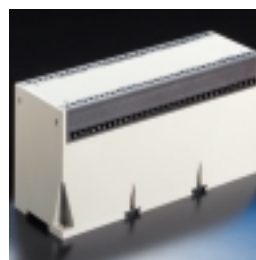
#### LDG-A 30

Length: 75 mm  
Width: 99.7 mm  
Height: 110 mm



#### LDG-A 46

Length: 75 mm  
Width: 150 mm  
Height: 110 mm



#### LDG-A 70

Length: 75 mm  
Width: 225 mm  
Height: 110 mm

## EMC compliant enclosure solutions

Fully shielded enclosure achieved by metallized base part and Al front cap



The metallized inner side of the base part secures high EMI/RFI protection and ESD protection.

### Ordering information

Description	Color	Part no.
<b>Base part metallized</b>		
LDG-A-12	light grey	043852
LDG-A-14	light grey	043870
LDG-A-16	light grey	043806
LDG-A-30	light grey	043831
LDG-A-46	light grey	043800
LDG-A-70	light grey	043881



EMC compliant version of the LDG-A achieved in combination with the Al front cap.

### Ordering information

Description	Part no.
<b>Al front cover</b>	
LDG-A-12	053126
LDG-A-14	053145
LDG-A-16	053146
LDG-A-30	044868
LDG-A-46	404142
LDG-A-70	053148

Minimum order quantity: 1000 pcs; because of the setup effort.

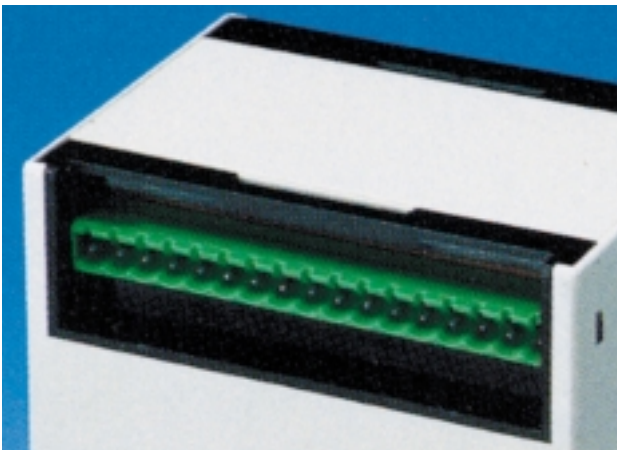
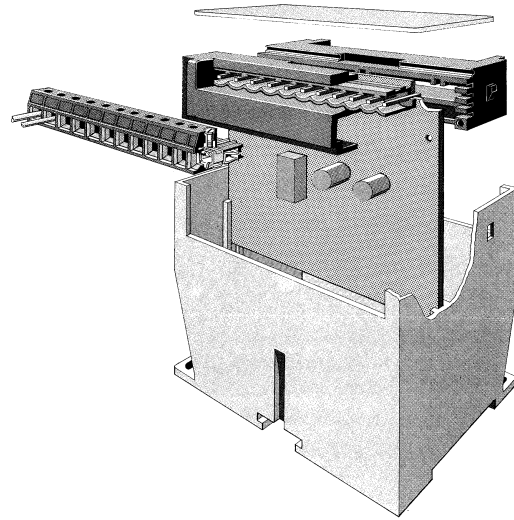
# Pluggable terminals and blind inserts for LDG-A

## Easy service and device exchange

**Frame inserts** with cut-out for commercially available pluggable terminal connectors

**Features:**

- Used as assembly and guide element for the PC board with guides for transverse board and longitudinal board offset by 90°.
- Compact design for secure snap-on and safe fixing on the base part.
- Screw-on option for the cover.



Frame insert with top cutout for separate pin header. For maximum component space on the longitudinal board.



Connection of commercially available screw-plug connectors.

### Ordering information

Description	Color	Part no.
<b>LDG-A-16</b> Frame insert with top cutout	black	053869
Frame insert with bottom cutout	black	053870
Blind insert	black	053871
<b>LDG-A-30</b> Frame insert with top cutout	black	034769
Frame insert with bottom cutout	black	053164
Blind insert	black	053074
<b>LDG-A-46</b> Frame insert with bottom insert	black	054248
Blind plug	black	054249
<b>LDG-A-70</b> Blind insert	black	054730

**Frame insert with top cutout** for separate pin header. You will have the maximum component space on the PC board.

**Frame insert with bottom cutout** allows the assembly of a transverse board.

The **blind insert** provides for the full covering of the base part. Individual customized cutouts achieved by mechanical machining or special tool inserts are easy to be realized.

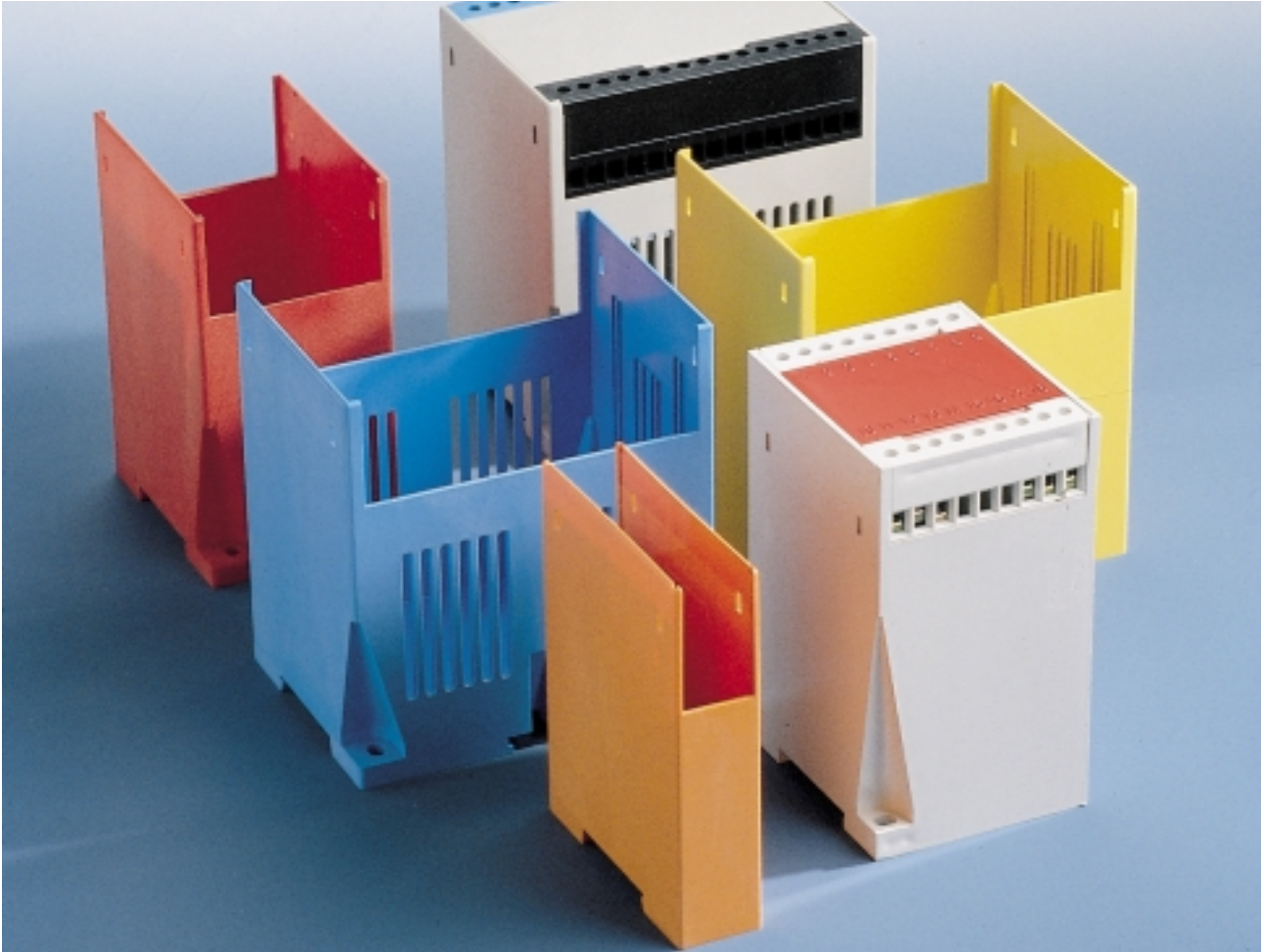
**Technical data**

Material of plastic parts: PC  
UL 94 V-0  
Color: black  
special colors upon request  
Temperature range: -40°C up to +110°C



## Flexibility for customized solutions

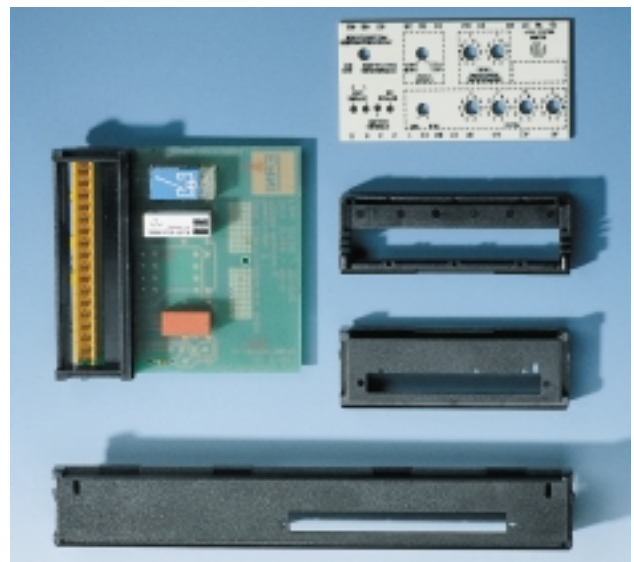
Various colors, e. g. company color for base part, cover or terminal block possible



Cover in grey, black or transparent for display functions



Customized cutouts and holes in covers and blind inserts



## Enclosure versions with ventilation slots

Effective heat dissipation for electronic subassemblies with increased heating



### Base part with ventilation slots

- available for enclosure versions LDG-A-12, LDG-A-16, LDG-A-30, LDG-A-46, LDG-A-70
- slot dimension: 42 x 3 mm
- additional data upon request

### Ordering information

Description	Color	Part no.
<b>Base part with ventilation slots</b>		
LDG-A-12	light grey	114932
LDG-A-16	light grey	024870
LDG-A-30	light grey	434098
LDG-A-46	light grey	024080
LDG-A-70	light grey	424328

## Enclosure LDG-A 12

with max. 12 terminals



The LDG-A-12 enclosure is capable of accommodating one lengthwise board and one crosswise circuit board. For the termination of the discrete wires 2 terminal blocks with max. 6 terminals each will be used. The outline of the terminal block is according to the base part.

The two asymmetrical terminal block housings that can be screwed to the circuit board are each capable of accommodating up to six terminal pins and terminal clamps. Custom-loading of the terminal blocks is optionally possible. Not used terminal cavities will not be loaded and will be closed shockproof with blind plugs.

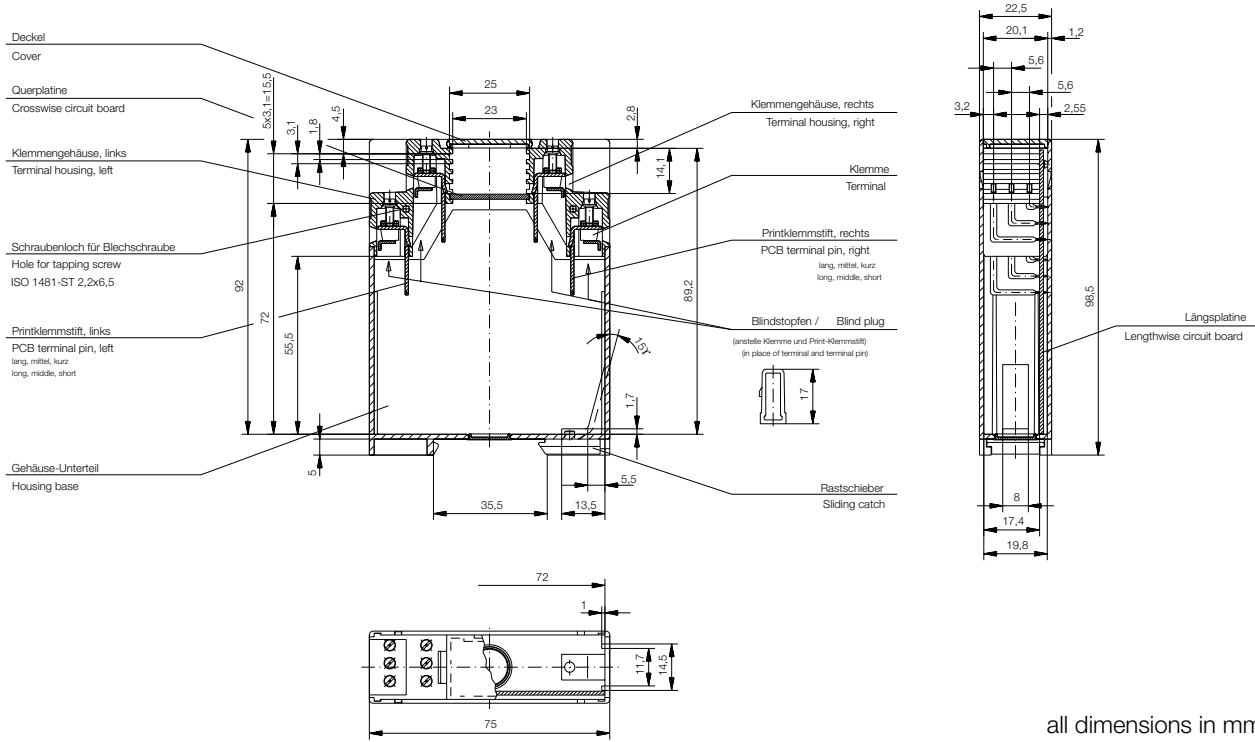
The LDG-A 12 is provided with a snap-on clip for easy assembly on DIN rails acc. to DIN 46 277 and EN 50 022. Base part available with ventilation slots for effective heat dissipation. Base part available with metallized inner side for EMC compliant enclosure solutions.

### Ordering information

Description	Type	Color	Part no.
Base part 110 mm	w/o ventilation slot	light grey	024082
Base part 110 mm	with ventilation slot	light grey	114932
Base part 98,5 mm	w/o ventilation slot	light grey	414470
Cover		transparent	414462
Cover		light grey	414463
Terminal block housing	right	black	414453
Terminal block housing	left	black	414455
Terminal pin	right, long		414459
Terminal pin	right, medium		414460
Terminal pin	right, short		414461
Terminal pin	left, long		414456
Terminal pin	left, medium		414457
Terminal pin	left, short		414458
Clamp, not assembled			414469
Terminal block, fully loaded	right	black	043853
Terminal block, fully loaded	left	black	043860
Blind plug		black	414466
Al front cover			053126

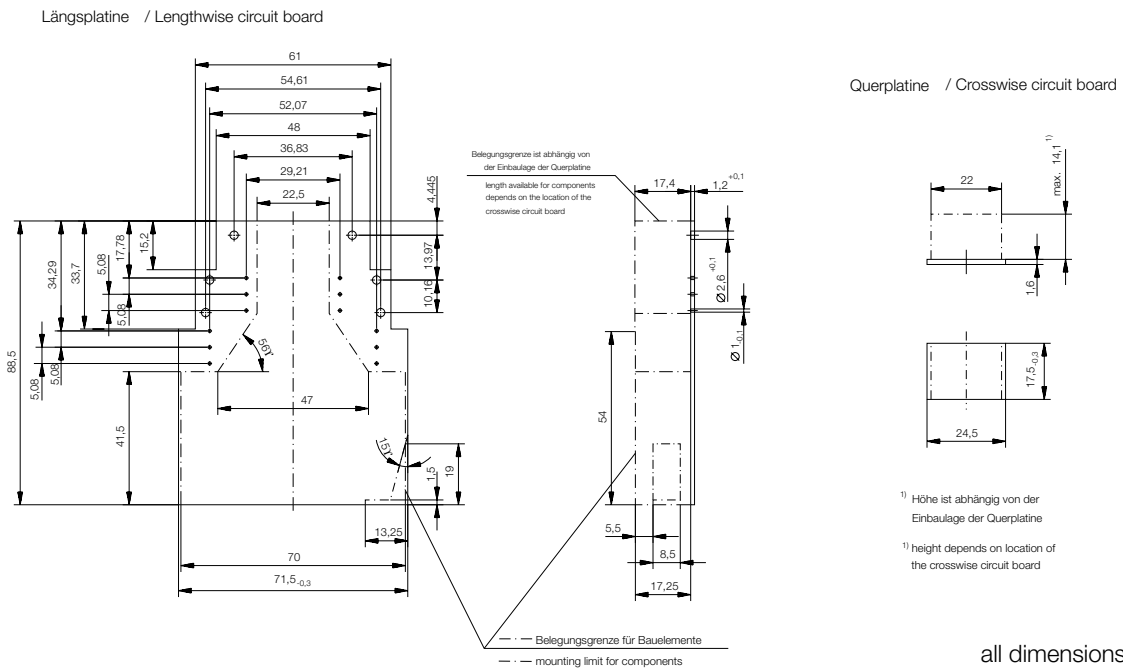
# Enclosure LDG-A 12

## Dimensions: low height version



all dimensions in mm

## Recommended PCB dimensions



all dimensions in mm

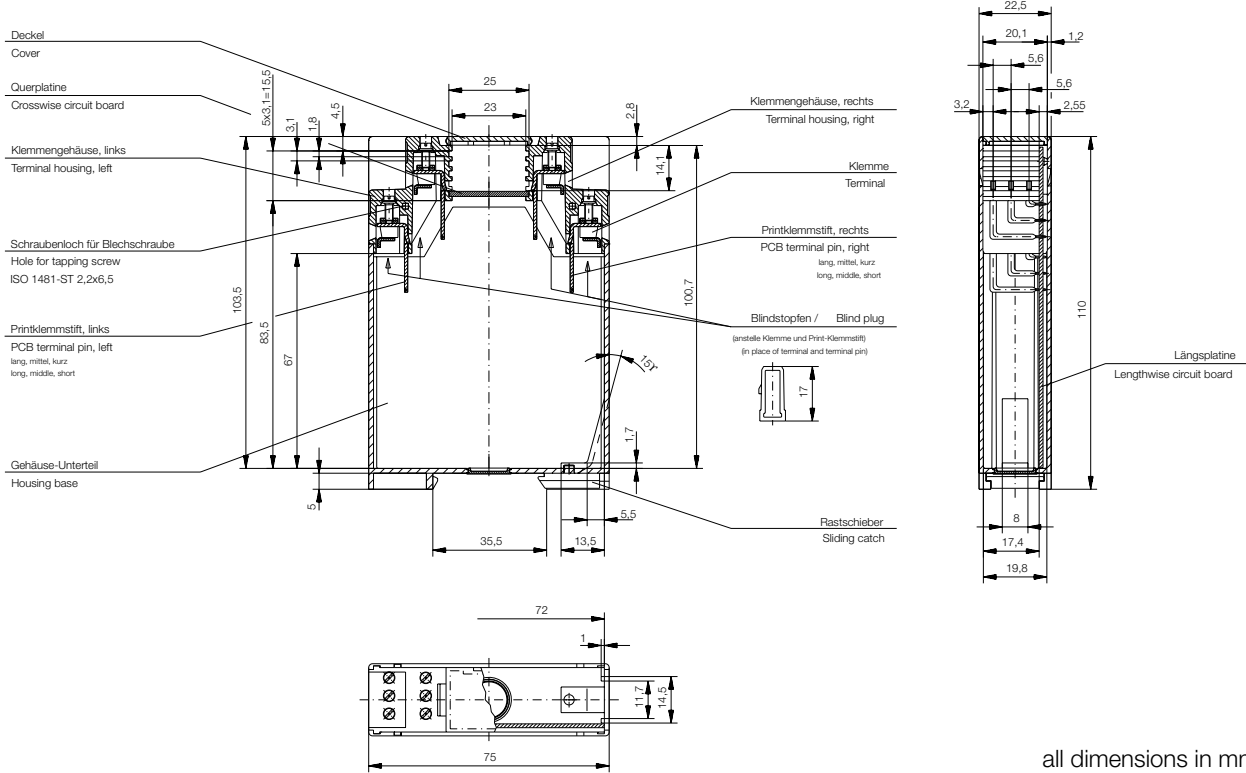
<sup>1)</sup> Höhe ist abhängig von der Einbaulage der Querplatine  
<sup>1)</sup> height depends on location of the crosswise circuit board





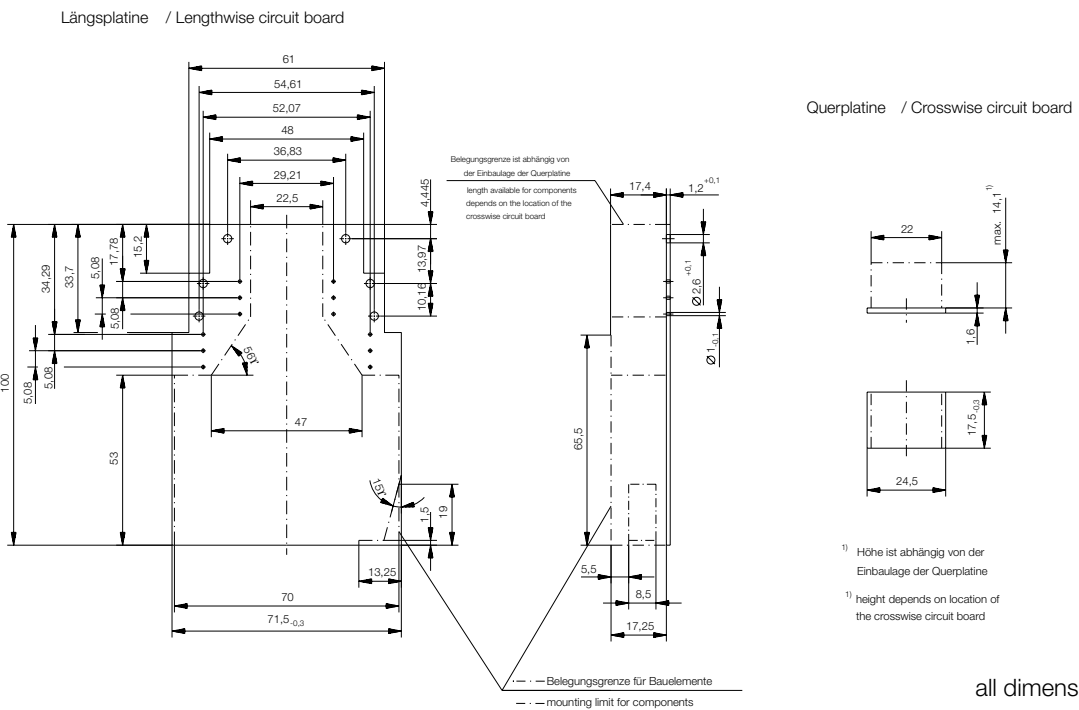
# Enclosure LDG-A 12

## Dimensions: standard height version



all dimensions in mm

## Recommended PCB dimensions



all dimensions in mm

## Enclosure LDG-A 14

with max. 14 terminals



The LDG-A-14 enclosure is capable of accommodating one lengthwise board and one crosswise circuit board. For the termination of the discrete wires 2 terminal blocks with max. 7 terminals each will be used. The outline of the terminal block is according to the base part.

The two asymmetrical terminal block housings that can be screwed to the circuit board are each capable of accommodating up to six terminal pins and terminal clamps. Custom-loading of the terminal blocks is optionally possible. Not used terminal cavities will not be loaded and will be closed shockproof with blind plugs. Fixation via 2 holes acc. to DIN 46 121 and DIN 43 660 or quick snap-on assembly on DIN rails acc. to DIN 46 277 and EN 50 022.

Base part available with metallized inner side for EMC compliant enclosure solutions.

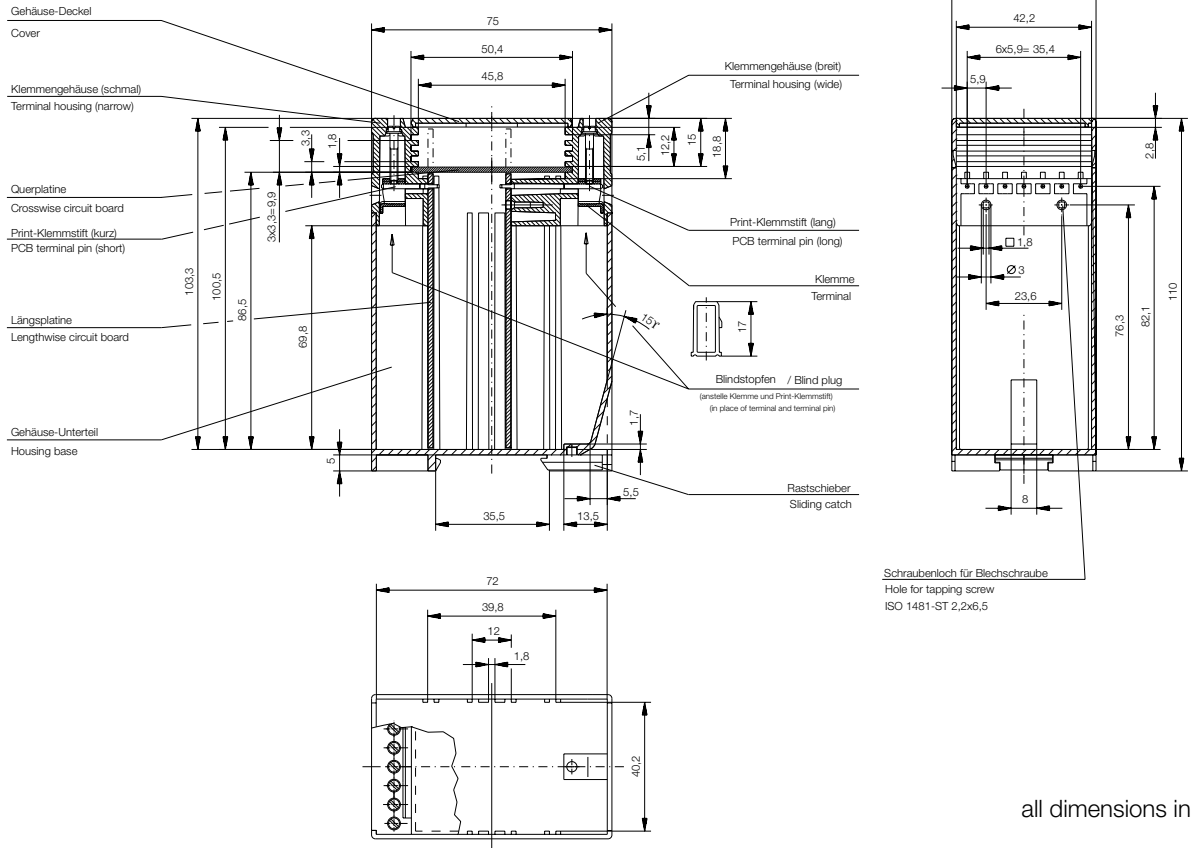
### Ordering information

Description	Type	Color	Part no.
Base part	w/o ventilation slots	light grey	423280
Cover		light grey	423273
Cover		transparent	423272
Cover		black	423274
Terminal block housing	narrow	black	423275
Terminal block housing	wide	black	423277
Terminal pin	short		034653
Terminal pin	long		034655
Clamp, not assembled			103008
Terminal block, fully loaded	narrow	black	043873
Terminal block, fully loaded	wide	black	043875
Blind plug		black	103006
Adapter plate for screw-mounting			424140
Al front cap			053145



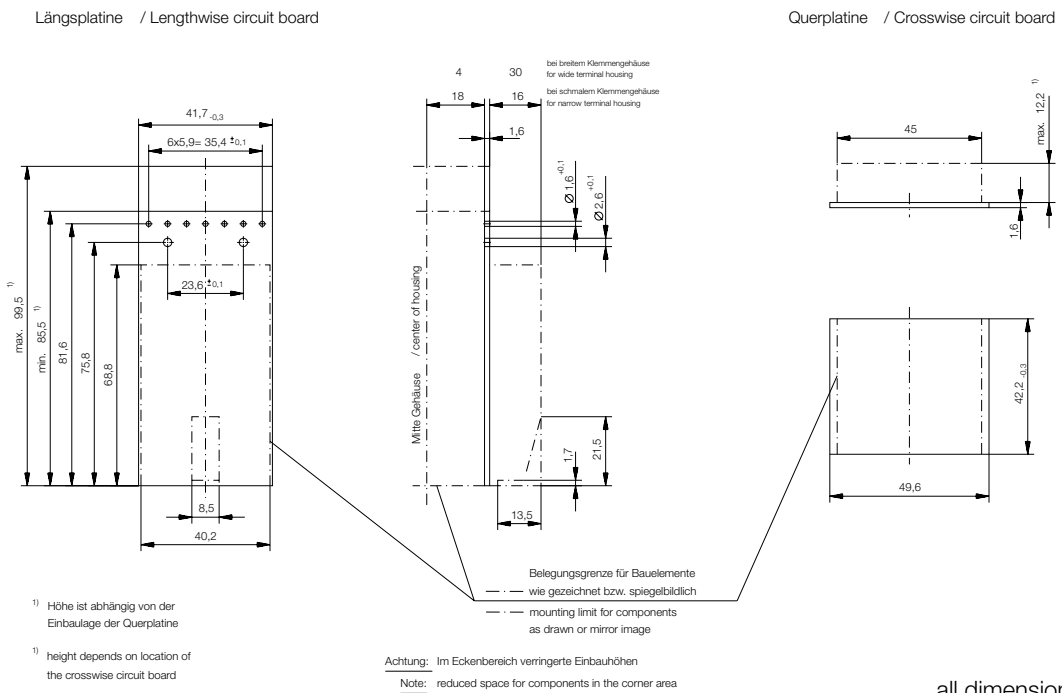
# Enclosure LDG-A 14

## Dimensions



all dimensions in mm

## Recommended PCB dimensions



all dimensions in mm

## Enclosure LDG-A 16

with max. 16 terminals



The LDG-A-16 enclosure is capable of accommodating one lengthwise board and one crosswise circuit board. For the termination of the discrete wires 2 terminal blocks with max. 8 terminals each will be used. The outline of the terminal block is according to the base part.

The two asymmetrical terminal block housings that can be screwed to the circuit board are each capable of accommodating up to six terminal pins and terminal clamps. Custom-loading of the terminal blocks is optionally possible. Not used terminal cavities will not be loaded and will be closed shockproof with blind plugs.

Fixation via 2 holes acc. to DIN 46 121 and DIN 43 660 or quick snap-on assembly on DIN rails acc. to DIN 46 277 and EN 50 022.

Frame inserts for commercially available pluggable terminals. Base part available with ventilation slots for effective heat dissipation. Base part available with metallized inner side for EMC compliant enclosure solutions.

### Ordering information

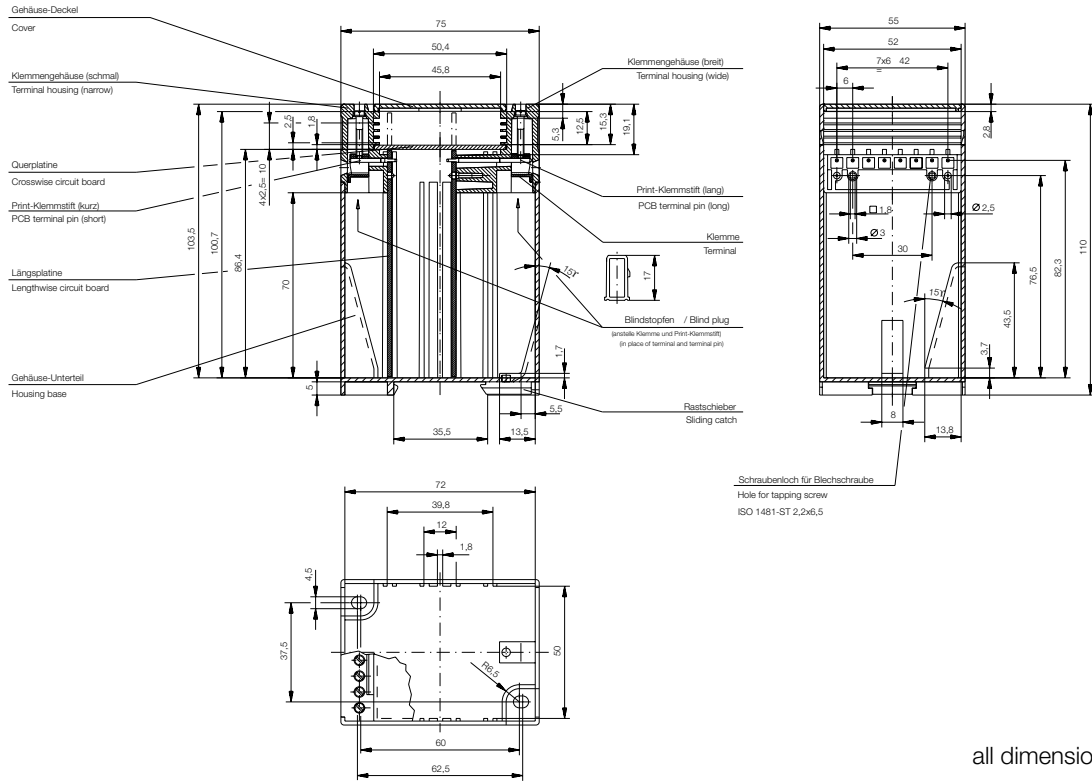
Description	Type	Color	Part no.
Base part	w/o ventilation slots	light grey	414124
Base part	with ventilation slots	light grey	024870
Cover		light grey	014415
Cover		transparent	014416
Cover		black	014417
Terminal block housing	narrow	black	103031
Terminal block housing	narrow	blue	103033
Terminal block housing	wide	black	103032
Terminal block housing	wide	blue	103034
Terminal pin	short		034653
Terminal pin	long		034655
Clamp, not assembled			103008
Terminal block, fully loaded	narrow	black	043811
Terminal block, fully loaded	wide	black	043824
Blind plug		black	103006
Frame insert for pluggable connectors	Top cutout	black	053869
Frame insert for pluggable connectors	Bottom cutout	black	053870
Blind plug		black	053871
Al front cover			053146





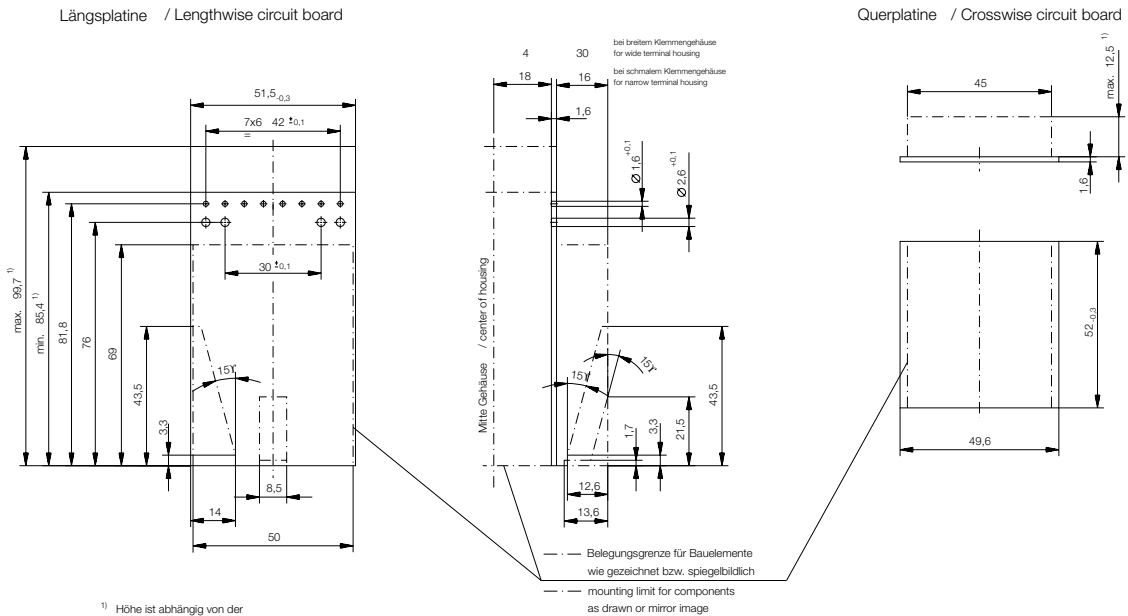
# Enclosure LDG-A 16

## Dimensions



all dimensions in mm

## Recommended PCB dimensions



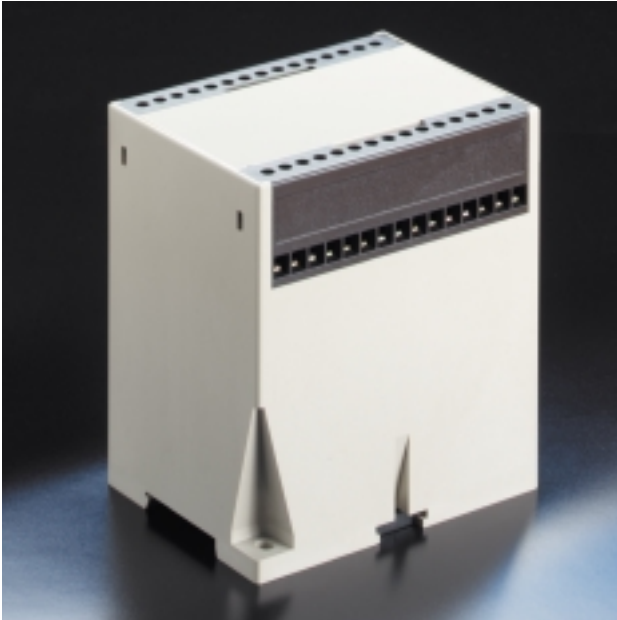
<sup>1)</sup> Höhe ist abhängig von der Einbaulage der Querplatine  
<sup>1)</sup> height depends on location of the crosswise circuit board

Achtung: Im Eckenbereich verringerte Einbauhöhen  
 Note: reduced space for components in the corner area

all dimensions in mm

## Enclosure LDG-A 30

with max. 30 terminals



The LDG-A-30 enclosure is capable of accommodating one lengthwise board and one crosswise circuit board. For the termination of the discrete wires 2 terminal blocks with max. 15 terminals each will be used. The outline of the terminal block is according to the base part.

The two asymmetrical terminal block housings that can be screwed to the circuit board are each capable of accommodating up to six terminal pins and terminal clamps. Custom-loading of the terminal blocks is optionally possible. Not used terminal cavities will not be loaded and will be closed shockproof with blind plugs. Fixation via 2 holes acc. to DIN 46 121 and DIN 43 660 or quick snap-on assembly on DIN rails acc. to DIN 46 277 and EN 50 022.

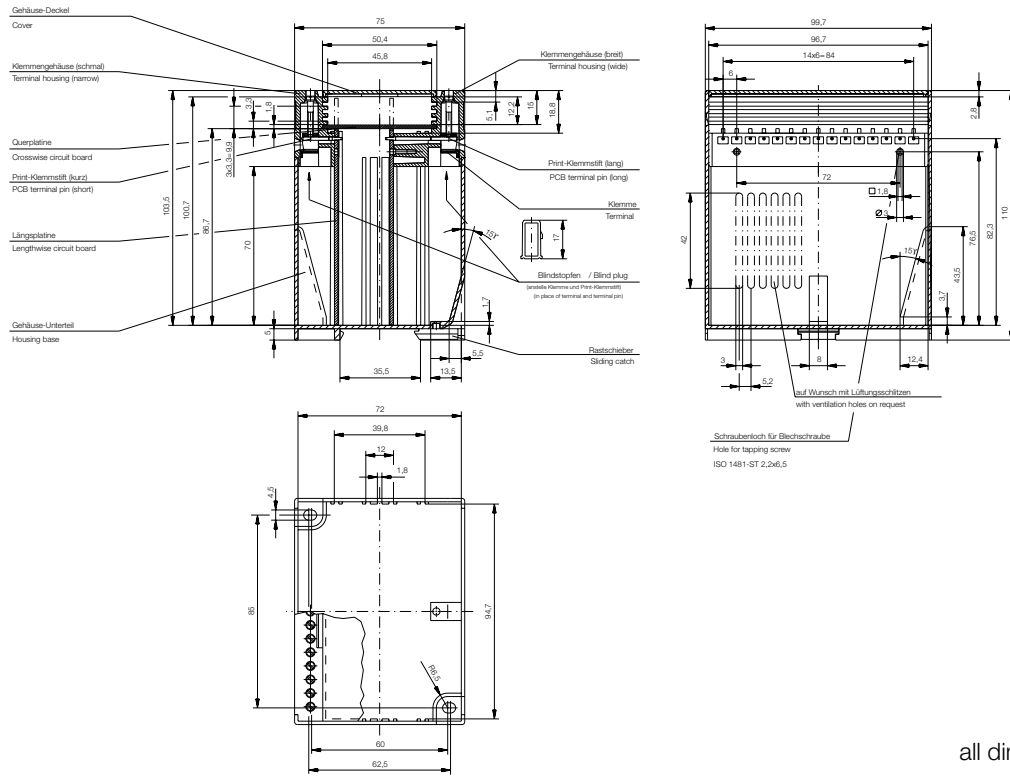
Frame inserts for commercially available pluggable terminals. Base part available with ventilation slots for effective heat dissipation. Base part available with metallized inner side for EMC compliant enclosure solutions.

### Ordering information

Description	Type	Color	Part no.
Base part	w/o ventilation slots	light grey	414165
Base part	with ventilation slots	light grey	434098
Cover		light grey	413962
Cover		transparent	413963
Cover		black	413964
Terminal block housing	narrow	black	413966
Terminal block housing	narrow	blue	413965
Terminal block housing	wide	black	413968
Terminal block housing	wide	blue	413967
Terminal pin	short		034653
Terminal pin	long		034655
Clamp, not assembled			103008
Terminal block, fully loaded	narrow	black	043834
Terminal block, fully loaded	wide	black	043843
Blind plug		black	103006
Frame insert for pluggable connectors	Top cutout	black	034769
Frame insert for pluggable connectors	Bottom cutout	black	053164
Blind plug		black	053074
Al front cover			044868

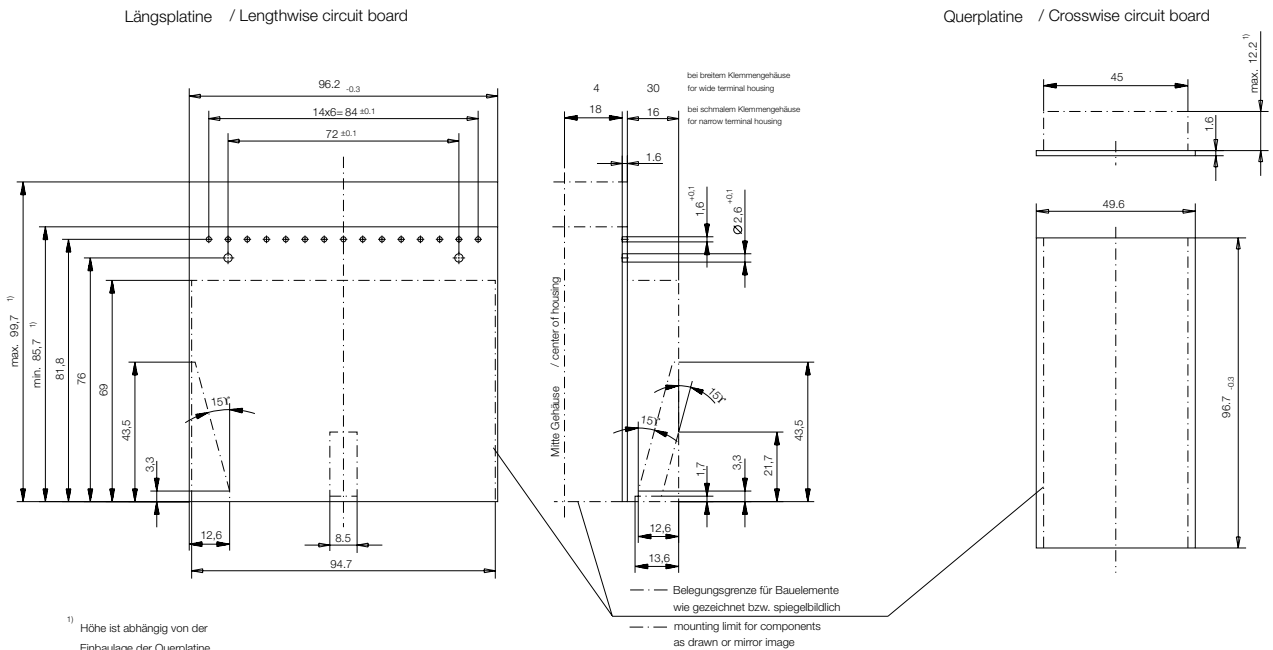
# Enclosure LDG-A 30

## Dimensions



all dimensions in mm

## Recommended PCB dimensions



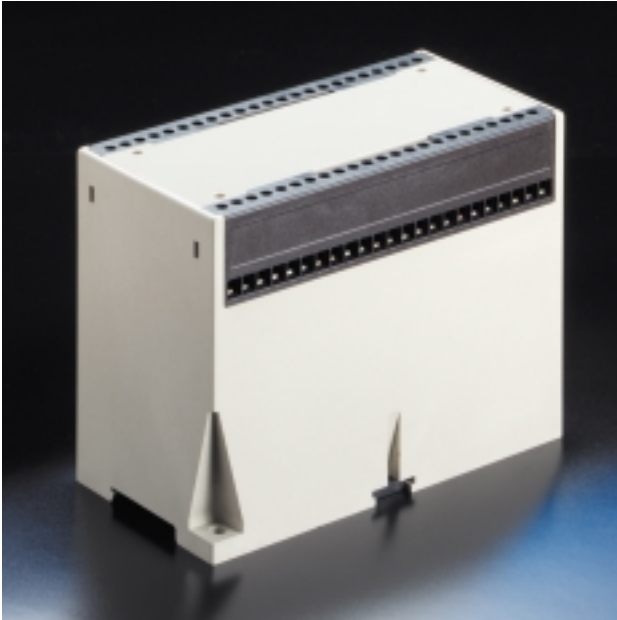
<sup>1)</sup> Höhe ist abhängig von der Einbaulage der Querplatine  
<sup>1)</sup> height depends on location of the crosswise circuit board

**Achtung:** Im Eckenbereich verringerte Einbauhöhen  
**Note:** reduced space for components in the corner area

all dimensions in mm

## Enclosure LDG-A 46

with max. 46 terminals



The LDG-A-46 enclosure is capable of accommodating one lengthwise board and one crosswise circuit board. For the termination of the discrete wires 2 terminal blocks with max. 23 terminals each will be used. The outline of the terminal block is according to the base part.

The two asymmetrical terminal block housings that can be screwed to the circuit board are each capable of accommodating up to six terminal pins and terminal clamps. Custom-loading of the terminal blocks is optionally possible. Not used terminal cavities will not be loaded and will be closed shockproof with blind plugs. Fixation via 2 holes acc. to DIN 46 121 and DIN 43 660 or quick snap-on assembly on DIN rails acc. to DIN 46 277 and EN 50 022.

Frame inserts for commercially available pluggable terminals. Base part available with ventilation slots for effective heat dissipation. Base part available with metallized inner side for EMC compliant enclosure solutions.

### Ordering information

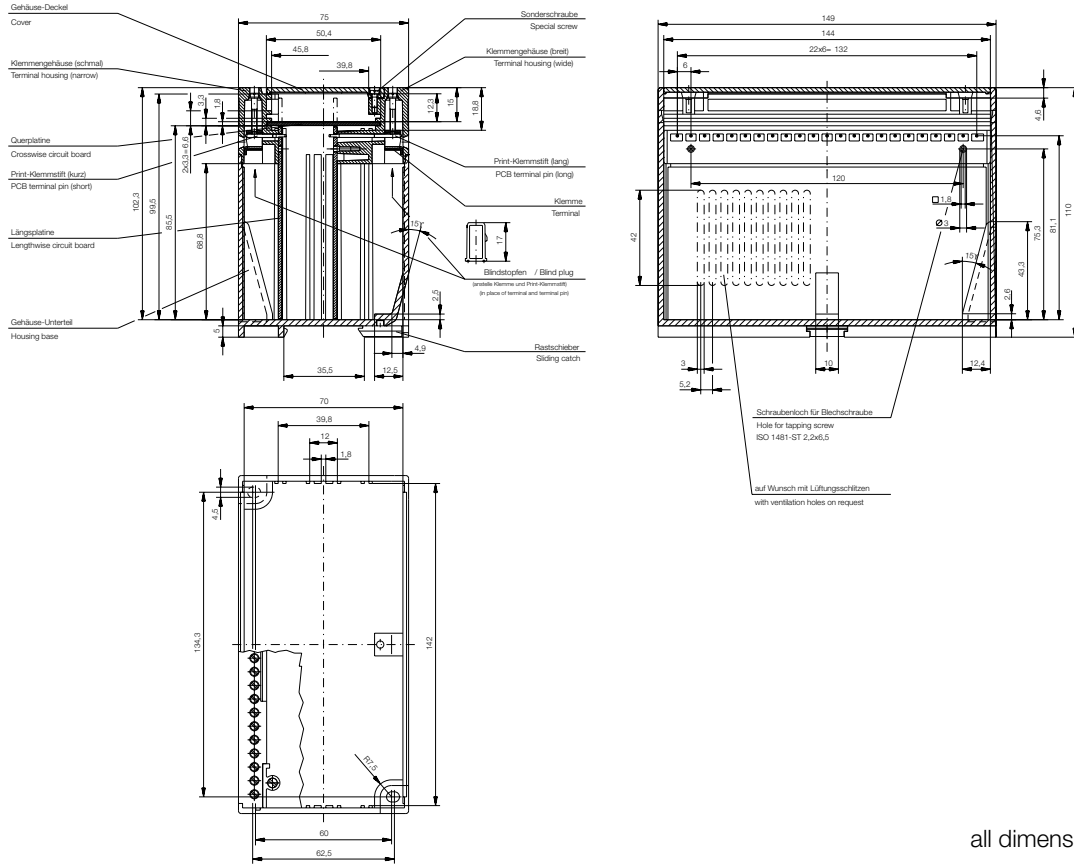
Description	Type	Color	Part no.
Base part	w/o ventilation slots	light grey	024078
Base part	with ventilation slots	light grey	024080
Cover		light grey	014818
Cover		transparent	014819
Cover		black	014820
Terminal block housing	narrow	black	014649
Terminal block housing	wide	black	014790
Terminal pin	short	black	034653
Terminal pin	long	black	034655
Clamp, not assembled			103008
Terminal block, fully loaded	narrow	black	043801
Terminal block, fully loaded	wide	black	043802
Blind plug		black	103006
Frame insert for pluggable connectors	Bottom cutout	black	054248
Blind plug		black	054249
AI front cover			404 142





# Enclosure LDG-A 46

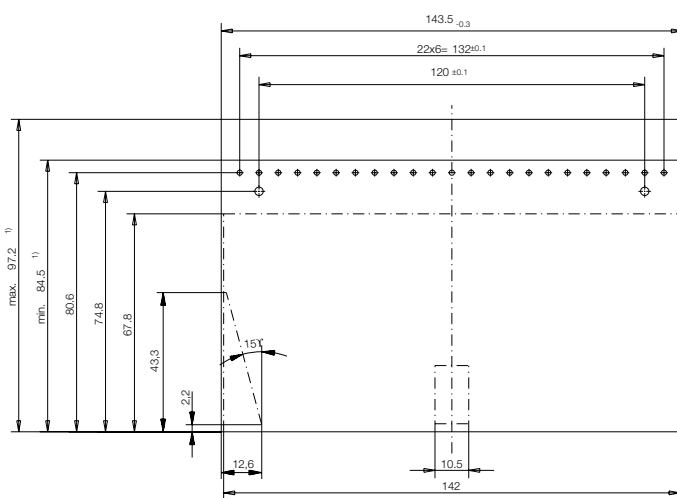
## Dimensions



all dimensions in mm

## Recommended PCB dimensions

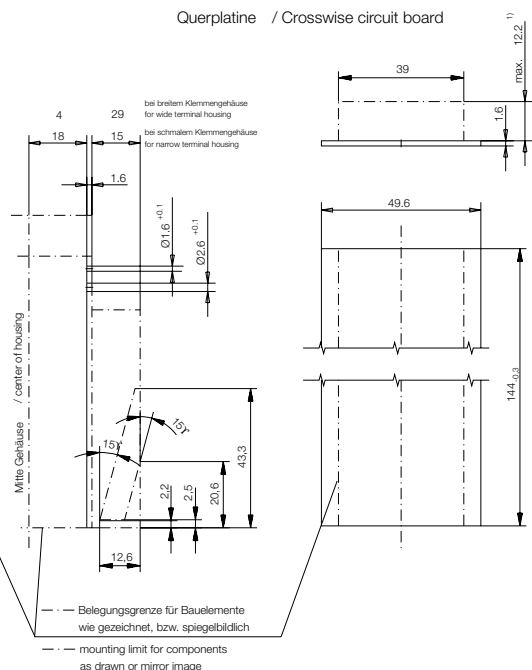
Längsplatte / Lengthwise circuit board



<sup>1)</sup> Höhe ist abhängig von der Einbaulage der Quersplatte  
<sup>1)</sup> height depends on location of the crosswise circuit board

**Achtung:** Im Eckenbereich verringerte Einbauhöhen  
**Note:** reduced space for components in the corner area

Querplatte / Crosswise circuit board

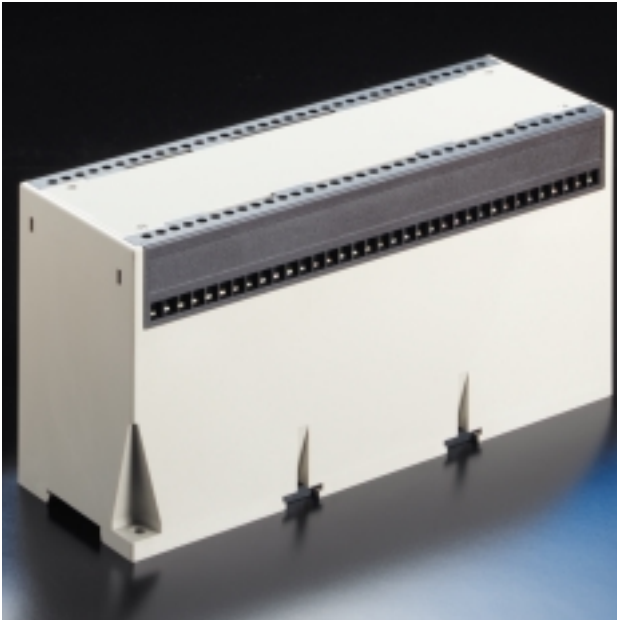


--- Belegungsgrenze für Bauelemente wie gezeichnet, bzw. spiegelbildlich  
 --- mounting limit for components as drawn or mirror image

all dimensions in mm

# Enclosure LDG-A 70

with max. 70 terminals



The LDG-A-70 enclosure is capable of accomodating one lengthwise board and one crosswise circuit board. For the termination of the discrete wires 2 terminal blocks with max. 35 terminals each will be used. The outline of the terminal block is according to the base part.

The two asymmetrical terminal block housings that can be screwed to the circuit board are each capable of accomodating up to six terminal pins and terminal clamps. Custom-loading of the terminal blocks is optionally possible. Not used terminal cavities will not be loaded and will be closed shockproof with blind plugs.

Fixation via 2 holes acc. to DIN 46 121 and DIN 43 660 or quick snap-on assembly on DIN rails acc. to DIN 46 277 and EN 50 022.

Frame inserts for commercially available pluggable terminals. Base part available with ventilation slots for effective heat dissipation. Base part available with metallized inner side for EMC compliant enclosure solutions.

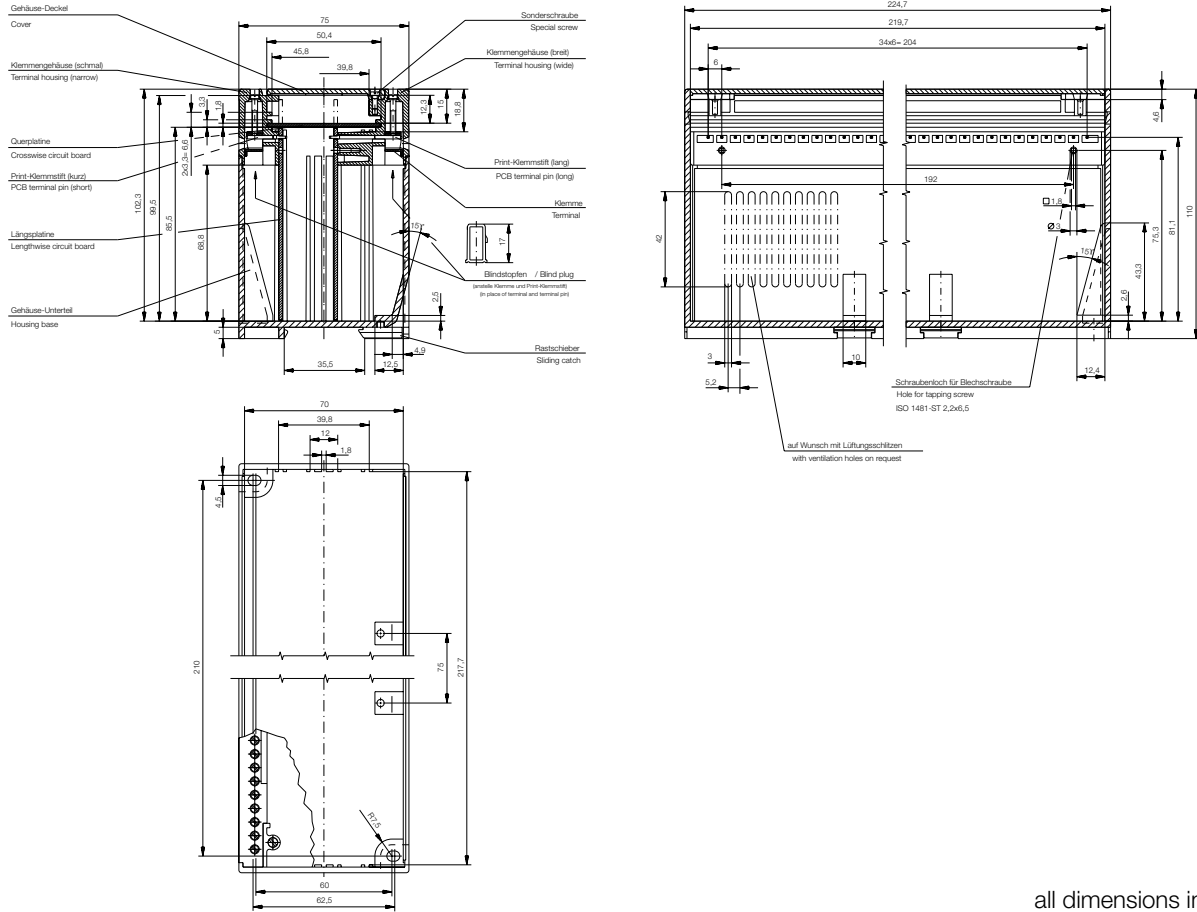
## Ordering information

Description	Type	Color	Part no.
Base part	w/o ventilation slots	light grey	424327
Base part	with ventilation slots	light grey	424328
Cover		light grey	424243
Cover		transparent	424244
Cover		black	424245
Terminal block housing	narrow	black	424240
Terminal block housing	narrow	blue	424239
Terminal block housing	wide	black	424242
Terminal block housing	wide	blue	424241
Terminal pin	short		034653
Terminal pin	long		034655
Clamp, not assembled			103008
Terminal block, fully loaded	narrow	black	043882
Terminal block, fully loaded	wide	black	043894
Blind plug		black	103006
Blind plug		black	054730
AI front cover		black	053148



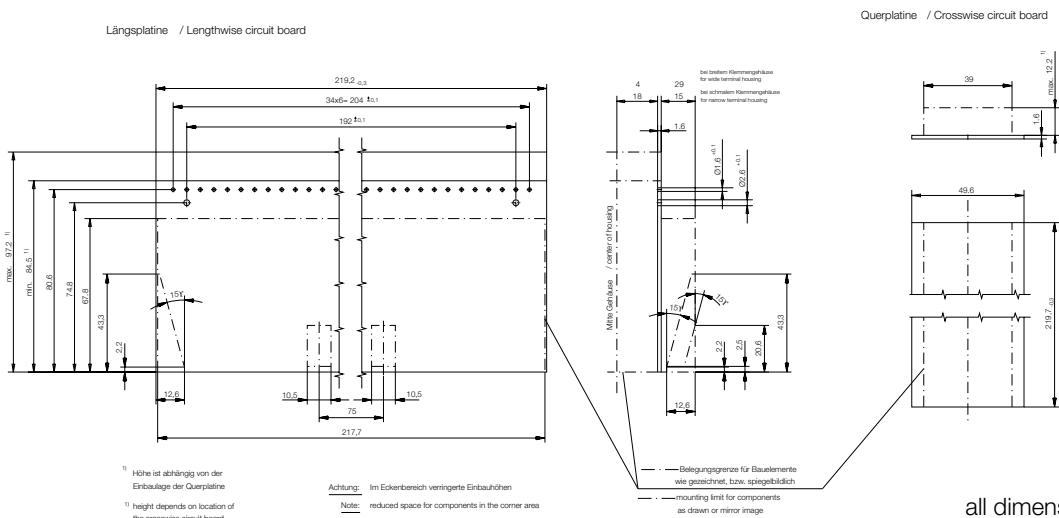
# Enclosure LDG-A 70

## Dimensions



all dimensions in mm

## Recommended PCB dimensions



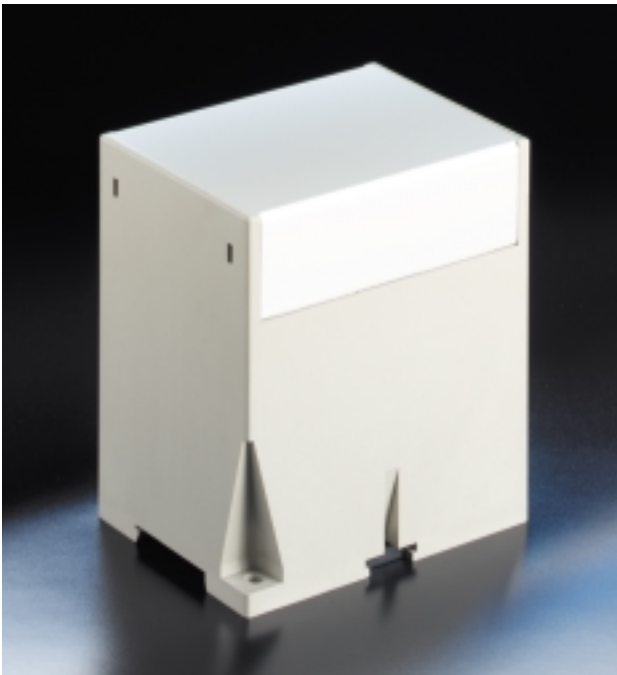
all dimensions in mm

## Cover version as Aluminium (Al) cap

Customized front mating connector solutions and EMC compliant applications

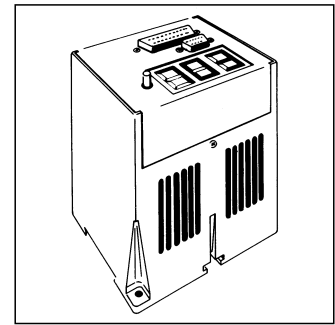
### Al cap:

- Cover for base part, available for all LDG-A types
- 2 threaded holes M 2,5 for fixing on the base, and 4 holes for PCB fixing upon request
- Assembly and guiding element for PCB and I/O connector
- Various wiring options
- Customized cutouts via machining or tool inserts, easy to be realized
- Material: Aluminium AlMg 1 F18, wall thickness 1,5 mm
- Color: eloxadized nature E6/EV1 (special colors upon request)

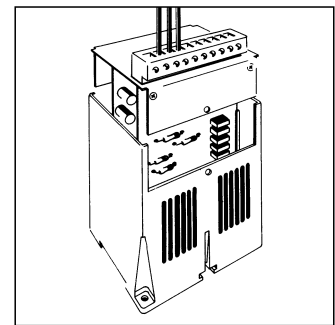


### Application examples with Al cap

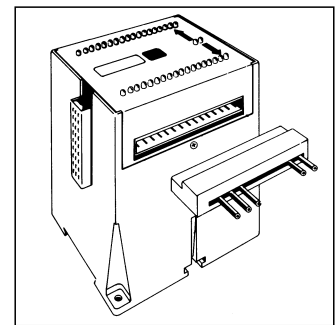
Al cover for base part. Assembly and guiding elements for PCB and I/O connectors



PCB's will be fixed on the cover



Customized cutouts via machining or tool inserts easy to be realized



### Ordering information

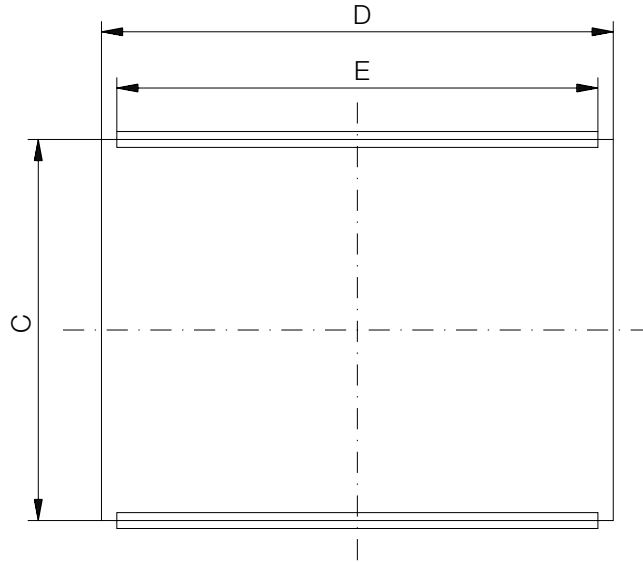
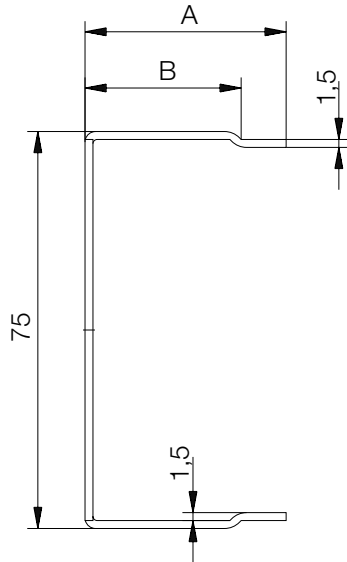
Description	Part no.
<b>Al front cover</b>	
LDG-A-12	053126
LDG-A-14	053145
LDG-A-16	053146
LDG-A-30	044868
LDG-A-46	404142
LDG-A-70	053148

The Al caps will be delivered w/o threaded holes and holes for PCB fixing in the standard version.



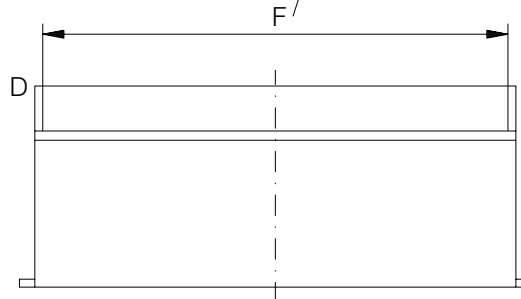
# Al cap

## Dimensions



Material: Al Mg1 F18  
Eloxal: E6/EV1

nur für LDG-A-46 und -70  
only for LDG-A-46 und -70



all dimensions in mm

## Dimension table (mm)

	A	B	C	D	E	F
<b>LDG-A-12</b>	38	33,4 <sup>-0,5</sup>	72	19,8	18,8	-
<b>LDG-A-14</b>	38	29,5 <sup>-0,5</sup>	72	42,2	39,8	-
<b>LDG-A-16</b>	38	29,5 <sup>-0,5</sup>	72	51,95	48,8	-
<b>LDG-A-30</b>	38	29,5 <sup>-0,5</sup>	72	96,7	90,9	-
<b>LDG-A-46</b>	35	29,5 <sup>-0,2</sup>	71,25	144,0	140,4	137,4
<b>LDG-A-70</b>	34,5	29,5 <sup>-0,5</sup>	71,25	219,5	215,9	212,9

The Al caps will be delivered w/o threaded holes and holes for PCB fixing in the standard version.

## Part number index

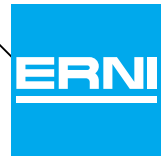
Part no.	Page	Part no.	Page
014415	16	053126	24
014416	16	053126	7
014417	16	053145	24
014649	20	053145	7
014649	14	053146	16
014790	20	053146	24
014790	14	053146	16
014818	20	053146	7
014819	20	053148	24
014820	20	053148	7
024078	20	053148	22
024080	20	053164	18
024080	10	053164	8
024082	11	053869	16
024870	16	053869	8
024870	10	053870	16
034653	22	053870	8
034653	20	053871	16
034653	18	053871	8
034653	16	054248	20
034653	14	054248	8
034655	22	054249	20
034655	20	054249	8
034655	18	054730	8
034655	16	054730	22
034655	14	103006	22
034769	18	103006	20
034769	8	103006	18
043800	7	103006	16
043801	20	103006	14
043802	20	103008	22
043806	7	103008	20
043811	16	103008	18
043824	16	103008	16
043831	7	103008	14
043834	18	103031	16
043843	18	103032	16
043852	7	103033	16
043853	11	103034	16
043860	11	114932	11
043870	7	114932	10
043873	14	404142	24
043875	14	404142	20
043881	7	404142	7
043882	22	413962	18
043894	22	413963	18
044868	24	413964	18
044868	18	413965	18
044868	7	413966	18
05145	14	413967	18
053074	18	413968	18
053074	8	414124	16
053126	11	414165	18





## Part number index

Part no.	Page
414453 .....	11
414455 .....	11
414456 .....	11
414457 .....	11
414458 .....	11
414459 .....	11
414460 .....	11
414461 .....	11
414462 .....	11
414463 .....	11
414466 .....	11
414469 .....	11
414470 .....	11
423272 .....	14
423273 .....	14
423274 .....	14
423280 .....	14
424140 .....	14
424239 .....	22
424240 .....	22
424241 .....	22
424242 .....	22
424243 .....	22
424244 .....	22
424245 .....	22
424327 .....	22
424328 .....	10
424328 .....	22
434098 .....	18
434098 .....	10



# THE ERNI COMMITMENT – BEYOND CUSTOMER SATISFACTION

## ERNI Manufactures a Wide Range of World-Class Quality Interconnect Products

### DIN 41612/IEC 60603-2 Connectors

- Wide Range of Standard and Inverse Pressfit and Solder DIN Connectors
- High Density 4 and 5 Row Connectors
- Right-Angle Pressfit Connectors
- Type M Hybrid Connectors for Signal, Power and Coax
- Female Crimp Connectors
- IDC Receptacle Connectors
- Cable Housings (covers)
- Eurocard Center Connectors



2.54 mm IDC Connector System



ERmet® 2mm Hard Metric Connectors

### 2 mm Hard Metric Connectors

- ERmet® 7 and 10 Row Connectors
- ERmet® Connectors for cPCI and VME-64x Applications
- Verticale Female Connectors
- Shielded and Unshielded Connectors
- Shrouds
- AB Connectors and Shrouds
- Monoblock Connectors



D SUB Pressfit Connectors



SMC .050" (1.27 mm) SMT Connector System

### D-Subminiature Connectors

- Pressfit Connectors
- Filtered Connectors
- Right-Angle Pressfit Connectors
- High Power Connectors
- IDC Connectors



LDG-A Miniature Enclosures



Wide range of DIN 41612 / IEC 60603-2 Connectors

### Cable Housings

### Other Connectors

- SMC .050 (1.27mm) Board to Board and Board-to-Wire Connectors
- ERbic® Bus Interface Connectors
- Pressfit Power Tap Connectors for Backplanes
- Shrouded Headers (.100")
- Coaxial Cable PCB Connectors
- 2.54 mm IDC Connector System



Cable Housings



ERbic® Bus Interface Connector System

### Miniature Enclosures

- LDG-A DIN-Rail Enclosures
- IDG-B DIN-Rail Enclosures

ERNI also carries presses and tooling to support your interconnect applications.

**EXPECT IT FROM ERNI**

See Our Web Page: • <http://www.erni.com>

#### Europe, South America, Africa

ERNI Elektroapparate GmbH • Seestr. 9 • D-73099 Adelberg • Germany  
Tel: (+49) 7166 50-0 • Fax (+49) 7166 50 119 • E-Mail: [info@erni.de](mailto:info@erni.de)

#### North America, Canada, Mexico

ERNI Components, Inc. • 12701 N. Kingston Ave. • Chester, VA 23836 • USA  
Tel. (+1) 804 530-5012 • Fax (+1) 804 530-5232 • E-Mail: [info@ernicomponents.com](mailto:info@ernicomponents.com)

#### Asia

ERNI Asia Pte. Ltd. • Blk 13 Toa Payoh Lorong 8 • #05-05 Braddell Tech • Singapore 319261  
Tel. (+65) 256 8761 • Fax (+65) 256 8753 • E-Mail: [info@erni-asia.com](mailto:info@erni-asia.com)

#### Sales and Manufacturing Worldwide

<http://connect.erni.com/contact/>



Distribución de componentes eléctricos y electrónicos

Tel.: (+34) 902 450 160

Fax: (+34) 902 433 088

[ernec@ernec.com](mailto:ernec@ernec.com)

[www.ernec.com](http://www.ernec.com)

**ERNIPRESS**

**ERmet®**

**ERcom®**

**ERbic®**



**Limitor**