

DH series

Thumb wheel rotary code switches

Surface mount



- 10 position Thumb wheel switch with operating crown
- For right and left side of PCB's
- Surface mount
- Perfect for slim housings: 13mm diameter, 6mm wide

DH				
SERIES	Codes	PCB Mounting	Contact Pins	Printing
	101A BCD 10 pos	R Right L Left	SMT Surface Mount	001 w/ crown - white printing 1-10 002 w/out crown - white printing 1-10 003 w/ crown - white printing 0-9 004 w/out crown - white printing 0-9

ELECTRICAL SPECIFICATIONS
<ul style="list-style-type: none"> • Operating voltage : 42VDC max. • Contact load, static : 400mA max. • Contact load, dynamic : 100mA max. • Initial contact resistance : 80mΩ max. • Insulation resistance : 100MΩ min.

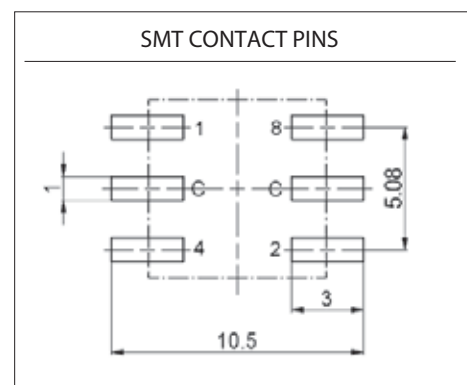
MECHANICAL AND THERMAL SPECS
<ul style="list-style-type: none"> • Torque : 1.2 Ncm min. ± 0.2 • Expected life : 25,000 steps min. • Operating temperature : -50°C (-58°F) to +125°C (257°F) • Positions: 10

MATERIALS
<ul style="list-style-type: none"> • Base : UL94-V0, high temperature thermoplastic • Cover : Stainless steel • Thumb wheel: UL94-V0, high temperature thermoplastic • Actuator : UL94-V0, high temperature thermoplastic • Washer: Stainless steel • Contacts : Gold over nickel plated copper alloy • Terminals : Tin plated

SOLDER RECOMMENDATIONS
<ul style="list-style-type: none"> • Reflow soldering : 260°C (500°F) max. for 10 seconds max

PACKAGING
<ul style="list-style-type: none"> • Tape & Reel: Surface mount, 500 pcs. (700 pcs. without operating crown)

CODES																																																					
<table border="1"> <thead> <tr> <th colspan="2">BCD 10 POSITION - LEFT</th> </tr> <tr> <th colspan="2">TERMINALS</th> </tr> <tr> <th></th> <th>C 1 2 4 8</th> </tr> </thead> <tbody> <tr><td>0</td><td>1</td></tr> <tr><td>1</td><td>2</td></tr> <tr><td>2</td><td>3</td></tr> <tr><td>3</td><td>4</td></tr> <tr><td>4</td><td>5</td></tr> <tr><td>5</td><td>6</td></tr> <tr><td>6</td><td>7</td></tr> <tr><td>7</td><td>8</td></tr> <tr><td>8</td><td>9</td></tr> <tr><td>9</td><td>10</td></tr> </tbody> </table>	BCD 10 POSITION - LEFT		TERMINALS			C 1 2 4 8	0	1	1	2	2	3	3	4	4	5	5	6	6	7	7	8	8	9	9	10	<table border="1"> <thead> <tr> <th colspan="2">BCD 10 POSITION - RIGHT</th> </tr> <tr> <th colspan="2">TERMINALS</th> </tr> <tr> <th></th> <th>C 1 2 4 8</th> </tr> </thead> <tbody> <tr><td>0</td><td>1</td></tr> <tr><td>9</td><td>2</td></tr> <tr><td>8</td><td>3</td></tr> <tr><td>7</td><td>4</td></tr> <tr><td>6</td><td>5</td></tr> <tr><td>5</td><td>6</td></tr> <tr><td>4</td><td>7</td></tr> <tr><td>3</td><td>8</td></tr> <tr><td>2</td><td>9</td></tr> <tr><td>1</td><td>10</td></tr> </tbody> </table>	BCD 10 POSITION - RIGHT		TERMINALS			C 1 2 4 8	0	1	9	2	8	3	7	4	6	5	5	6	4	7	3	8	2	9	1	10
BCD 10 POSITION - LEFT																																																					
TERMINALS																																																					
	C 1 2 4 8																																																				
0	1																																																				
1	2																																																				
2	3																																																				
3	4																																																				
4	5																																																				
5	6																																																				
6	7																																																				
7	8																																																				
8	9																																																				
9	10																																																				
BCD 10 POSITION - RIGHT																																																					
TERMINALS																																																					
	C 1 2 4 8																																																				
0	1																																																				
9	2																																																				
8	3																																																				
7	4																																																				
6	5																																																				
5	6																																																				
4	7																																																				
3	8																																																				
2	9																																																				
1	10																																																				

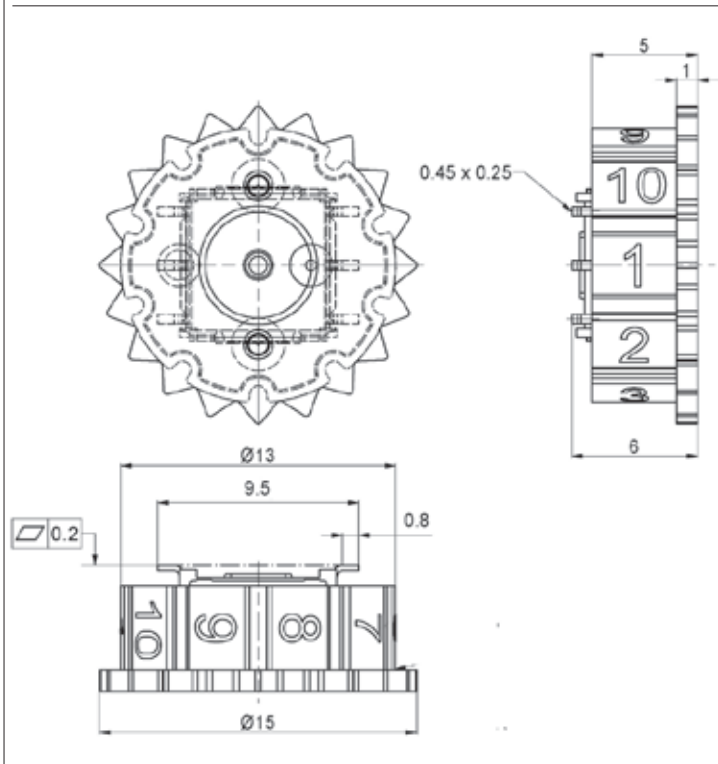


DH series

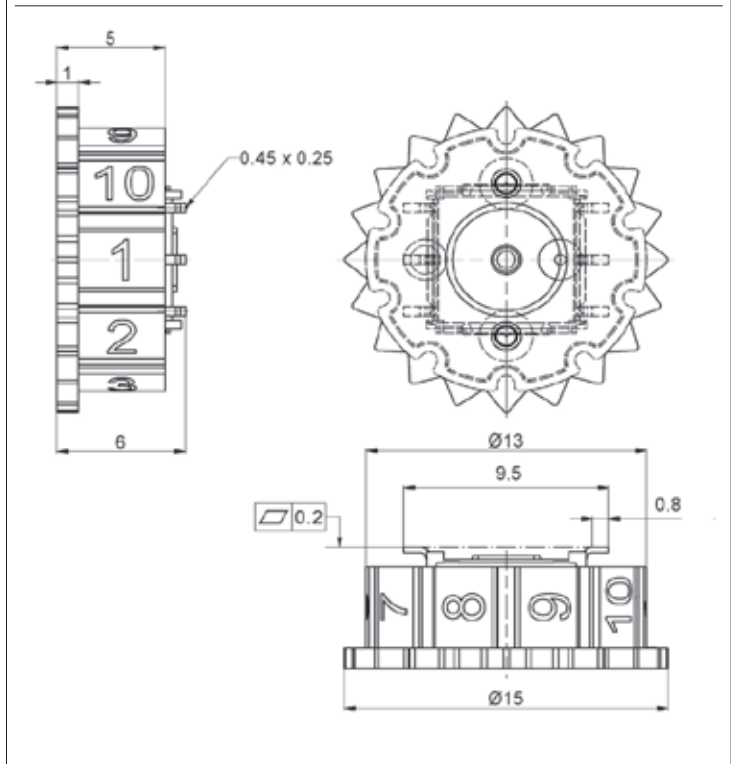
Surface mount

DIMENSIONS

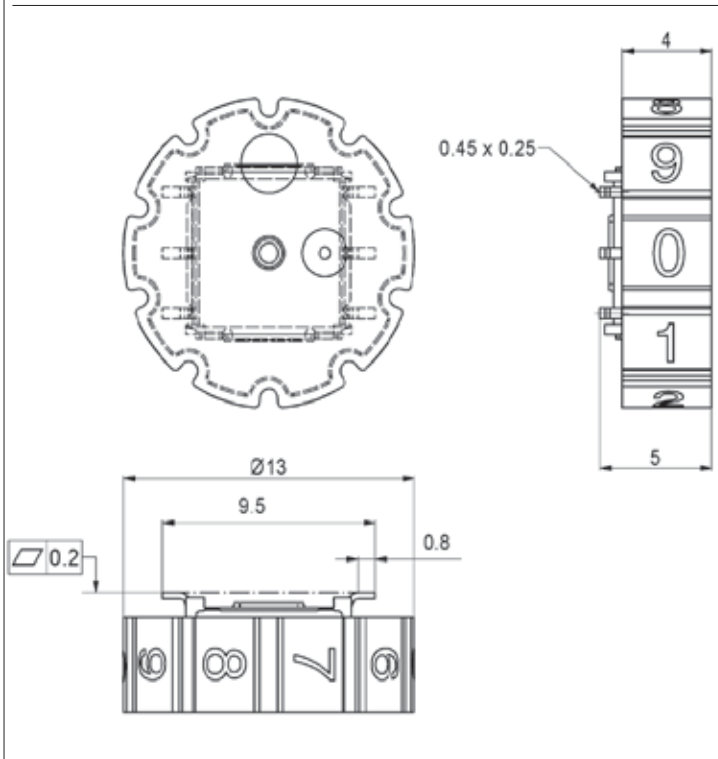
PCB LEFT - WITH OPERATING CROWN



PCB RIGHT - WITH OPERATING CROWN



PCB LEFT - WITHOUT OPERATING CROWN



PCB RIGHT - WITHOUT OPERATING CROWN

