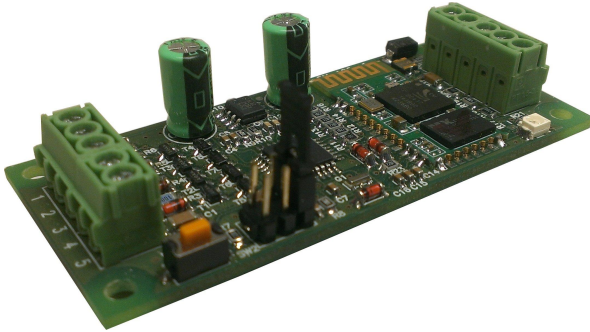


# EM-A25 BLUETOOTH REMOTE CONTROL RECEIVER

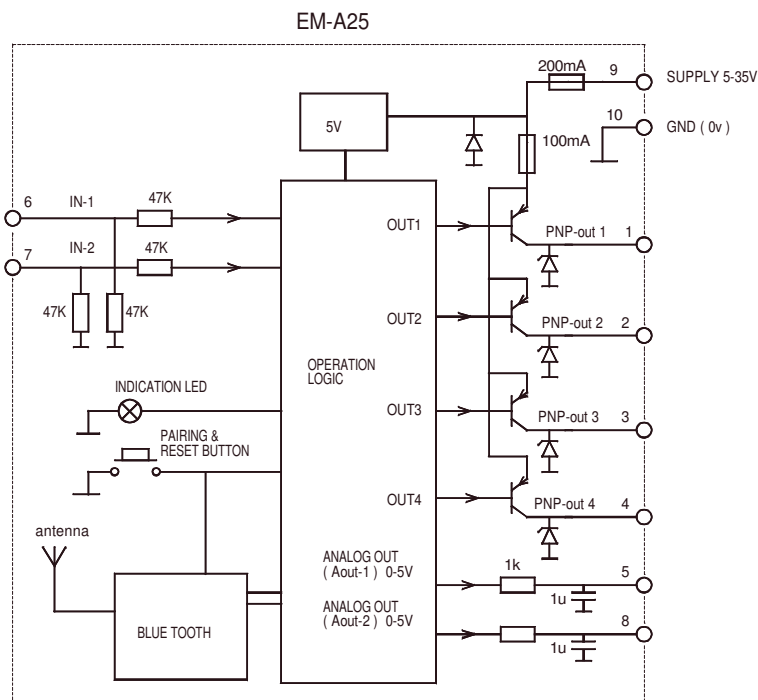


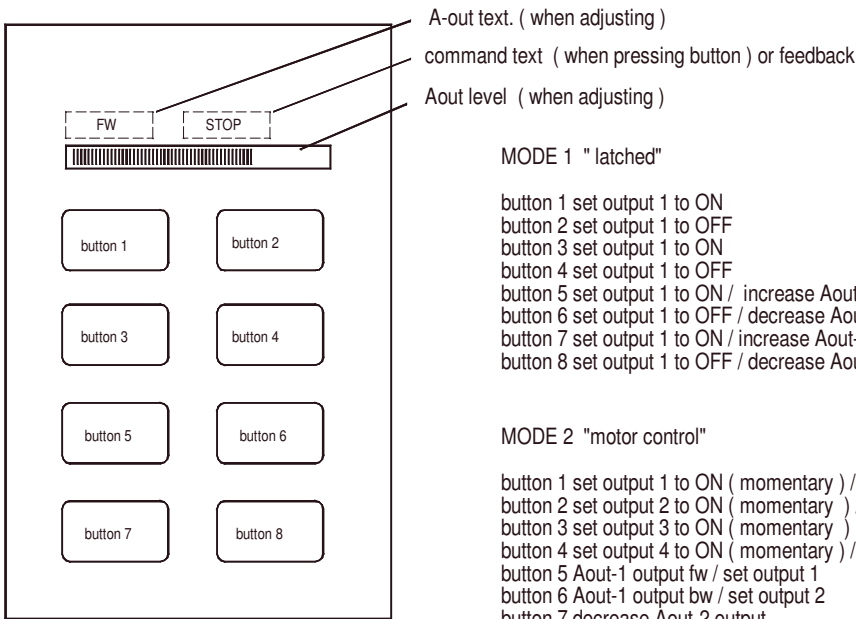
- Remote control with smart phone
- made for Android operating system
- Free download app. from Play Store "Emen BT Remote controller"
- Four digital outputs
- Two analog outputs
- Two digital inputs
- Two operating modes

EM-A25 is receiver unit for bluetooth remote controller. Android smart phone with Blue Tooth can work as remote control transmitter. The "Emen BT Remote Controller" remote control App. can be downloaded from Google Play Store. This application is free. Receiver unit can be paired with smart phone and receiver unit can be set to have an user selected PIN-code to ensure safety operation. The device has two operating modes, basic and motor control. In Basic mode output works as latched. In motor control mode the output works in momentary mode and there is also a special direction/speed control option. In smart phone application there can be max. eight buttons. User can give names for every button and useless buttons can be blocked out from display. Same time the application scales the button arrangement automatically to be as compact as possible. Analog outputs can be adjusted with resolution of one percent and there is a number and bar display for indicating the set level. The digital outputs of the receiver card have a protection diode, so also small relays can be controlled directly. Analog output has an 1kohm output impedance and it can be used to control the speed input of a motor driver card.

## TEHNICAL DATA

Operating voltage 5-35V  
 Idle current typ 30mA  
 Max. current 150mA  
 PNP output current 100mA ( total )  
 Analog output 0-5V ( 8bit ) step 20mV  
 Digital input level < 1= "off" / >4V ="on"  
 Response time 10ms  
 Max. operating range typ. 10m  
 Operating frequency 2.4GHz ( bluetooth )





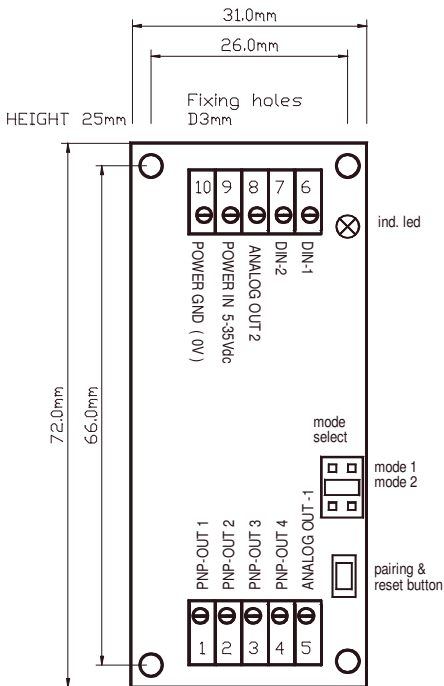
MODE 1 "latched"

- button 1 set output 1 to ON
- button 2 set output 1 to OFF
- button 3 set output 1 to ON
- button 4 set output 1 to OFF
- button 5 set output 1 to ON / increase Aout-1
- button 6 set output 1 to OFF / decrease Aout-1
- button 7 set output 1 to ON / increase Aout-2
- button 8 set output 1 to OFF / decrease Aout-2

MODE 2 "motor control"

- button 1 set output 1 to ON ( momentary ) / reset Aout 1
- button 2 set output 2 to ON ( momentary ) / reset Aout 1
- button 3 set output 3 to ON ( momentary )
- button 4 set output 4 to ON ( momentary ) / reset Aout-1 with ramp
- button 5 Aout-1 output fw / set output 1
- button 6 Aout-1 output bw / set output 2
- button 7 decrease Aout-2 output
- button 8 increase Aout-2 output

When one button has been selected, then command frame shows function. The comand text can be defined with smart phone. For example 1 = closing, 2 opening etc. The digital inputs 1 and 2 can also be set to give a feedback message. This feedback message will over run command text. For example: button 1 is pushed and command text is "closing", if same time input 1 is activated, then it can give text "closed" into feedback frame.



Dir / Speed application example

- Button 5 and 6 for Aout-1 adjust ( can be used as speed control )
- Output 1 and 2 are synchronised with Aout-1 ( can be used as direction control )
- Button 3 resets Out1 and Out2 and Aout-1 with ramp
- Button 4 is Out4 control ( but not in use )
- Button 1,2,7 and 8 are disabled on display

