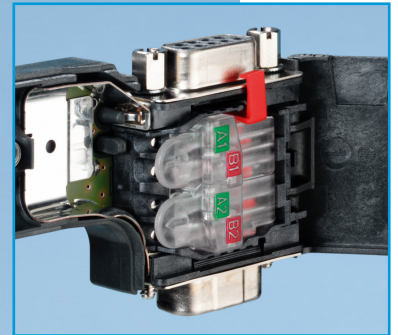
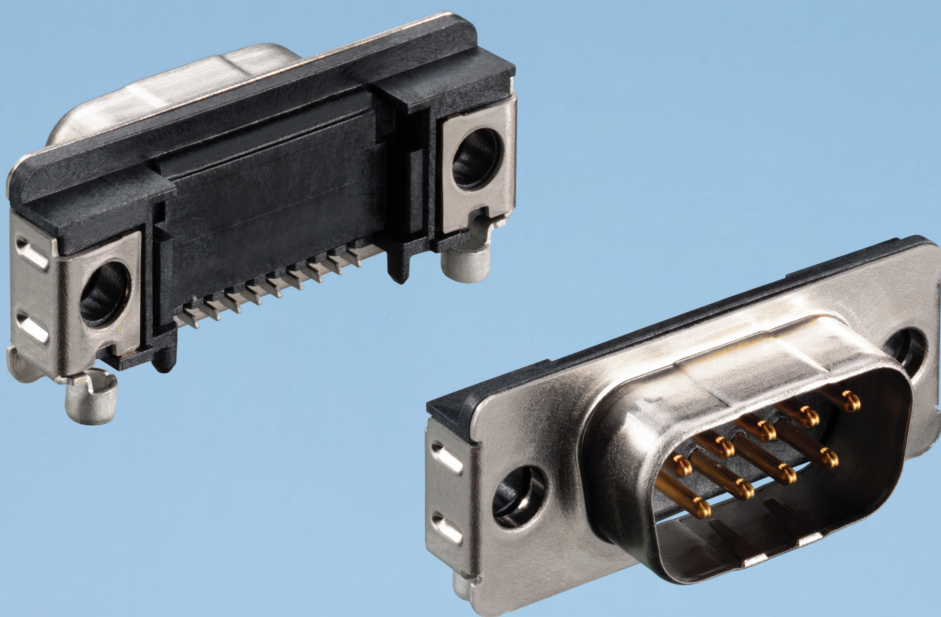


# D-Sub Slimline

## D-SUB SLIMLINE 90° SMT

### PRODUCT SPECIFICATION



#### ERNI D-Sub Slimline SMT

ERNI's ultra-slim D-Sub excels due to its space-saving design that distinctively reduces the board space necessary. Hereby, miniaturization and robustness of I/O interfaces in industrial applications are no longer incompatible.

The slimline connector is available as plug and socket for fully-automated board assembly and is suitable for modern reflow soldering processes.

Benefit for our customers: efficiency in board assembly and reliability in the field.

Combined with attractive conditions.

The ERNI D-Sub Slimline: quality Made in Germany.

- Ultra slim design
- 66% less board space
- Plug and socket 90°
- 4 A / 20 °C
- Tape & Reel packaging

# D-Sub Slimline

## PLUG AND SOCKET, RIGHT ANGLED

### AVAILABLE VERSIONS



Right angled SMT connectors

Plug and socket 9-pin

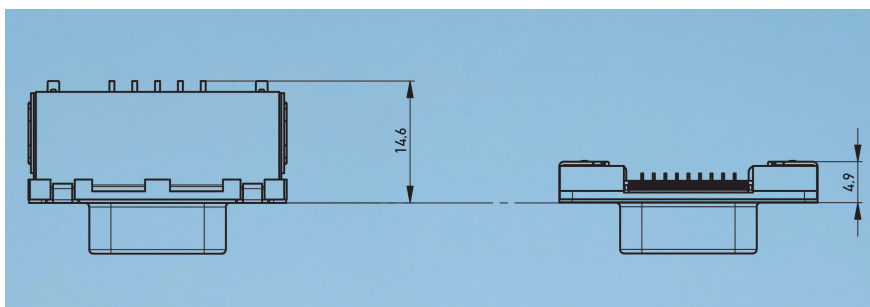
Engineering concept for 15-, 25- and 37-pin versions available

Mouting holes dia. 3.2 mm (mating side)

Optional: threaded nut M3 or #4-40

Reflow soldering according to JEDEC 020

### COMPARISON SLIMLINE VS. STANDARD D-SUB

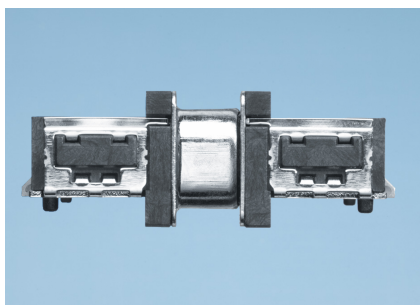


Space-saving: only 33% of board space necessary (compared to a conventional model)

Additional solder pegs ensure:

- reliability against mech. stress
- continuous ground paths

Excellent coplanarity (< 0,1 mm)

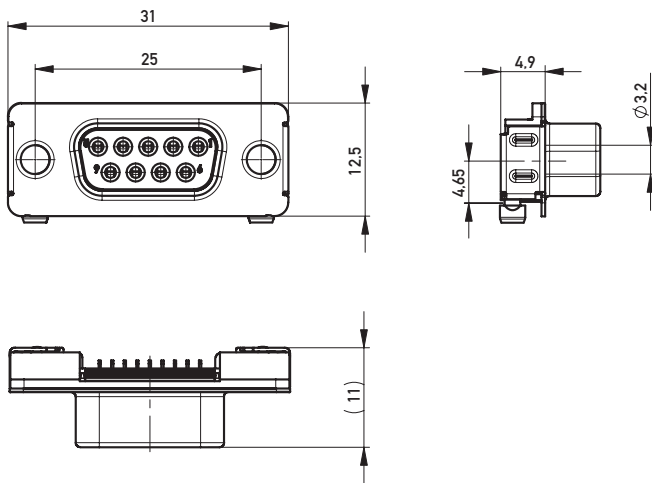


# D-Sub Slimline

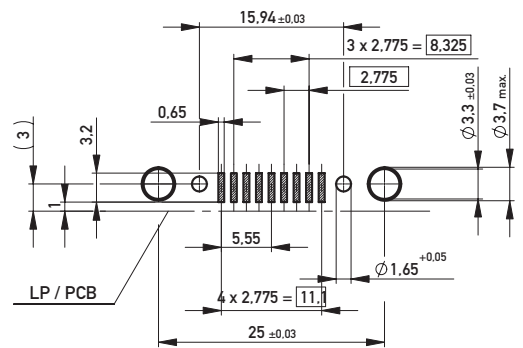
## PLUG AND SOCKET, RIGHT ANGLED

### DIMENSIONAL DRAWING

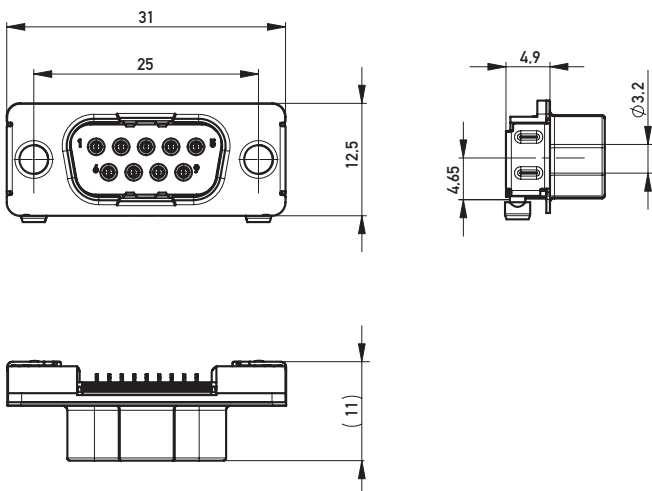
#### Socket 9-pin



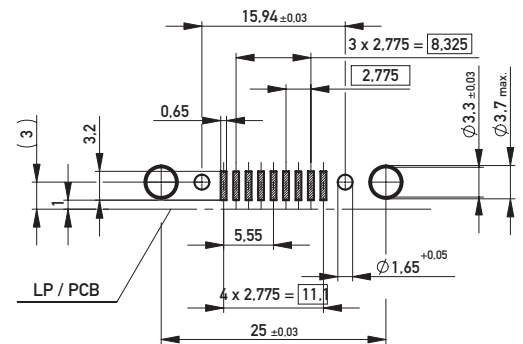
#### Recommended Layout



#### Plug 9-pin



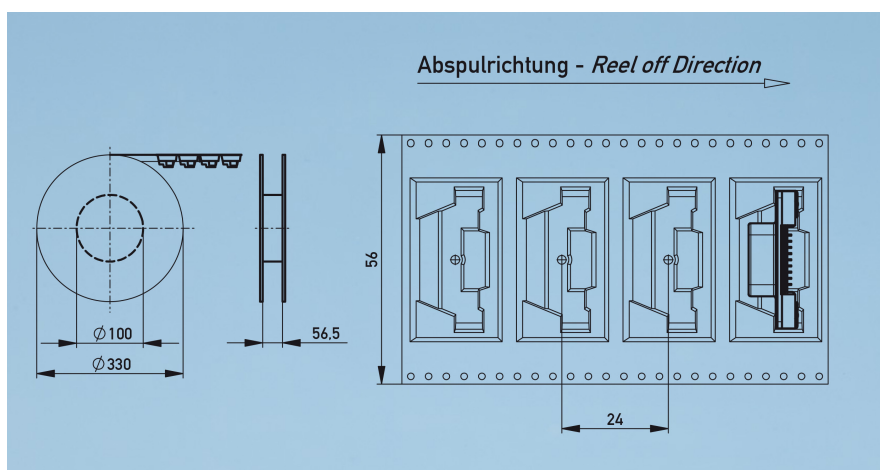
#### Recommended Layout



# D-Sub Slimline

## PLUG AND SOCKET, RIGHT ANGLED

### PACKAGING



D-Sub Slimline SMT:  
Tape & Reel packaging for fully-automated board assembly

### ORDERING INFORMATION

No. of Pins	Configuration	Termination	Packaging	Part Number
9	Socket	SMT	Tape & Reel	394424
9	Plug	SMT	Tape & Reel	394431