



- 5-way with center pushbutton option
- Positive tactile feedback
- MOM-OFF-MOM action
- Threaded bush mount option
- Sealed to IP68 and IP69K
- Connectorized housing

CURRENT/VOLTAGE RATING WITH RESISTIVE LOAD

CONTACT	RATING	LIFECYCLES
• Gold plated (G)	- 10mA @ 30VDC	- 200,000 operations
• Silver plated (S)	- 100mA @ 30VDC	- 100,000 operations
• Mechanical life	- 300,000 operations	
• Insulation resistance	- Min 100MΩ (250VDC by insulation resistance meter)	
• Voltage withstand	- 500VAC for 1 minute	
• Contact resistance	- Max 200mΩ (by YHP4328A)	
• Electrical function	- MOM-OFF-MOM	

MECHANICAL

- Operating Force: 5.56N±0.53N (1.25lbf±0.12lbf)¹
- Maximum Vertical Load: 200N (45lbf)¹
- Maximum Horizontal Load: 150N (33.7lbf)¹
- Lever travel: 30° (±15°)
- Mass/weight: 17g (0.0375lb) (Option HS1DXXXA)

ENVIRONMENTAL

- Sealing: IP68, IP69K²
- Operating temperature: -25°C to +80°C (-13°F to +176°F)

PUSHBUTTON SWITCH (Option 6 Handle)

- Electrical life: 100,000 cycles
- Rating: 50 mA, 12VDC
- Terminal: Brass with silver plating
- Contact resistance: 100 milliohms max.
- Insulation resistance: 100 megohms min. 500VDC
- Dielectric strength: 250VAC /1 minute
- Contact arrangement: 1 pole 1 throw
- Operation force: 1.5lbf
- Stop strength: Max 3kgf vertical static load for 15 seconds
- Operating temperature: -25°C to +70°C (-13°F to +158°F)
- Storage temperature: -30°C to +85°C (-22°F to +185°F)

TERMINATION

- Manufacturer: Molex
- Manufacturer part number: 501331-0607
- Product range: Pico-Clasp™
- Circuits: Six
- Pitch: 1.00mm
- Mating connector: Molex 501330-0600

OPTIONAL MATING HARNESS³

- Wire type: 28AWG 25cm PTFE
- Connector: Molex 501330-0600



NOTES:

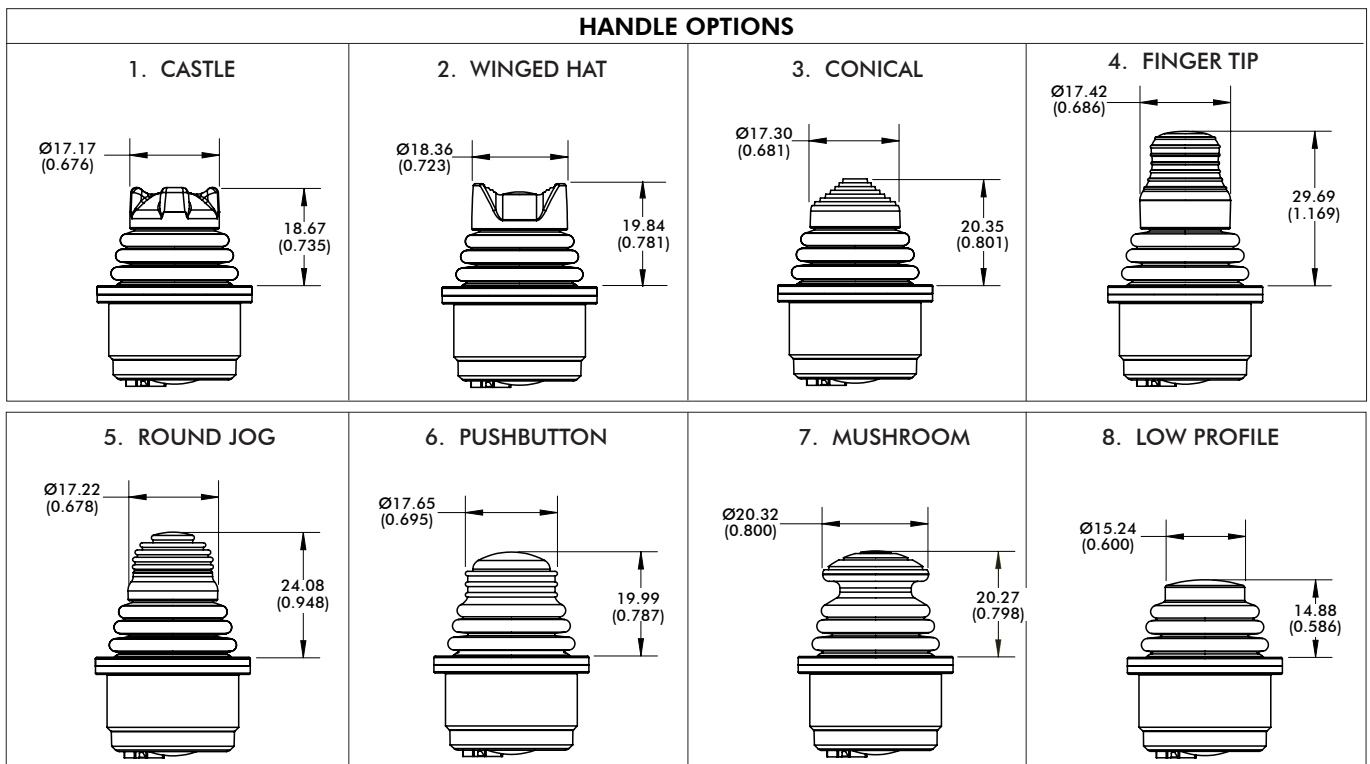
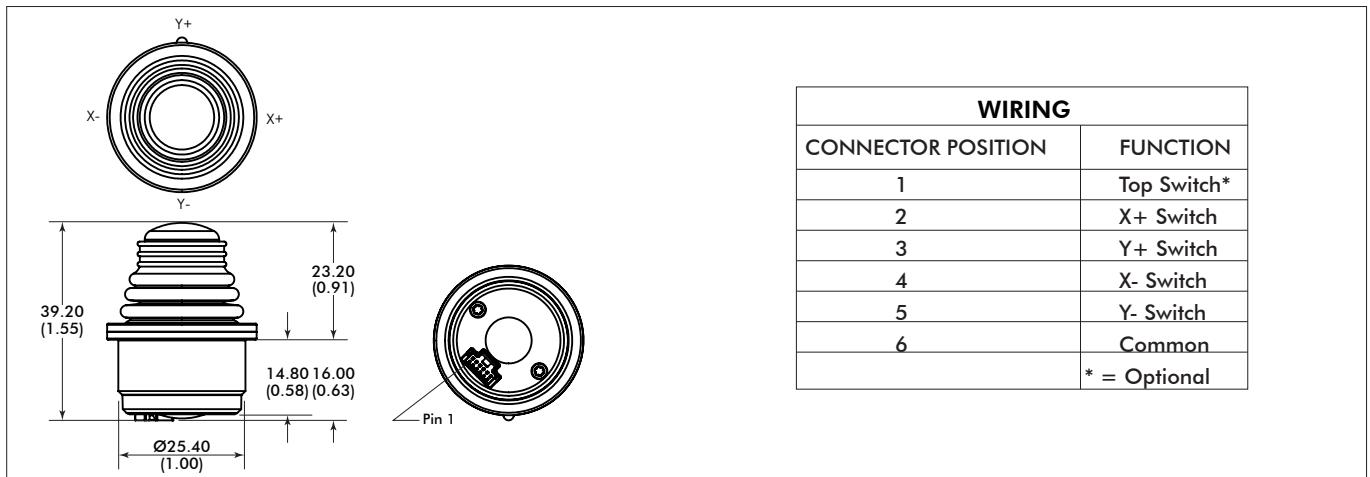
1. Force applied to the top of the castle cap.
 2. All options are IP68 and IP69K rated, however Drop-in mounting does not prevent panel ingress.
 3. The HS Series tactile toggle switch is fitted with a six terminal Molex (501331-0607) connector. A mating harness is not included, but may be specified at the time of order for an additional charge. The 4-function harness is part number 505-508. The 5-function harness, necessary for the Option 6 Handle is part number 505-509.
- All values are nominal.

HS series

Sealed 5-way switch based miniature joystick

Overview

HS						A
SERIES	Handle	Mounting Style	Termination	Limiter	Contact	
	0 None 1 Castle 2 Winged Hat 3 Conical 4 Finger Tip 5 Round Jog 6 Pushbutton 7 Mushroom* 8 Low Profile*	N None D Drop-in R Rear Mount A Drop-in and Rear Mount T Threaded Housing	1 1.00mm (0.039in) Pitch Molex Connector 2 1.00mm (0.039in) Pitch Molex Connector with 10" Mating Harness	2 2-way  4 4-way 	S Silver Plated G Gold Plated	
* = Not available with Threaded Housing (Mounting Style Option "T")						



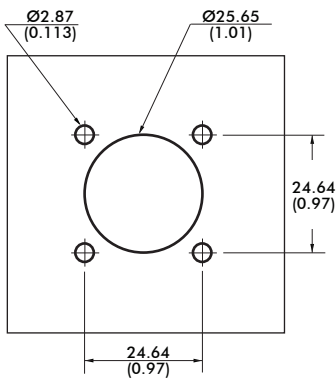
NOTE: Dimensions are in mm/(inch)

HS series

Sealed 5-way switch based miniature joystick

Mounting options and accessories

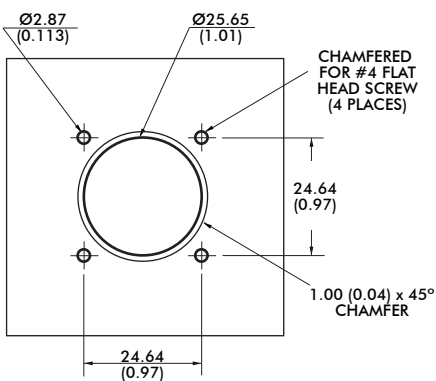
PLASTIC HOUSING – DROP-IN OPTION CUTOUT DIMENSIONS



4 x PUSH IN CONNECTORS



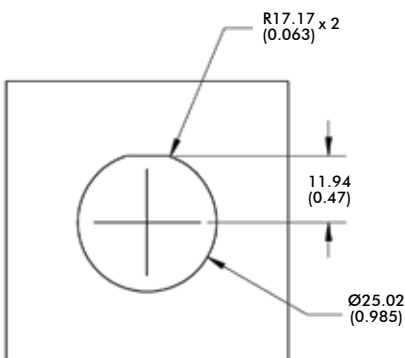
PLASTIC HOUSING – REAR MOUNT OPTION CUTOUT DIMENSIONS



4 x 1/2 FH SS PHIL SCREW



METAL THREADED HOUSING – DROP-IN OPTION CUTOUT DIMENSIONS



NOTES:

1. The maximum panel thickness for the Rear Mount configuration is 2.032mm/(0.08in).
2. The under panel depth for the Drop-in configuration is 16.02mm/(0.631in).
3. The under panel depth for the Metal Threaded Housing configuration is 14.55mm/(0.573in).
4. Dimensions are in mm/(inch).

ERMEC
www.ermec.com
Distribución de componentes
eléctricos y electrónicos

Tel.: (+34) 902 450 160
Fax: (+34) 902 433 088
ermec@ermec.com
www.ermec.com