

PowerElements

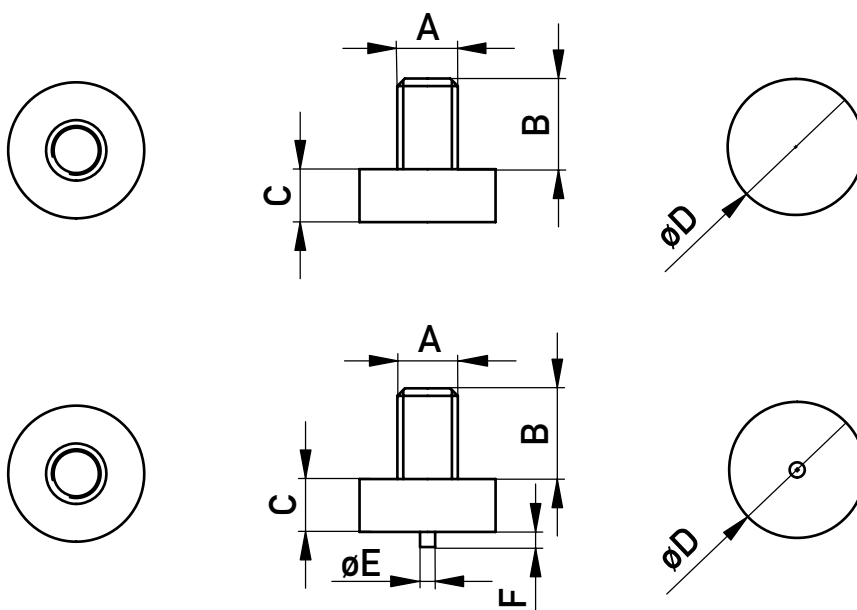
SMD, MALE THREAD

PRODUCT SPECIFICATION



- For soldering in SMT
- Available with and without peg
- Blistered for fully automated assembly
- PCB connection for fixing cable lugs
- UNC thread or customer specific modifications on demand

DIMENSIONAL DRAWINGS



PowerElements

SMD, MALE THREAD

ORDERING INFORMATION

A	B	C	D	E	F	Mounting Peg	Part Number
M3	5	3	7	–	–	no	225850
M4	6	3.5	9	–	–	no	225851
M5	8	4.5	9	–	–	no	225852
M6	10	5.5	13	–	–	no	225853
M8	13	7.5	13	–	–	no	225854
M10	16	8	16	–	–	no	225855
M3	5	3	7	1	1	yes	225862
M4	6	3.5	9	1	1	yes	225863
M5	8	4.5	9	1	1	yes	225864
M6	10	5.5	13	1	1	yes	225865
M8	13	7.5	13	1	1	yes	225866
M10	16	8	16	1	1	yes	225867

Dimension B - F in mm

PowerElements

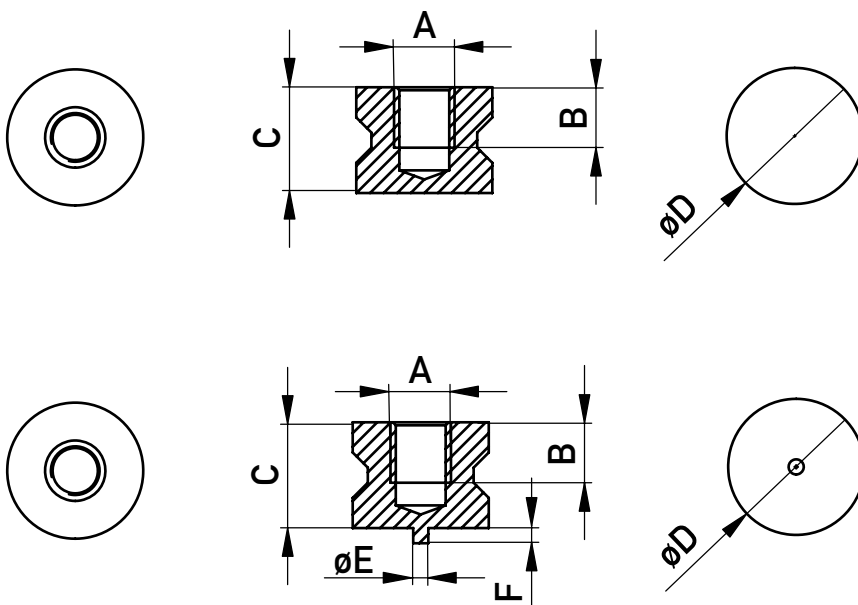
SMD, FEMALE THREAD

PRODUCT SPECIFICATION



- For soldering in SMT
- Available with and without peg
- Blistered for fully automated assembly
- PCB connection for fixing cable lugs
- UNC thread or customer specific modifications on demand

DIMENSIONAL DRAWINGS



ERMEC S.L. BARCELONA
 c/ Francesc Teixido, 22
 08918 Badalona
 (Espana)

Tel.: (+34) 902 450 160
 Fax: (+34) 902 433 088
info@ermec.com
www.ermec.com

ERMEC, S.L. MADRID
 c/Mejorada, 17,1ªPta.Of.D4
 28850 Torrejón de Ardoz
 (Espana)

PORTUGAL
portugal@ermec.com
BILBAO
bilbao@ermec.com

PowerElements

SMD, FEMALE THREAD

ORDERING INFORMATION

A	B	C	D	E	F	Mounting Peg	Part Number
M3	3.5	6	7	–	–	no	225856
M4	4	7	9	–	–	no	225857
M5	4	7	9	–	–	no	225858
M6	6.5	10.5	10	–	–	no	225859
M8	8	13.5	13	–	–	no	225860
M10	11	17.5	16	–	–	no	225861
M3	3.5	6	7	1	1	yes	225868
M4	4	7	9	1	1	yes	225869
M5	4	7	9	1	1	yes	225870
M6	6.5	10.5	10	1	1	yes	225871
M8	8	13.5	13	1	1	yes	225872
M10	11	17.5	16	1	1	yes	225873

Dimension B - F in mm

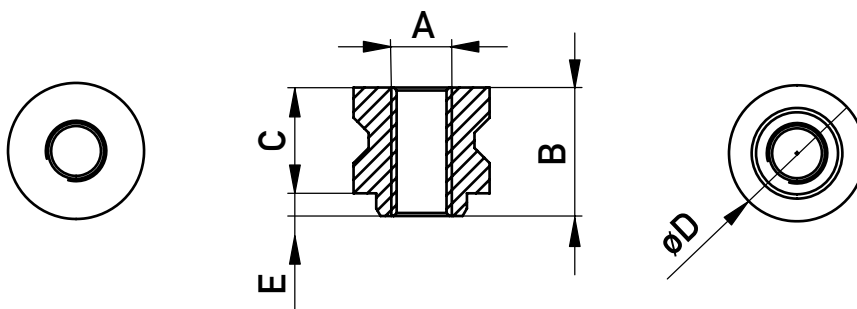
SMD, FEMALE THREAD THROUGHOUT

PRODUCT SPECIFICATION



- For soldering in SMT
- Available with and without peg
- Blistered for fully automated assembly
- PCB connection for fixing cable lugs
- UNC thread or customer specific modifications on demand

DIMENSIONAL DRAWINGS



PowerElements

SMD, FEMALE THREAD THROUGHOUT

ORDERING INFORMATION

A	B	C	D	E	Mounting Peg	Part Number
M3	7.5	6	7	1.5	no	225874
M4	8.5	7	9	1.5	no	225875
M5	8.5	7	9	1.5	no	225876
M6	13	11.5	13	1.5	no	225877
M8	15	13.5	13	1.5	no	225878
M10	19	17.5	16	1.5	no	225879

Dimension B - E in mm