

**New!**

# A02ES-H series

High-security emergency stop switches

*Distinctive features and specifications*



- Approved to EN 60947-5-5, EN60547-5-1, UL 508 and CSA
- Pull or twist to release
- AC-12, 3A 240VAC / DC-12, 2A 30V
- Panel sealed to IP65
- Built-in-safety

The A02ES-H series has been designed to ensure the highest security level. By design, this product has a failsafe modular construction.

Many other emergency stop switches are not failsafe and rely on butt action contacts: the NC contacts remain closed until the actuator is pressed. Therefore, if the switch is damaged, destroyed or assembled incorrectly, the contacts remain closed. On the A02ES-H, if the operator or switch block become separated, the circuit will open.

## ELECTRICAL SPECIFICATIONS

- Electrical function : push to shut off, pull or twist to release
- Current/voltage rating - NC contacts :  
AC-12, 3A 250VAC  
AC-15, 1,5A 250VAC  
DC-12, 2A 30V  
DC-13, 1A 30V
- Current/voltage rating - NO contacts :  
AC12, 0,6A 250VAC  
AC14, 0,3A 250VAC  
DC12, 2A 30V / 1A 30V
- Electrical life : 100.000 cycles
- Insulation resistance : 100 MΩ min.
- Dielectric strength : contact block 2.500 Vrms
- Contacts : gold plated silver

## GENERAL SPECIFICATIONS

- Panel thickness : 6 mm (.236) max.
- Low level or mechanical life : 250.000 cycles
- Recommended torque : 2Nm
- Switch terminals : M3 screws

## OPERATING FORCE

- Push to shut off : 32N
- Pull to release : 21N
- Turn to release : 0,27Nm
- Minimum force to direct opening action : 80N

## ENVIRONMENTAL SPECIFICATIONS

- Front panel sealing : IP65
- Terminals IP20 (finger safe)
- Operating temperature : -25°C to +60°C
- Storage temperature : -45°C to +80°C

## AGENCY APPROVALS



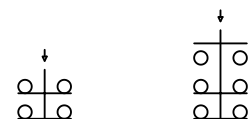
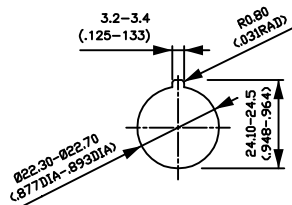
UL 508  
UL 991



CSA 22.2 No 14

EN 60947-5-5  
EN 60547-5-1

## PANEL CUT-OUT



Double pole  
Normally closed

Double pole NC  
+ single pole NO



**Mounting accessories** : Standard hardware supplied : 1 nut and 1 flat panel seal



**Packaging unit** : box of 1 piece with instruction sheet. *Instruction sheet also available on request.*

The company reserves the right to change specifications without notice - Not for sale in JAPAN.

# A02ES-H series

**New!**

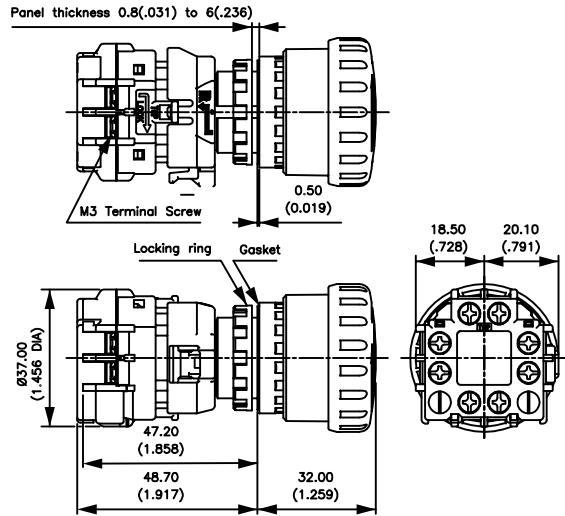
High-security emergency stop switches

Panel cut-out  $\varnothing 22 (.866)$

## Double pole, normally closed



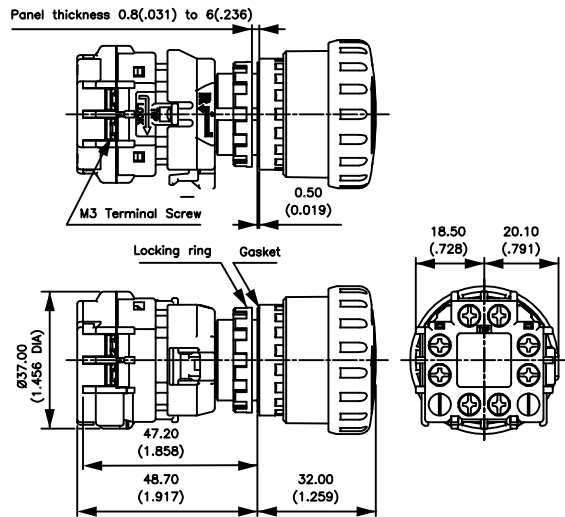
A02ESH3B102IX0



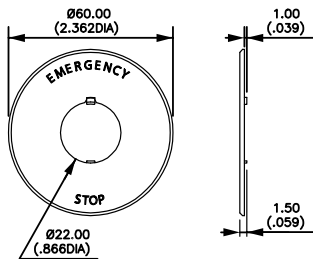
## Double pole, normally closed + Single pole, normally open



A02ESH3B112IX0



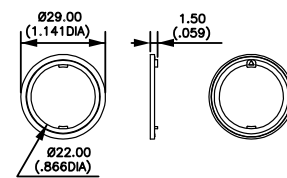
### $\varnothing 60$ mm name plate



Legend "EMERGENCY STOP" is indicated outside a  $\varnothing 44$  mm circle.

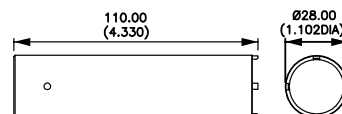
A02-U27Y

### Anti-rotation ring



A02-U9ZRL

### Locking ring wrench



A02-9ZT1

A02ESH1512-A