

**New!**

# A02ES-I series

Emergency stop switches

*Distinctive features and specifications*



- Approved to EN 60947-5-5, UL 508 and CSA
- Industrial range
- Pull or twist to release
- AC-12, 6A 240VAC / DC-12, 8A 24VAC
- Panel sealed to IP65
- Illuminated model

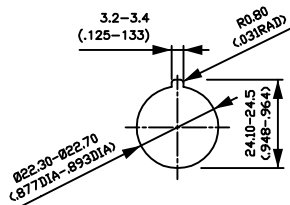
## ELECTRICAL SPECIFICATIONS

- Electrical function : push to shutt off, pull or twist to release
- Current/voltage rating : AC-12, 10A 24VAC / 6A 240VAC  
DC-12, 8A 24VDC  
AC-15, 10A 24VAC / 3A 240VAC  
DC-13, 4A 24VDC
- Electrical life : 100.000 cycles with one contact block
- Insulation resistance : 50 MΩ min.
- Dielectric strength : contact block 2.500 Vrms

## ENVIRONMENTAL SPECIFICATIONS

- Front panel sealing : IP65

## PANEL CUT-OUT



## GENERAL SPECIFICATIONS

- Panel thickness : 6 mm (.236) max.
- Low level or mechanical life : 250.000 cycles w. one contact block
- Operating temperature : -20°C to +55°C
- Switch terminals : M3.5 screws

## AGENCY APPROVALS

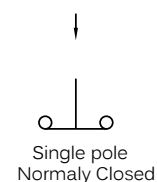
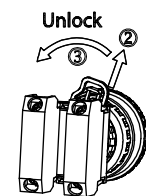


EN 60947-5-5

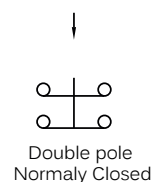
UL 508

CSA 22.2 No 14

## MOUNTING LOCKING SYSTEM



Single pole  
Normally Closed



Double pole  
Normally Closed



**Mounting accessories** : Standard hardware supplied : 1 nut and 1 flat panel seal



**Packaging unit** : box of 5 pieces

**ERMEC**  
www.ermec.com  
ERMEC, S.L. BARCELONA  
C/ Francesc Teixidó, 22  
08918 Badalona  
(Espana)

Tel.: (+34) 902 450 160  
Fax: (+34) 902 433 088  
[info@ermec.com](mailto:info@ermec.com)  
[www.ermec.com](http://www.ermec.com)

ERMEC, S.L. MADRID  
c/Mejorada, 17, 1ª Pla.Of.D4  
28850 Torrejón de Ardoz  
(Espana)

PORTUGAL  
[portugal@ermec.com](mailto:portugal@ermec.com)  
BILBAO  
[bilbao@ermec.com](mailto:bilbao@ermec.com)

The company reserves the right to change specifications without notice - Not for sale in JAPAN.

# A02ES-I series

**New!**

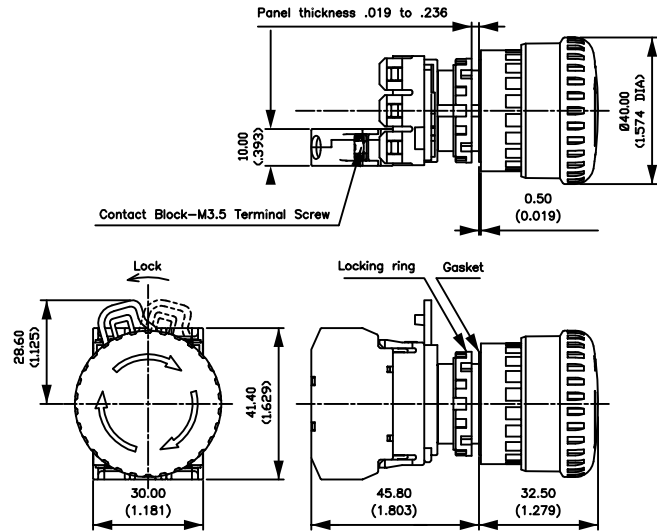
Emergency stop switches

Panel cut-out Ø 22 (.866)

## Single pole - Normally closed



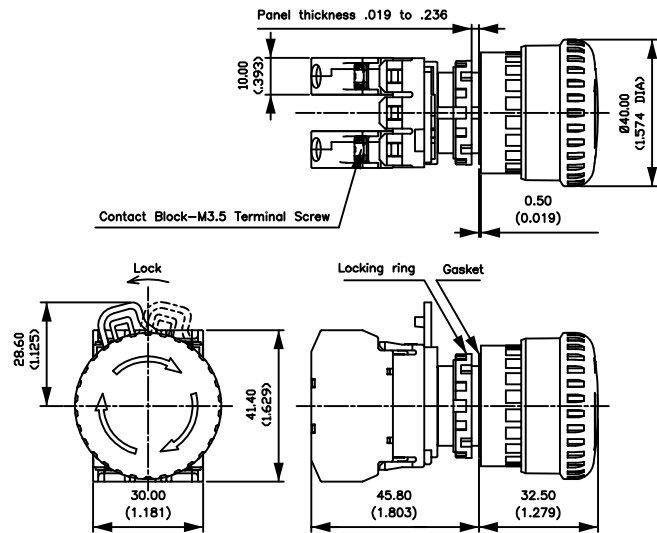
A02ESI3B101IX0



## Double pole - Normally closed



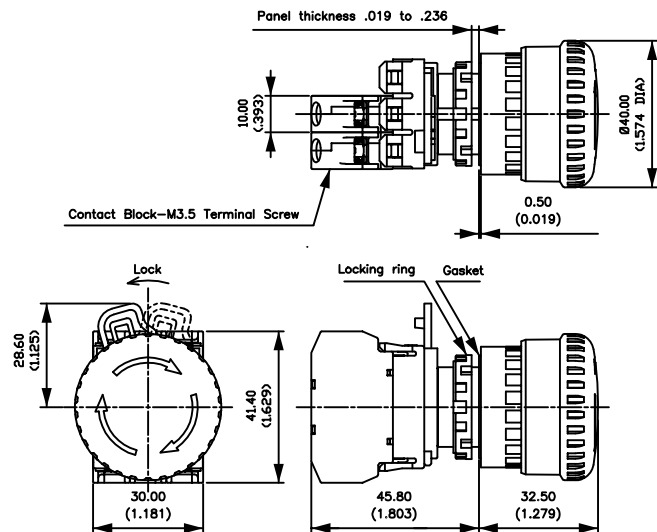
A02ESI3B102IX0



## Single pole - Normally closed - illuminated



With LED 24V  
A02ESI4B101IR2



ERMEC, S.L. BARCELONA  
C/ Francisc Teixidó, 22  
08918 Badalona  
(España)

Tel.: (+34) 902 450 160  
Fax: (+34) 902 433 088  
[info@ermec.com](mailto:info@ermec.com)  
[www.ermec.com](http://www.ermec.com)

ERMEC, S.L. MADRID  
c/Mejorada, 17, 1ªPl. Of.D4  
28850 Torrejón de Ardoz  
(España)

PORTUGAL  
[portugal@ermec.com](mailto:portugal@ermec.com)  
BILBAO  
[bilbao@ermec.com](mailto:bilbao@ermec.com)

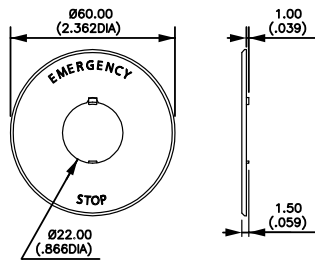
**New!**

# A02ES-I series

Emergency stop switches

Accessories

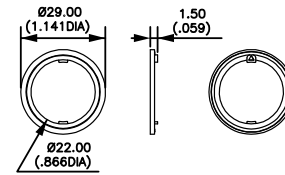
## Ø 60 mm name plate



Legend "EMERGENCY STOP" is indicated outside a Ø 44 mm circle.

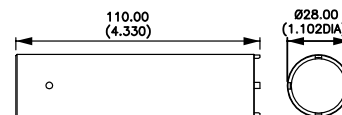
A02-U27Y

## Anti-rotation ring



A02-U9ZRL

## Locking ring wrench



A02-9ZT1



ERMEC, S.L. BARCELONA  
C/ Francesc Teixidó, 22  
08918 Badalona  
(España)

Tel.: (+34) 902 450 160  
Fax: (+34) 902 433 088  
[info@ermec.com](mailto:info@ermec.com)  
[www.ermec.com](http://www.ermec.com)

ERMEC, S.L. MADRID  
c/Mejorada, 17, 1ª Pla.Of.D4  
28850 Torrejón de Ardoz  
(España)

PORTUGAL  
[portugal@ermec.com](mailto:portugal@ermec.com)  
BILBAO  
[bilbao@ermec.com](mailto:bilbao@ermec.com)

A02ES11511-A