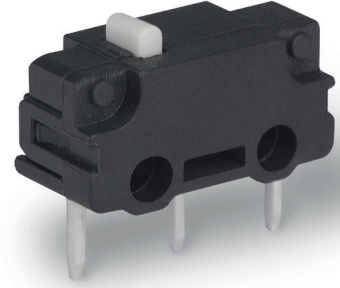


## X6



|                 |  |
|-----------------|--|
| Characteristics | <ul style="list-style-type: none"> <li>■ small size</li> <li>■ high current</li> <li>■ PCB mounting</li> <li>■ compliant to glow wire test IEC 60335-1, 4.ed.</li> </ul> |
| Rating          | Up to 250 VAC, 3 A   |
| Dimensions (mm) | 12.8 × 6.5 × 5.8   |
| Actuator        | <ul style="list-style-type: none"> <li>■ plunger</li> <li>■ plain lever</li> <li>■ simulated roller lever/cam follower</li> </ul>  |
| Approvals       | cULus, ENEC  |

## Preferred Range

| Ordering Reference | Actuating Force |       | Sealing | Operating pos. |      | Terminal | Circuit | Actuator     | Contacts | Electrical rating |
|--------------------|-----------------|-------|---------|----------------|------|----------|---------|--------------|----------|-------------------|
|                    | (N)             | (ozf) |         | (mm)           | (in) |          |         |              |          |                   |
| X6G303K1AA         | 1,50            | 5,40  | IP40    | 5,5            | 0,22 | PCB      | CO      | Plunger      | AgNi     | 250 VAC, 3 A      |
| X6G303K1AAJ1       | 0,50            | 1,80  | IP40    | 7,2            | 0,28 | PCB      | CO      | Plain lever  | AgNi     | 250 VAC, 3 A      |
| X6G303K1AALO       | 0,65            | 2,34  | IP40    | 9,6            | 0,38 | PCB      | CO      | Cam follower | AgNi     | 250 VAC, 3 A      |



**ERMEC, S.L. BARCELONA**  
 C/ Francesc Teixidó, 22  
 E-08918 Badalona  
 (Spain)

**Tel.: (+34) 902 450 160**  
**Fax: (+34) 902 433 088**  
[info@ermec.com](mailto:info@ermec.com)  
[www.ermec.com](http://www.ermec.com)

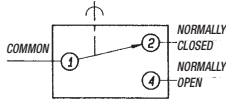
**ERMEC, S.L. MADRID**  
 C/ Sagasta, 8, 1ª planta  
 E-28004 Madrid  
 (Spain)

**PORTUGAL**  
[portugal@ermec.com](mailto:portugal@ermec.com)  
**BILBAO**  
[bilbao@ermec.com](mailto:bilbao@ermec.com)

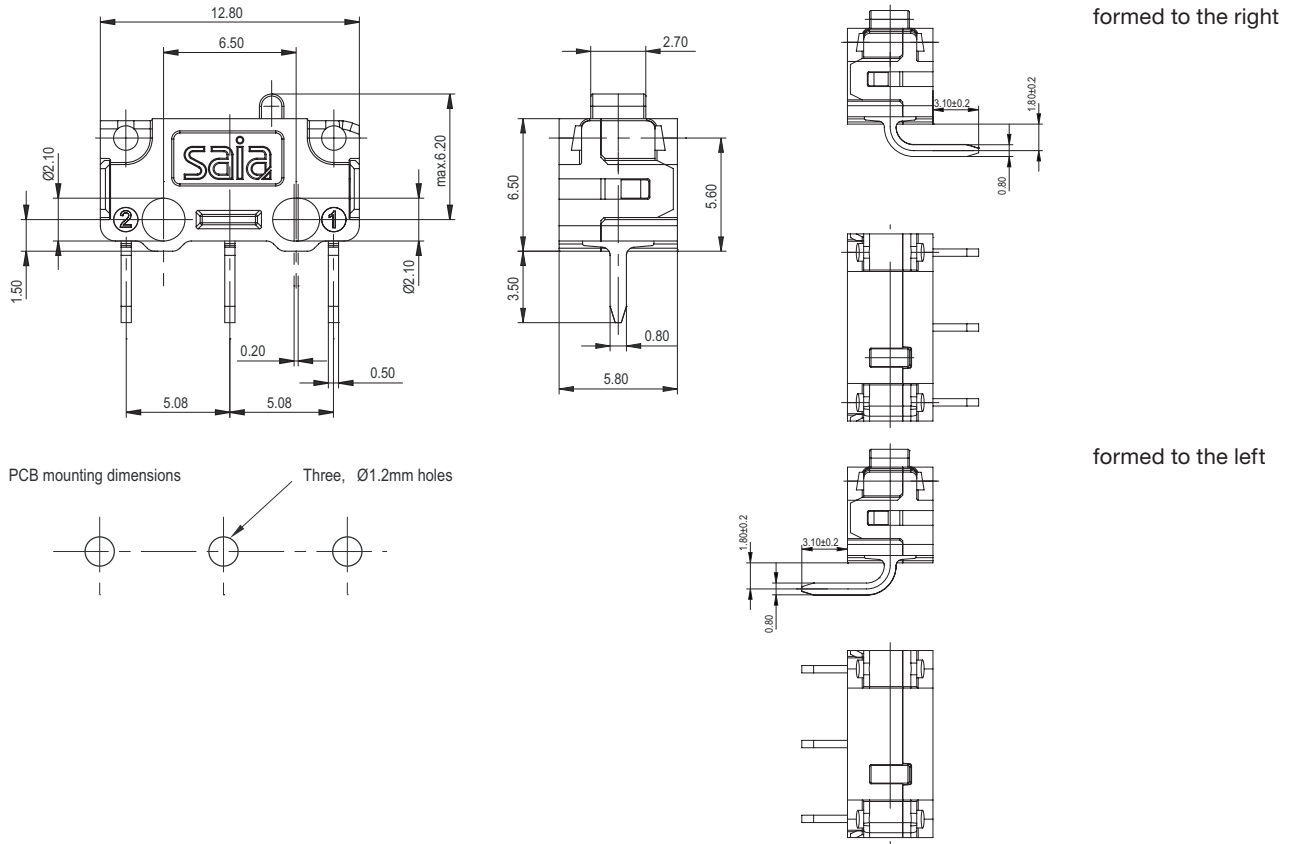
## Specifications

|                      |   |
|----------------------|---|
| Housing              | Flame-retardant glass-fibre reinforced nylon  |
| Plunger              | Polyacetal (POM)  |
| Mechanism            | Snap-action, coil spring mechanism with stainless steel spring. Single-pole change-over contact |
| Contacts             | AgNi  |
| Terminals            | Brass, silver flashed   |
| Temperature range °C | -40°C to +85°C  |
| Mechanical life      | 10 <sup>6</sup> cycles minimum (impact-free actuation)  |
| Protection           | Enclosure IP40  |
| Mounting             | PCB, through hole mounting  |

Circuit diagram



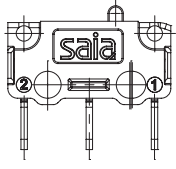
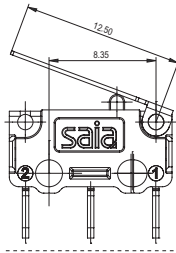
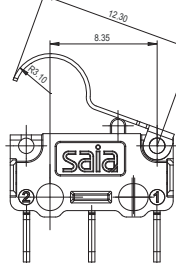
Dimensions



## Recommended maximum electrical ratings

| Voltage (max) | Resistive load (A) | Approvals   |
|---------------|--------------------|---|
| 250 VAC       | 3                  | UL1054/CSA22.2 No. 55, 6,000 operations 60° C                           |
| 250 VAC       | 2                  | EN61058.1 T55 10,000 operations (Normally open or normally closed only) |
| 250 VAC       | 0,5                | EN61058.1 T55 50,000 operations (Change-over)                           |
| 0-15 VDC      | to be advised      | General rating, 50,000 operations                                       |
| 15-30 VDC     | to be advised      | General rating, 50,000 operations                                       |
| 5 VDC         | 0,01               | General rating, 1 million operations                                    |

## Operating Characteristics

| Actuator   | Actuating Force Maximum |       | Release Force Minimum |       | Free Position |      | Operating Position Maximum |              | Movement Differential Maximum |      | Total travel Position * |      |
|--|-------------------------|-------|-----------------------|-------|---------------|------|----------------------------|--------------|-------------------------------|------|-------------------------|------|
|  | (N)                     | (ozf) | (N)                   | (ozf) | (mm)          | (in) | (mm)                       | (in)         | (mm)                          | (in) | (mm)                    | (in) |
| Plunger<br>                         | 1,5                     | 5,4   | 0,2                   | 0,72  | 6,2           | 0,24 | 5,5 ± 0,3                  | 0,22 ± 0,012 | 0,2                           | 0,01 | 5                       | 0,02 |
| J1-Lever<br><br>Width of lever 2,7  | 0,5                     | 1,8   | 0,05                  | 0,18  | 9,6           | 0,38 | 7,2 ± 1,5                  | 0,28 ± 0,06  | 0,8                           | 0,03 | 5,3                     | 0,21 |
| L0-Lever<br><br>Width of lever 2,7 | 0,65                    | 2,34  | 0,1                   | 0,36  | 11,2          | 0,44 | 9,6 ± 1,5                  | 0,38 ± 0,06  | 0,8                           | 0,03 | 8,1                     | 0,32 |

Datum for Free Position and Operating Position: mounting holes.  
\* Flush with case. The case should not be used as an end stop.

## Ordering Reference

|                   |                      |  |  |  |  |  |  |  |  |  |  |  |
|-------------------|----------------------|--|--|--|--|--|--|--|--|--|--|--|
| Basic type        | X6                   | Example: X6   G   3   03   K   1   A/A   J1   1  |  |  |  |  |  |  |  |  |  |  |
| Operating Force   | G                    | Standard 1,5 N   |  |  |  |  |  |  |  |  |  |  |
| Circuit           | 3<br>4<br>5          | Change-over<br>Normally closed<br>Normally open  |  |  |  |  |  |  |  |  |  |  |
| Terminals         | 03<br>09<br>10<br>11 | PCB 0.8 x 0.5 x 3.5<br>PCB 0.8 x 0.5 x 7.1<br>PCB formed to the left<br>PCB formed to the right  |  |  |  |  |  |  |  |  |  |  |
| Case/Lid          | K                    | Flame-retardant glass-fibre reinforced nylon   |  |  |  |  |  |  |  |  |  |  |
| Contact           | 1                    | AgNi   |  |  |  |  |  |  |  |  |  |  |
| Approvals         | A<br>A               | cUL <sub>US</sub><br>ENEC  |  |  |  |  |  |  |  |  |  |  |
| Actuators         | J1<br>L0             | No symbol, without lever<br>Plain lever 12.3 mm<br>Cam follower lever 12.3 mm  |  |  |  |  |  |  |  |  |  |  |
| Actuator position | 2                    | Lever above terminal 1<br>Lever above terminal 2   |  |  |  |  |  |  |  |  |  |  |
| Special Features  | /□□□□                | Saia specialise in customer specific solutions.<br>Additional product variants are available or can be provided.<br>If your requirements cannot be satisfied from the options listed, please contact us. |  |  |  |  |  |  |  |  |  |  |