



- Three axis Hall effect joystick
- 12 bit resolution
- USB interface
- Ergonomic design for left or right hand use
- Six tactile pushbuttons

### SPECIFICATIONS

#### JOYSTICK PERFORMANCE:

- Hall effect three axis joystick
- X/Y/Z for positioning control
- Joystick travel: X/Y axis +/-18°, Z axis +/-40°
- Centering: single spring, omni-directional
- Joystick shaft: stainless steel
- Joystick boot: silicone
- Joystick handle: glass filled nylon

#### PUSHBUTTON PERFORMANCE:

- Six long life tactile switches

#### DESKTOP HOUSING:

- High impact ABS

#### POWER:

- Via the USB interface (5V DC)
- Consumption 100mA

#### APPROVALS:

- EN 55024:1998, EN 55022, CE
- FCC Part 15 Subpart B Class B
- RoHS compliant

#### INTERFACE:

- USB port

#### CONNECTORS:

- USB Type A Male
- Cable Length: 2m; 6ft. 6.8in

#### SYSTEM SUPPORT INTEGRATION:

- Windows 7, Vista, XP, 2000, Windows 8, OSX, Linux

#### SUPPORTED PROTOCOLS:

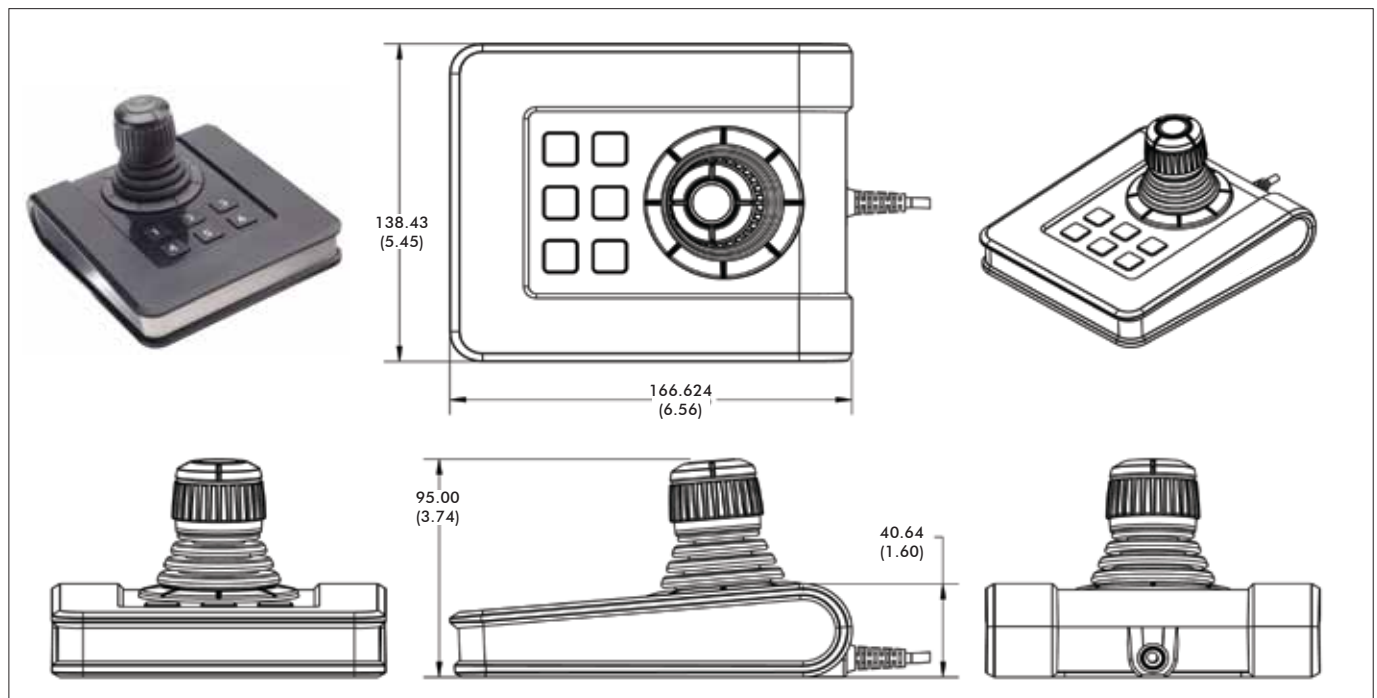
- USB HID 1.1 game controller
- Direct X (Gaming Control)
- Joystick: Three HID axis
- Pushbuttons: 6 HID buttons
- Uses standard DirectX HID drivers
- Connects directly to workstation PC

#### ENVIRONMENTAL:

- For indoor use only

#### OPERATING CONDITIONS:

- - 25°C to +70°C (-13°F to +158°F)



NOTE: All dimensions are in mm/(inch)