

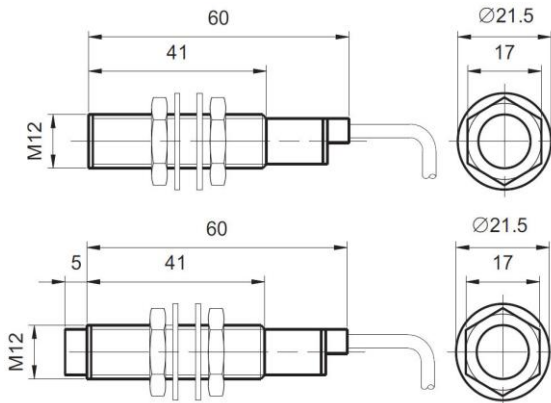
INDUCTIVE PROXIMITY SENSOR



Italsensor S.r.L.
Via Ferrua 1 ("Z.I. La Porporata")
Pinerolo (TO), 10064, ITALY
Tel. +39.0121.502292
www.italsensor.com
info@italsensor.com

Family model

IS-LM12



Flush Shielded	Detection distance			2mm
	DC: 6÷36V	NPN	NO	IS-LM12-3002NA
NC			IS-LM12-3002NB	
NO+NC			IS-LM12-3002NC	
PNP		NO	IS-LM12-3002PA	
		NC	IS-LM12-3002PB	
		NO+NC	IS-LM12-3002PC	
Two wire system		NO	IS-LM12-3002LA	
		NC	IS-LM12-3002LB	
		Relay output		
AC: 90÷250V	SCR Control label silicon	NO	IS-LM12-2002A	
		NC	IS-LM12-2002B	
		NO+NC		
Relay output				
Non-flush Not shielded	Detection distance			4mm
	DC: 6÷36V	NPN	NO	IS-LM12-3004NA
NC			IS-LM12-3004NB	
NO+NC			IS-LM12-3004NC	
PNP		NO	IS-LM12-3004PA	
		NC	IS-LM12-3004PB	
		NO+NC	IS-LM12-3004PC	
Two wire system		NO	IS-LM12-3004LA	
		NC	IS-LM12-3004LB	
		Relay output		
AC: 90÷250V	SCR Control label silicon	NO	IS-LM12-2004A	
		NC	IS-LM12-2004B	
		NO+NC		
Relay output				
Output current	DC		200mA	
	SCR/Relay		300mA	
Output voltage drop DC/AC			DC(NPN, PNP)<3V, Two-wires<3.9V AC<10V	
Current consumption			DC (NPN, PNP) 12V@8mA, 24V@15mA, AC<10mA	
Standard detected object			15×15×1 mm (A3 iron)	
Repeatability			0,01	
DC/AC Response frequency			400Hz/25Hz	
Working temperature			-25°C ÷ 75°C	
Insulation resistance			≥50MΩ	
Housing material			Metal	
Protection grade			IP67	