

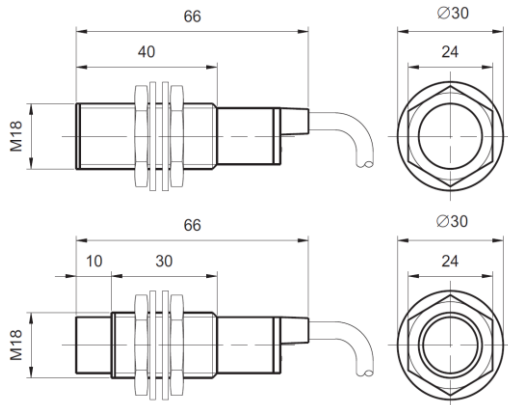
## INDUCTIVE PROXIMITY SENSOR



Italsensor S.r.L.  
Via Ferrua 1 ("Z.I. La Porporata")  
Pinerolo (TO), 10064, ITALY  
Tel. +39.0121.502292  
www.italsensor.com  
info@italsensor.com

### Family model

### IS-LM18



		Detection distance		5mm
		DC: 6÷36V	NPN	IS-LM18-3005NA IS-LM18-3005NB IS-LM18-3005NC
<b>Flush Shielded</b>	<b>DC: 6÷36V</b>	<b>NPN</b>	NO	IS-LM18-3005PA
			NC	IS-LM18-3005PB
			NO+NC	IS-LM18-3005PC
		<b>PNP</b>	NO	IS-LM18-3005LA
			NC	IS-LM18-3005LB
			NO+NC	
	<b>AC: 90÷250V</b>	<b>SCR Control label silicon</b>	NO	IS-LM18-2005A
			NC	IS-LM18-2005B
			NO+NC	IS-LM18-2005C
		Relay output		
<b>Non-Flush Not shielded</b>	<b>DC: 6÷36V</b>	<b>NPN</b>	NO	IS-LM18-3008NA
			NC	IS-LM18-3008NB
			NO+NC	IS-LM18-3008NC
		<b>PNP</b>	NO	IS-LM18-3008PA
			NC	IS-LM18-3008PB
			NO+NC	IS-LM18-3008PC
	<b>AC: 90÷250V</b>	<b>SCR Control label silicon</b>	NO	IS-LM18-3008LA
			NC	IS-LM18-3008LB
			NO+NC	
		Relay output		
Output current		DC		200mA
		SCR/Relay		300mA
Output voltage drop DC/AC		DC(NPN, PNP)<3V, Two-wires<3.9V AC<10V		
Current consumption		DC (NPN, PNP) 12V@8mA, 24V@15mA, AC<10mA		
Standard detected object		18×18×1 mm (A3 iron)		
Repeatability		0,02		
DC/AC Response frequency		200Hz/25Hz		
Working temperature		-25°C ÷ 75°C		
Insulation resistance		≥50MΩ		
Housing material		Metal		
Protection grade		IP67		