

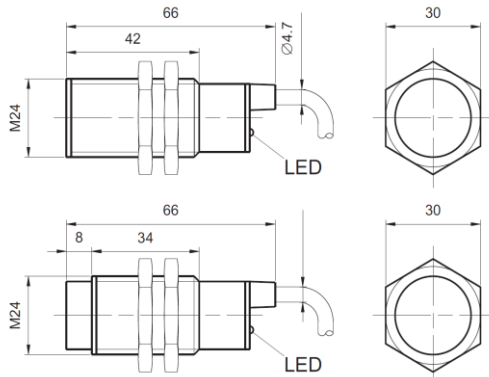
INDUCTIVE PROXIMITY SENSOR



Italsensor S.r.L.
Via Ferrua 1 ("Z.I. La Porporata")
Pinerolo (TO), 10064, ITALY
Tel. +39.0121.502292
www.italsensor.com
info@italsensor.com

Family model

IS-LM24



		Detection distance			8mm
Flush Shielded	DC: 6÷36V	NPN	NO	IS-LM24-3008NA	
			NC	IS-LM24-3008NB	
			NO+NC	IS-LM24-3008NC	
		PNP	NO	IS-LM24-3008PA	
			NC	IS-LM24-3008PB	
			NO+NC	IS-LM24-3008PC	
	AC: 90÷250V	SCR Control label silicon	NO	IS-LM24-2008A	
			NC	IS-LM24-2008B	
			NO+NC	IS-LM24-2008C	
		Relay output			
		Detection distance			10mm
Non-flush Not shielded	DC: 6÷36V	NPN	NO	IS-LM24-3010NA	
			NC	IS-LM24-3010NB	
			NO+NC	IS-LM24-3010NC	
		PNP	NO	IS-LM24-3010PA	
			NC	IS-LM24-3010PB	
			NO+NC	IS-LM24-3010PC	
	AC: 90÷250V	SCR Control label silicon	NO	IS-LM24-2010A	
			NC	IS-LM24-2010B	
			NO+NC	IS-LM24-2010C	
		Relay output			
Output current		DC	200mA		
		SCR/Relay	300mA		
Output voltage drop DC/AC		DC(NPN, PNP)<3V, Two-wires<3.9V AC<10V			
Current consumption		DC (NPN, PNP) 12V@8mA, 24V@15mA, AC<10mA			
Standard detected object		30×30×1 mm (A3 iron)			
Repeatability		0,05			
DC/AC Response frequency		200Hz/25Hz			
Working temperature		-25°C ÷ 75°C			
Insulation resistance		≥50MΩ			
Housing material		Metal			
Protection grade		IP67			