

# 1500 series

Toggle switches • insulated lever and bushing



## DISTINCTIVE FEATURES

UL approved

Variety of actuator styles and colors

2 and 3 maintained positions



## ELECTRICAL SPECIFICATIONS

- Max. current/voltage rating with resistive load :  
5 A 12 VDC (10,000 cycles)
- Initial contact resistance : 10 mΩ max.
- Insulation resistance : 1,000 MΩ min. at 500 VDC
- Dielectric strength : 2,000 Vrms 50 Hz min. between terminals and between terminals and metal panel



## GENERAL SPECIFICATIONS

- Torque : 0.95 Nm (0.700 Ft.lb) max. applied to nut
- Panel thickness : 4.5 mm (.177) between 2 nuts
- Operating temperature : -20 °C to +55 °C (-4 °F to +131 °F)



## MATERIALS

- Case : polyamide
- Actuator : polyamide
- Bushing : polyamide
- Contacts : silver

## AGENCY APPROVAL



6 A 125 VAC/250 VAC

Availability : all models.

Marking : to order switches marked UL, complete appropriate box of ordering format.

The company reserves the right to change specifications without notice.

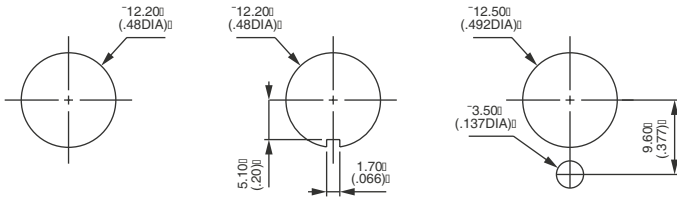


# 1500 series

Toggle switches • insulated lever and bushing

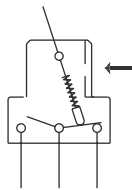


## PANEL CUT-OUT

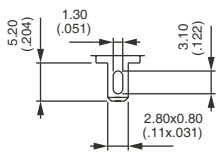


## ELECTRICAL FUNCTIONS

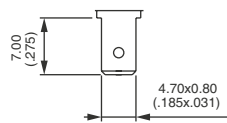
→ KEYWAY



## TERMINALS



Solder lug



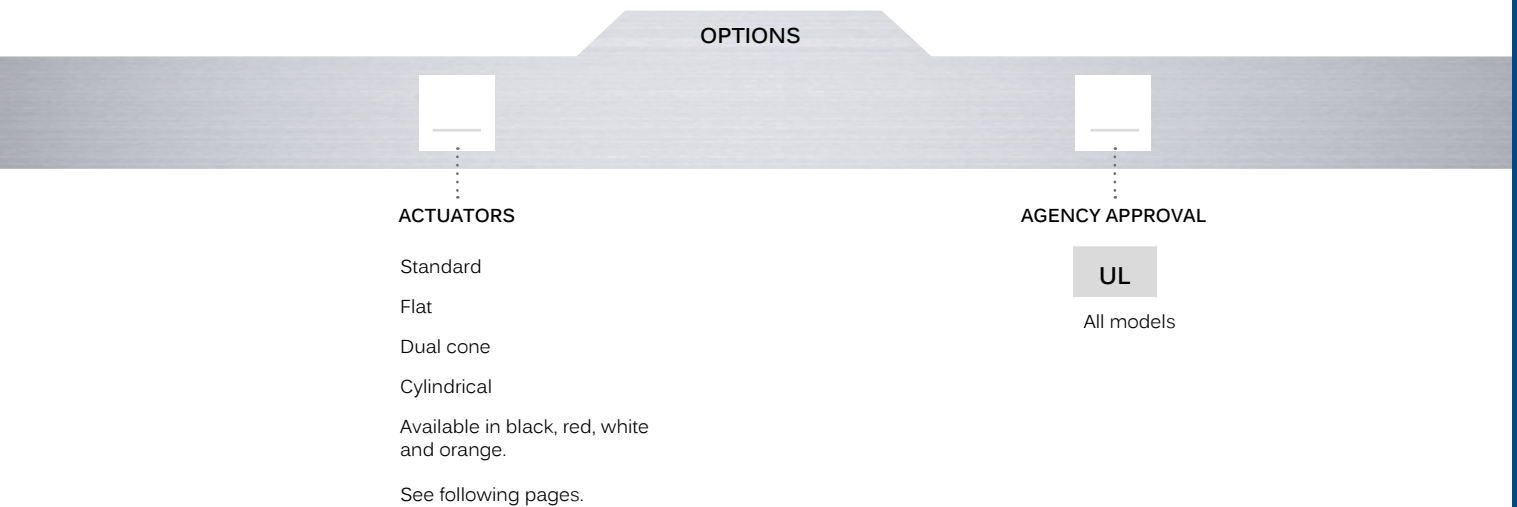
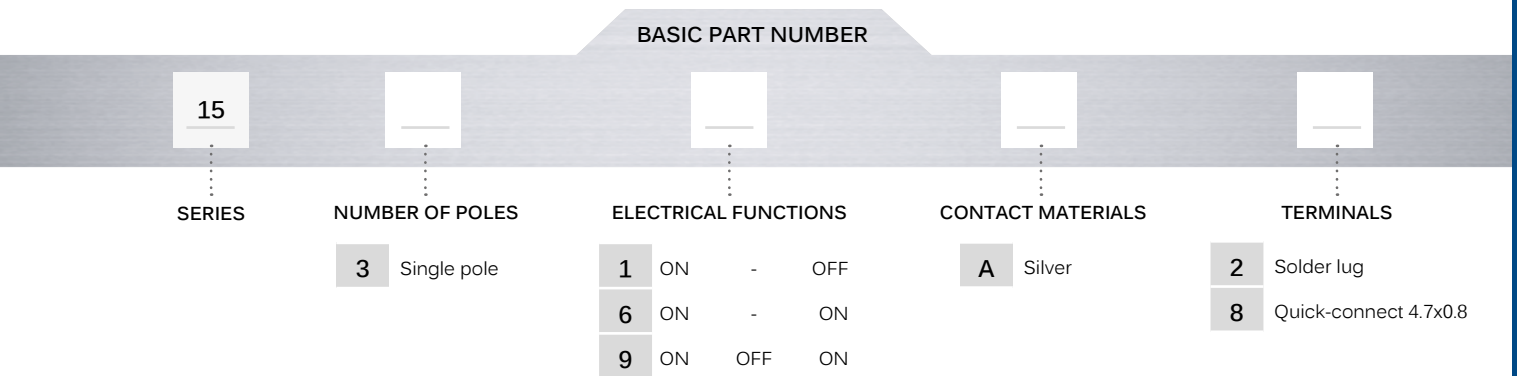
Quick-connect

# 1500 series

Toggle switches • insulated lever and bushing



## BUILD YOUR PART NUMBER



## ABOUT THIS SERIES

On the following pages, you will find successively basic part numbers of switches and options in the same order as in above chart.

- Sealing boots** are available to protect the switches against dust and water. See "Sealing Boots" section of website.
- Mounting accessories** : standard hardware supplied with all models : 1 hex nut U166 and 1 knurled nut U411. Standard and special hardware available is presented in the "Hardware" section of website.

# 1500 series

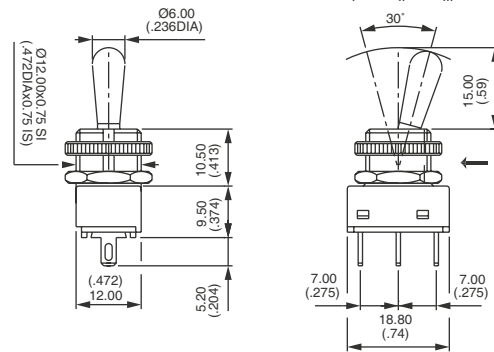
Toggle switches • insulated lever and bushing

## SINGLE POLE - SOLDER LUG TERMINALS



	I	II	III
1531A2	ON	-	OFF
1536A2	ON	-	ON
1539A2	ON	OFF	ON

→ KEYWAY

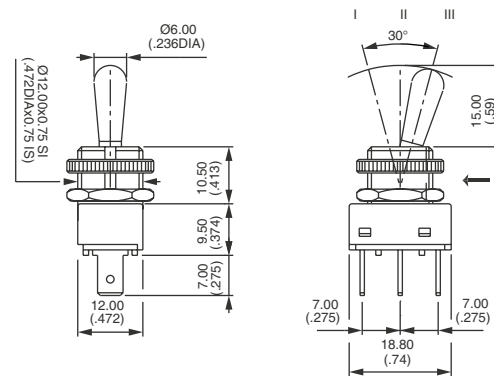


## SINGLE POLE - QUICK-CONNECT TERMINALS 4.7 X 0.8



	I	II	III
1531A8	ON	-	OFF
1536A8	ON	-	ON
1539A8	ON	OFF	ON

→ KEYWAY



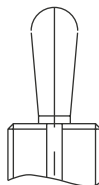
## ACTUATORS

BASIC P/N



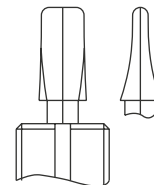
### STANDARD

- L12 Black
- L16 Red
- L17 White
- L19 Orange
- L1N Brass, nickel plated



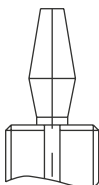
### FLAT

- L22 Black
- L26 Red
- L27 White
- L29 Orange



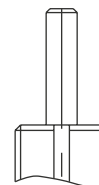
### DUAL CONE

- L32 Black
- L36 Red
- L37 White
- L39 Orange



### CYLINDRICAL

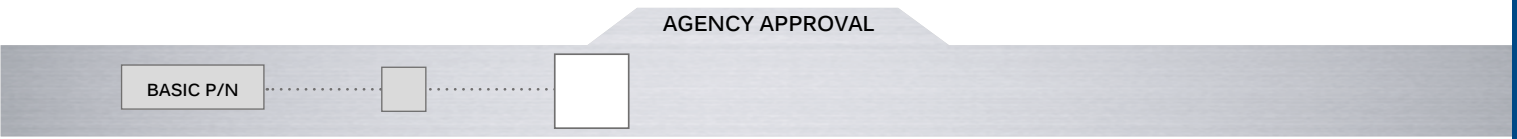
- L42 Black
- L46 Red
- L47 White
- L49 Orange



All in polyamide, except L1N.

# 1500 series

Toggle switches • insulated lever and bushing



UL

**Availability :** all models

**Marking :** to order switches marked UL, complete above box with desired approvals.