

55000 series

VDE approved miniature toggle switches •
threaded or plain bushing



DISTINCTIVE FEATURES

VDE marked as standard

UL and CSA approvals also available

Single and double pole configurations



ELECTRICAL SPECIFICATIONS

- Class I (normal insulation)
- Small contact opening : μ (< 3 mm (.118))
- Current/voltage rating with resistive load : 3 A 250 VAC - 6 A 125 VAC
- Dielectric strength :
2,000 Vrms 50 Hz min. between poles and between terminals and frame
1,000 Vrms 50 Hz min. between terminals
- Special case for increased creepage distance and air gap : 3 mm (.118)



GENERAL SPECIFICATIONS

- Insulating cap, compulsory, supplied glued on the lever :
U270 for models 55600A, 55200A and 55200ZA
U1040 for models 55200WA and 55200WA X433
- Ground connector : U721 compulsory if the panel is not metallic or not connected to ground
- Epoxy sealed terminals standard



MATERIALS

- Contacts : silver
- Case : diallylphthalate (DAP)
- Actuator : brass, chrome plated with insulating vinyl cap
- Bushing : brass, nickel plated
- Housing : stainless steel
- Terminal seal : epoxy

FURTHER SPECIFICATIONS : see 5000 series.

The company reserves the right to change specifications without notice.



55000 series

VDE approved miniature toggle switches • threaded or plain bushing

AGENCY APPROVALS



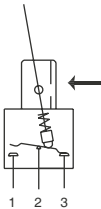
EN 61058-1

Complete appropriate box of ordering format.

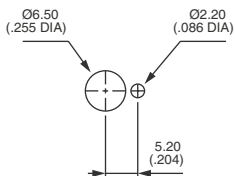


ELECTRICAL FUNCTIONS

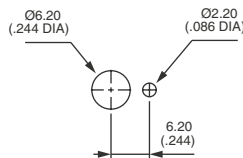
→ KEYWAY



PANEL CUT-OUT



Bushing Ø 6.35 (1/4)



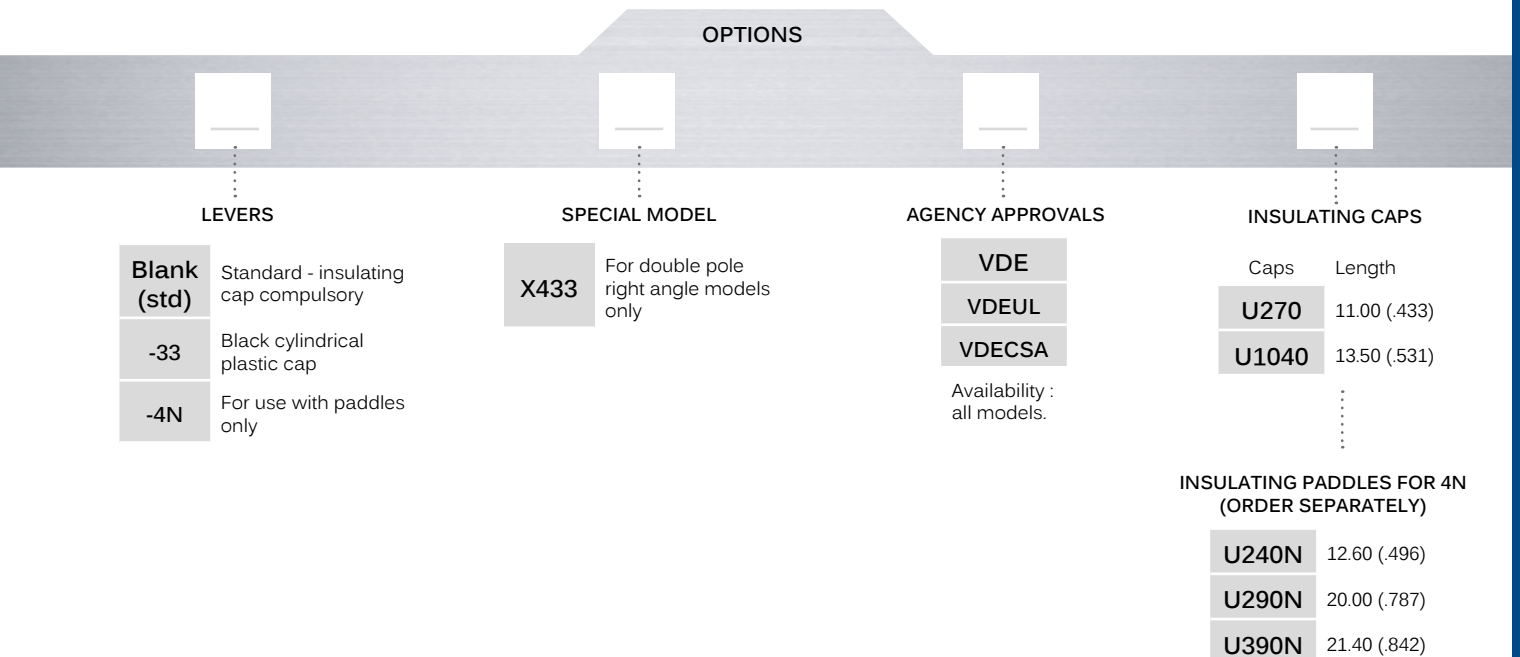
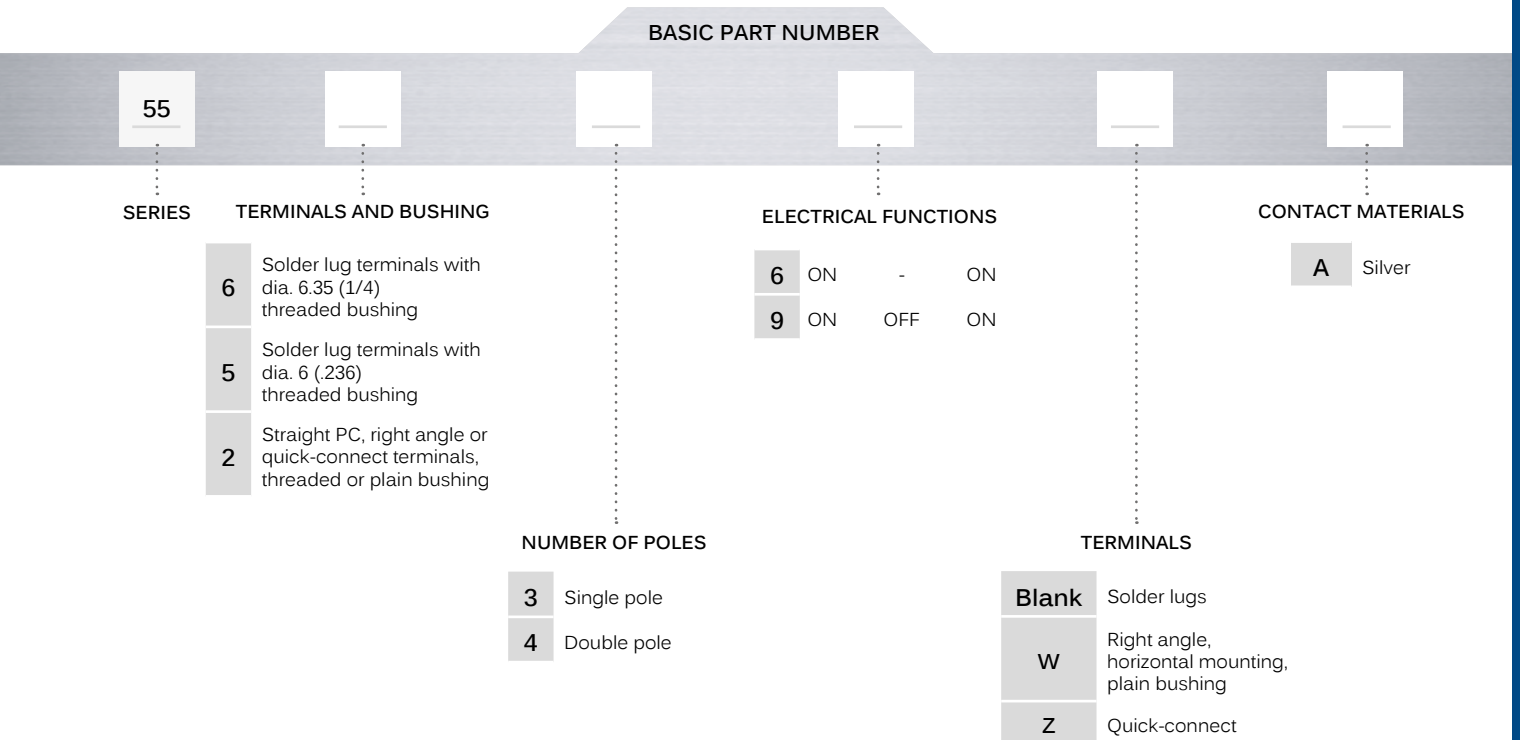
Bushing Ø 6 (.236)

55000 series

VDE approved miniature toggle switches • threaded or plain bushing



BUILD YOUR PART NUMBER



ABOUT THIS SERIES

On the following pages, you will find successively basic part numbers of switches and options in the same order as in above chart.

- Notice:** please note that not all combinations of above numbers are available. Refer to the following pages for further information.
- Mounting accessories:** standard hardware supplied with all threaded bushing models : 2 hex nuts 8 mm (.314) across flats, 1 locking ring and 1 lockwasher. Standard and special hardware is presented in the "Hardware" section of website.



ERMEC, S.L. BARCELONA
C/ Francesc Teixidó, 22
08918 Badalona SPAIN

Tel. +34 902 450 160
info@ermec.com
www.ermec.com

ERMEC, S.L. - MADRID
C/ Puerto Rico, 4
28222 Majadahonda (Madrid) SPAIN

bilbao@ermec.com
portugal@ermec.com

55000 series

VDE approved miniature toggle switches • threaded or plain bushing

THREADED BUSHING SOLDER LUG TERMINALS



	III	II	I	
Single pole	2-3		1-2	
Double pole	5-6		4-5	
55636A	55646A	ON	-	ON
55639A	55649A	ON	OFF	ON

Also available with Ø 6 mm (.236) bushing : **55500**.

THREADED BUSHING STRAIGHT PC TERMINALS



	III	II	I	
Single pole	2-3		1-2	
Double pole	5-6		4-5	
55236A	55246A	ON	-	ON
55239A	55249A	ON	OFF	ON

Also available with Ø 6 mm (.236) bushing : **55100**.

PLAIN BUSHING RIGHT ANGLE TERMINALS - HORIZONTAL



	III	II	I	
Single pole	2-3		1-2	
Double pole*	5-6		4-5	
55236WA	55246WA X433	ON	-	ON
55239WA	55249WA X433	ON	OFF	ON

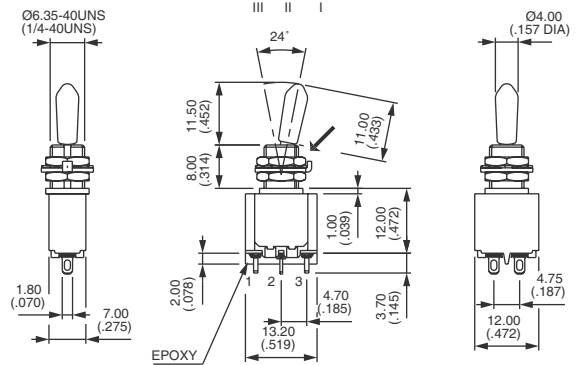
* In double pole W models, spacing between poles on PCB is different from standard : 4,7 mm (.185) instead of 3,81 mm (.150)
Also available for VERTICAL mounting (on request).

THREADED BUSHING QUICK-CONNECT TERMINALS

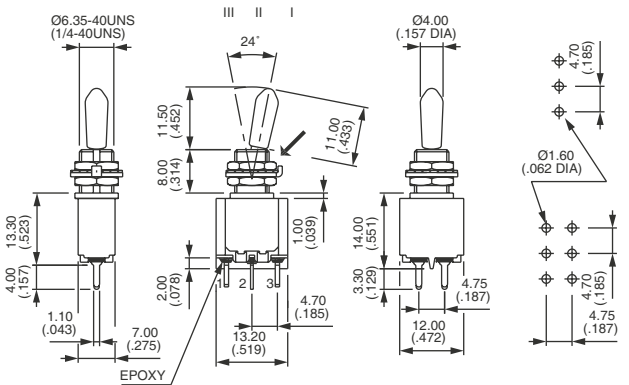


	III	II	I
Single pole	2-3		1-2
	5-6		4-5
55236ZA	ON	-	ON
55239ZA	ON	OFF	ON

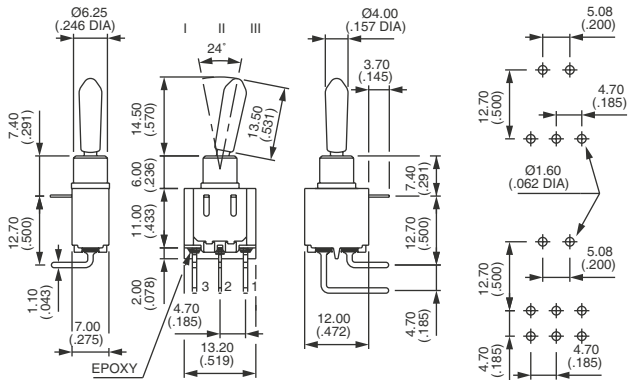
KEYWAY



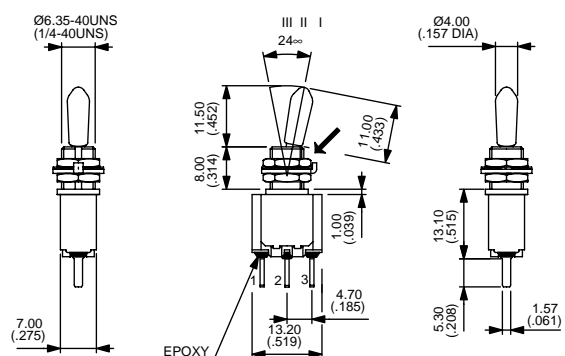
KEYWAY



KEYWAY



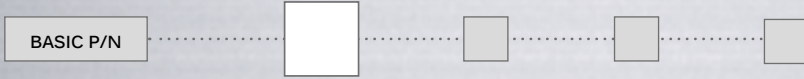
KEYWAY



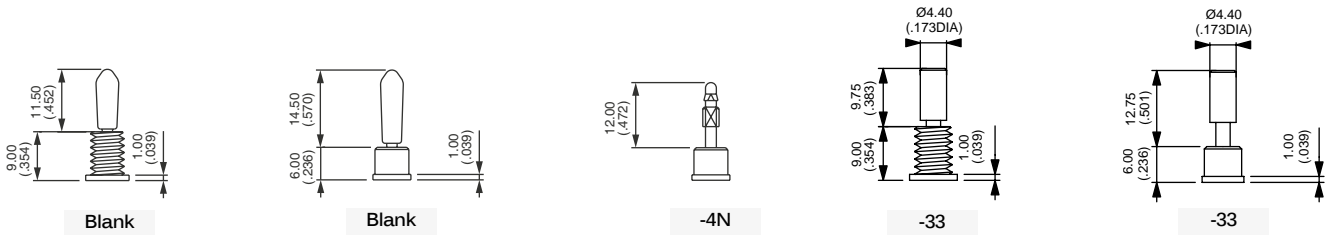
55000 series

VDE approved miniature toggle switches • threaded or plain bushing

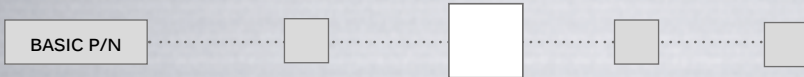
LEVERS



- Blank** For threaded bushing models - Cap U270 compulsory
- Blank** For plain bushing models - Cap U1040 compulsory
- 4N** For use with paddles only
- 33** Black cylindrical plastic cap - For threaded bushing models
- 33** Black cylindrical plastic cap - For plain bushing models

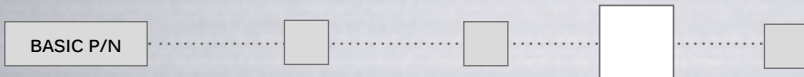


SPECIAL MODEL



X433 For double pole right angle models only.

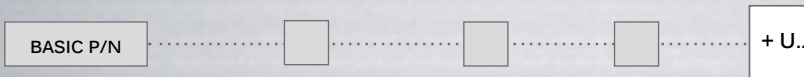
AGENCY APPROVALS



VDE
VDEUL
VDEULCSA

Complete above box with desired approvals.

INSULATING CAPS

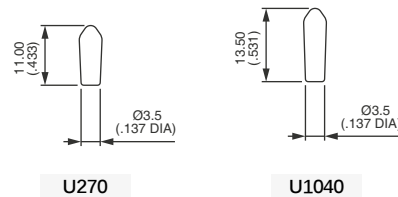


Compulsory - delivered assembled on the lever

- U270** For threaded bushing models
- U1040** For plain bushing models

For cap colors, replace "0" with number :

- 1 Blue
- 1/4 Dark blue
- 2 Black
- 3 Green
- 4 Grey
- 5 Yellow
- 7/1 White
- 9 Orange

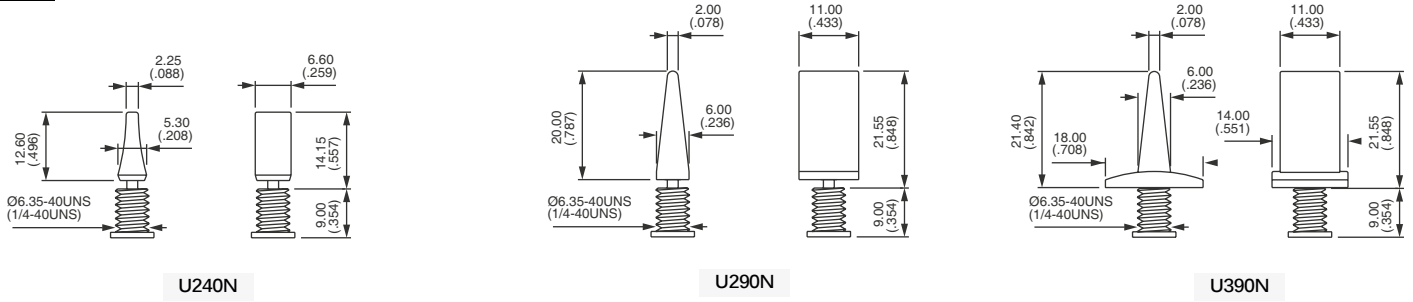


55000 series

VDE approved miniature toggle switches • threaded or plain bushing

PADDLES

For use with lever 4N only. Shown with standard threaded bushing. Order separately.

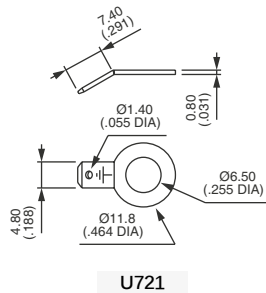


For cap colors, replace «0» with number :

- 1 Blue
- 1/4 Dark blue
- 2 Black
- 3 Green
- 4 Grey
- 5 Yellow
- 6 Red
- 7 Ivory
- 7/1 White
- 9 Orange

GROUND CONNECTOR

IMPORTANT : compulsory on models with threaded bushing if the panel is not metallic or not connected to ground. Order separately.



U721