



APEM

NEW PRODUCT



KP6 SERIES

A WORLD OF
SWITCHING CAPABILITIES

PANEL SWITCHES

PCB SWITCHES

JOYSTICKS

SWITCH PANELS

LED INDICATORS

New!

KP6 series

CANbus keypad with 6 customizable keys

Distinctive features and specifications



- CANbus version
- Up to 3 dimmable LED indicators per key + backlit legends
- 1 million cycles
- Snap-in mounting
- Flush to panel

ENVIRONMENTAL SPECIFICATIONS

- Front panel component sealing : IP65 according to IEC 60529
- Shock resistance : 3 sinusoidal impulse 300m/s² 18ms on 3 axis according to IEC 60068-2-27
- Vibrations : 8 h ; 10-350 Hz - power spectral density from 0,005 to 0,002 G²/Hz 10-500 Hz - 5 g according to IEC 60068-2-64 and IEC 60068-2-6
- Acceleration : 20m/s² 10 Hz-2000 Hz according to IEC 60068-2-6
- Salt spray : IEC 68-2-11 test Ka 35°C 96 h
- Operating temperature : -30°C / +70°C
- Storage temperature : -40°C / +85°C
- UV resistance : 750h NF-EN-ISO4892-2 method A cycle 1
- **High CAN option** : compliant with vehicle European Standard for electromagnetic compatibility (ESD/EMC/EMI) - E/ECE/324/Add.9/rev.5 E1 Marking

MATERIALS

- Keypad : silicone
- Case : PA66

EXTRA FEATURES AVAILABLE ON REQUEST

- CANopen
- Special illumination
- Phantom marking
- Hard caps
- Special key colors
- Extra protective coating
- Full IP65 panel sealing

ELECTRICAL SPECIFICATIONS

- CANbus : J1939
- Nominal supply voltage : 12V-24VDC
- Output voltage : 0,5V - 4,5V
- Typical current consumption : 10mA with no LED ON and 200mA with all LEDs ON
- Outputs : TYCO MQS 6 pin connector (ref. 953363-1)
- **High CAN option** :
Operating supply voltage with voltage regulation : 9V-36VDC
Max. overvoltage with voltage regulation : 43VDC

E1 MARKING (PENDING)



For High CAN option

MECHANICAL SPECIFICATIONS

- Life : 1 million cycles per key
- Operating force : 7 N ± 2 N
- Travel : 0,7 mm ± 0,2 mm
- Panel thickness : 1,75 mm ± 0,25 mm

Dimensions : First dimensions are in mm while inches are shown as bracketed numbers.



ERMEC, S.L. BARCELONA
C/ Francisc Teixidó, 22
08918 Badalona
(España)

Tel.: (+34) 902 450 160
Fax: (+34) 902 433 088
info@ermec.com
www.ermec.com

ERMEC, S.L. MADRID
c/Mejorada, 17,1ªPl. Of.D4
28850 Torrejón de Ardoz
(España)

PORTUGAL
portugal@ermec.com

BILBAO
bilbao@ermec.com

KP6 series

New!

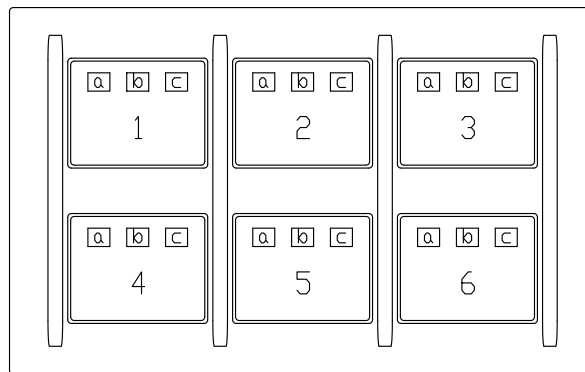
CANbus keypad with 6 customizable keys

Overview

Series KP6 6-key keypad	Key style E Elastomeric	Output 1 6-pin MQS connector	Sealing N Standard	Communication protocol J CANbus J1939	Electronic configuration 1 Basic CAN 3 High CAN	Legend backlighting X No W White

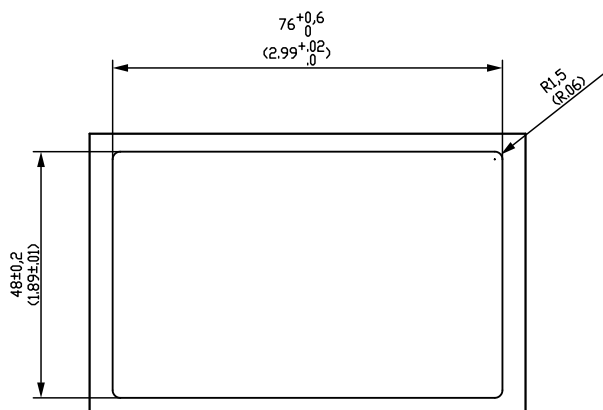
Marking orientation N North O West	Indicator color X No LED W White B Blue R Red G Green	Key 1 X No LED 1 LED at center 3 3 LEDs	Key 2 X No LED 1 LED at center 3 3 LEDs	Key 3 X No LED 1 LED at center 3 3 LEDs	Key 4 X No LED 1 LED at center 3 3 LEDs	Key 5 X No LED 1 LED at center 3 3 LEDs	Key 6 X No LED 1 LED at center 3 3 LEDs

KEY MATRIX



Symbols to be specified by customer.

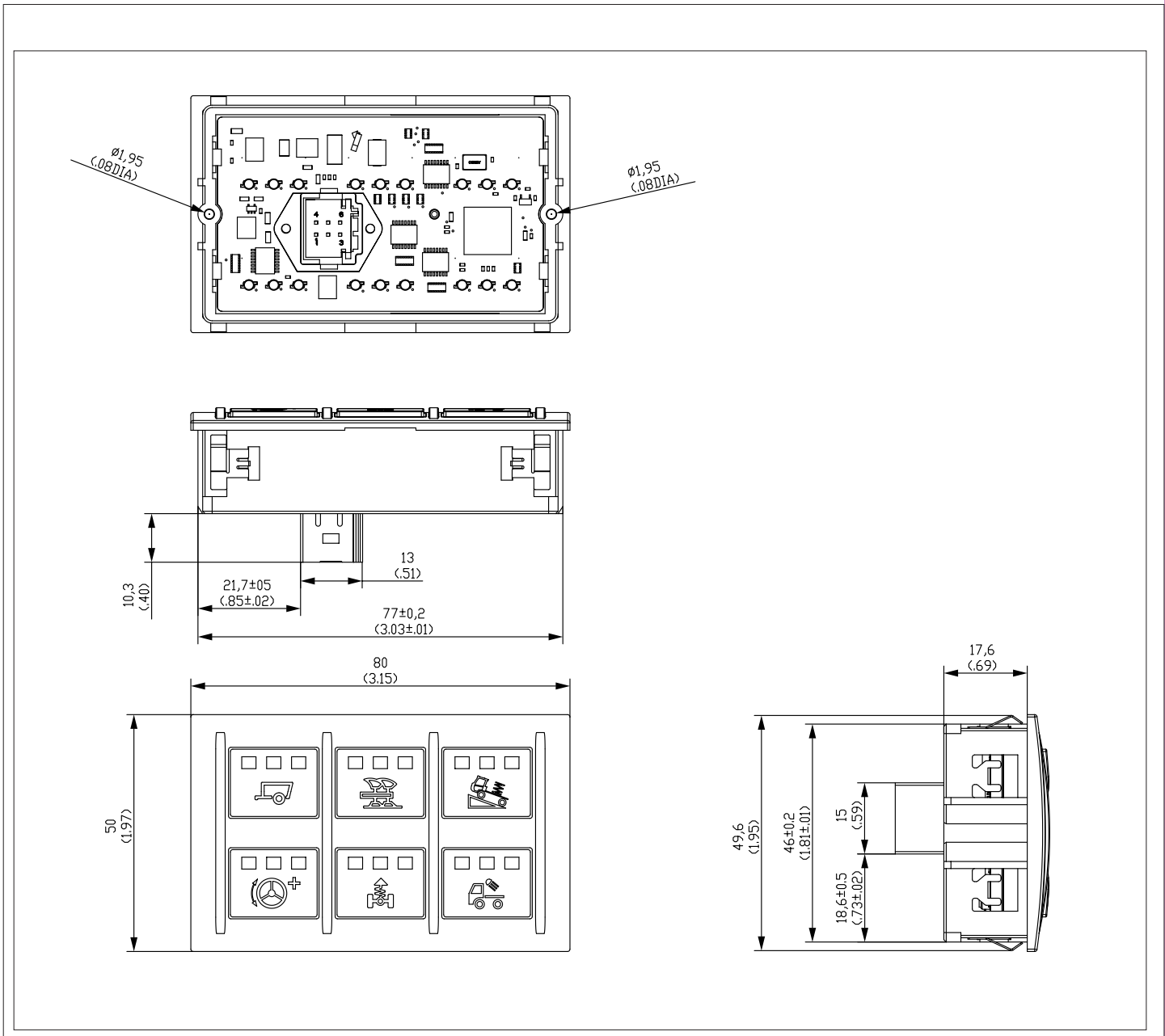
PANEL CUT-OUT



New!

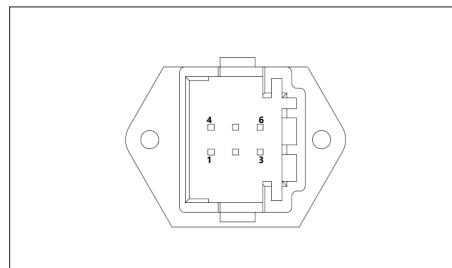
KP6 series

CANbus keypad with 6 customizable keys



CONNECTIONS

Pin	Function
1	High CAN
2	Low CAN
3	Ground
4	Ignition On/Switching power
5	Constant power / VBAT
6	Not connected



KP6CAN1612-A-DEF



ERMEC, S.L. BARCELONA
C/ Francisc Teixidó, 22
08918 Badalona
(España)

Tel.: (+34) 902 450 160
Fax: (+34) 902 433 088
info@ermec.com
www.ermec.com

ERMEC, S.L. MADRID
c/Mejorada, 17,1ªPl. Of.D4
28850 Torrejón de Ardoz
(España)

PORTUGAL
portugal@ermec.com

BILBAO
bilbao@ermec.com