

## Characteristics:

- Highest intrinsic safety
- Lowest operation current
- Highest resistance against dust in gas grid

## Specifications:

ATEX classification:	II 3G EX ic IIB T3
Resistance to gas and vapour:	EN 1359: 2007
Electrical safety:	EN 60079-0: 2014-06; EN 60079-11: 2012-06
Operating temperature:	-10°C ... +55°C
Storage temperature:	-25°C ... +70°C
Life time:	≤ 10 years
Thermal class:	130 (B) , DIN EN 60085: 2005
RoHS:	2002/95/EC
Weight:	28 g
Installation:	Inlet side
Type:	GMLC - Compact Linear Shut-off Valve GMLS - Compact Linear Shut-off Valve with Sensor GMLI - Compact Linear Shut-off Valve with Sensor and Integrated Electronics



## Performance Data:

### General

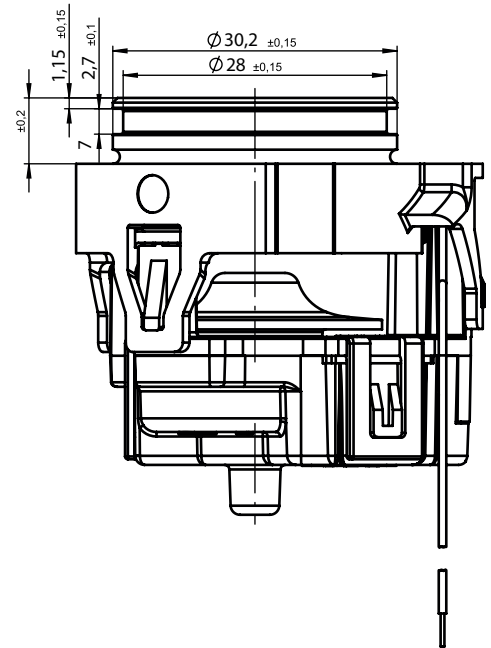
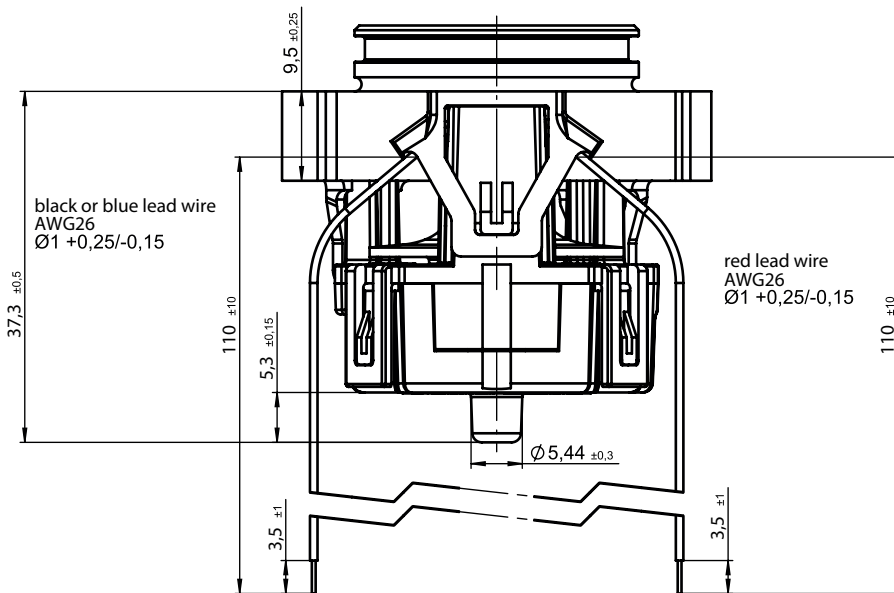
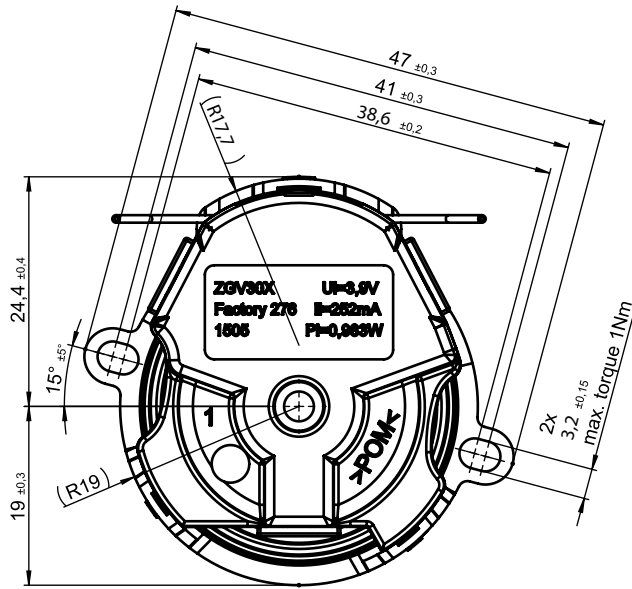
Operating pressure:	3 kPa
Maximum pressure:	10.0 kPa
External leakage (20°C):	< 1l at 7.5 kPa, < 5l at maximum pressure
Flow rate:	≤ 4 m <sup>3</sup> / h (for G1.6 and G2.5 meters)
Pressure drop:	< 50 Pa at 4 m <sup>3</sup> / h, 10 kPa
Closing speed:	< 8 sec. at 3.6 V

### Electrical

Nominal voltage:	2.8 V ... 3.6 V
Winding resistance:	21 Ohm ±10%
Inductance:	< 2.2 mH at 1000 Hz sine wave, 0.25 V
Energy consumption:	≤ 1 Ws at nominal voltage (closing cycle)

Disclaimer: Data sheet for reference only. All data and specifications are subject to change without notice to improve reliability, function, design or otherwise. For a detailed specification and specific application support please contact your local Johnson Electric sales office.

## GML Dimensions



Disclaimer: Data sheet for reference only. All data and specifications are subject to change without notice to improve reliability, function, design or otherwise. For a detailed specification and specific application support please contact your local Johnson Electric sales office.