

KB5

Positive action Switches

Double break

KB5

- Characteristics
- Positive-action (forced double break) contacts
 - >3 mm contact gap
 - High electrical rating
 - Faston (quick connect) terminals
 - Safety switch

Rating Up to 250 VAC, 20 A

Dimensions (mm) 41 × 19.5 × 15.5

Actuator Plunger, plain lever, roller lever

Approvals UL and CSA



Preferred Range

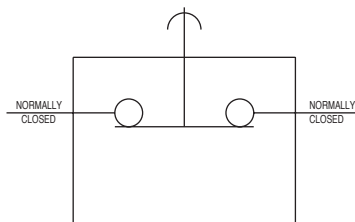
Ordering Reference	Actuating Force (N) (ozf)		Sealing	Operating pos (mm) (in)		Terminal	Circuit	Actuator	Contacts	Electrical rating
KB5FULS	3.00	10.0	IP40	16.8	0.66	Faston	NC	Plunger	Silver/Silver cadmium oxide	Up to 250 VAC, 20 A
KB5FKULS	2.25	8.0	IP40	19.2	0.76	Faston	NC	Plain lever	Silver/Silver cadmium oxide	Up to 250 VAC, 20 A
KB5FKRULS	2.25	8.0	IP40	31.0	1.22	Faston	NC	Roller lever	Silver/Silver cadmium oxide	Up to 250 VAC, 20 A

KB5

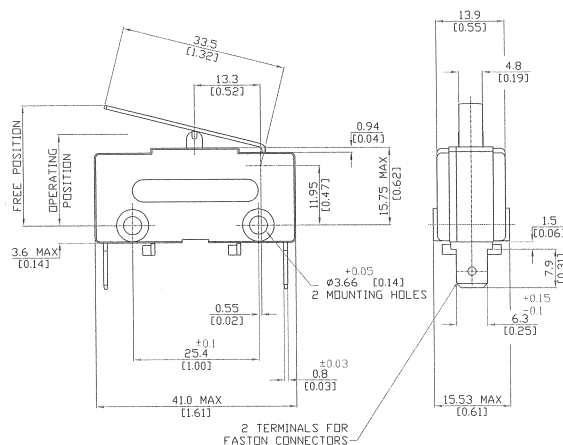
Specifications

Housing	Polycarbonate
Plunger	Nylon
Mechanism	Single pole, double break, positive action
Functions	Normally closed
Contacts	Fixed – silver, Moving – silver cadmium oxide
Terminals	6.3 mm (0.25 in) faston, brass
Temperature range	-40°C to +85°C
Mechanical life	10 ⁷ cycles minimum, impact-free actuation
Protection	IP40
Mounting	Side mounting
Actuators	Plain lever - stainless steel, roller lever - stainless steel, nylon roller
Approvals	UL and CSA

Circuit diagram




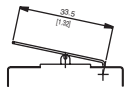
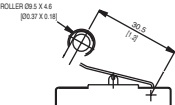
Dimensions



Recommended maximum electrical ratings

Voltage (max)	Resistive load (A)	Inductive load	Horsepower	Approval
250 VAC	20 (0.75 pf)	-	-	ULS 1054/CSA 22.2 No. 55 - 100,000 operations
250 VAC	-	-	2 HP	ULS 1054 - Horsepower - 6,000 operations
125 VAC	-	-	1 HP	ULS 1054 - Horsepower - 6,000 operations
0 - 15 VDC	15	-	-	General rating - 50,000 operations
15 - 30 VDC	10	-	-	General rating - 50,000 operations

Operating Characteristics

Actuator	Reference	Actuating Force		Operation Position		Free Position Maximum		Contact gap at total travel		
		(N)	(ozf)	(mm)	(in)	(mm)	(in)	Minimum (mm)	(in)	
Plunger 	KB5FULS	3,00	10,8	16,8	0,66	19,3	0,76	2 × 3,0	2 × 0,12	
¹ At contact separation of 2 × 1,5 mm										
K Lever 	KB5FKULS	2,25	8,0	19,2	0,76	26,0	1,02	2 × 3,0	2 × 0,12	
KR Lever 	KB5FKRULS	2,25	8,0	31,0	1,22	36,5	1,40	2 × 3,0	2 × 0,12	

Recommended minimum contact separation 2 × 1,5 mm (2 × .06) indicated when groove in plunger lines up with case. Operating characteristics are specified from mounting holes.

Total travel: Plunger can be depressed flush with housing. The housing should not be used as an end stop.

Ordering Reference

Type	KB5	
Switch range	KB5F	
Actuators	No digit	Plain plunger
	K	Plain lever 33.5 mm (1.32 in)
	KR	Roller lever 30.5 mm (1.20 in)
Approvals	ULS	UL and CSA