



ERMEC, S.L. BARCELONA
C/ Francesc Teixidó, 22
E-08918 Badalona
(Spain)

Tel.: (+34) 902 450 160
Fax: (+34) 902 433 088
info@ermec.com
www.ermec.com

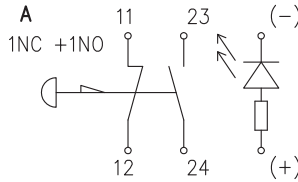
ERMEC, S.L. MADRID
C/ Sagasta, 8, 1ª planta
E-28004 Madrid
(Spain)

PORTUGAL
portugal@ermec.com
BILBAO
bilbao@ermec.com

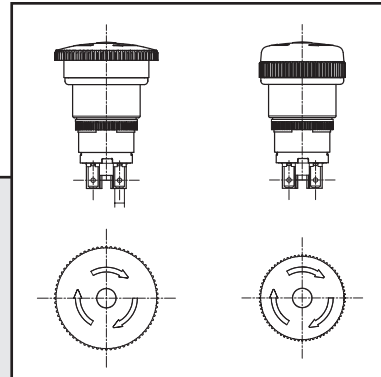
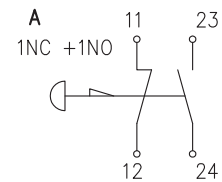
Emergency Stop



Illuminated



Circuit diagram



innovating motion

TE1

Panel cut-out (mm) Ø 16.2 or Ø 22.5 with adapter option

Characteristics

- NC contact with 3 mm contact gap
- < 20 mm behind panel depth
- rotary, reset mechanism
- sealed IP65
- 1NC + 1NO or 2 NC circuits

Rating 250 VAC, 2 A

Dimensions (mm) Ø 25/Ø 30

Button Ø 40/on request

Actuator ■ red mushroom cap

Approvals EN 60947-1, EN 60947-5-1, EN 60947-5-5



Popular products

| Ordering Reference | Panel cut-out (mm) | Function | Actuator size (mm) | Illumination | Environmental protection | Terminals (mm) | Electrical rating |
|--------------------|--------------------|------------------------|--------------------|-----------------|--------------------------|---|-------------------|
| TE180203101 | Ø 16.2 | Rotary reset 1NC + 1NO | Ø 25 | Non illuminated | IP65 | faston 2.8 × 0.5 (switching circuits) | 250 VAC, 2A |
| TE180203102 | Ø 16.2 | Rotary reset 1NC + 1NO | Ø 30 | Non illuminated | IP65 | faston 2.8 × 0.5 (switching circuits) | 250 VAC, 2A |
| TE180203201 | Ø 16.2 | Rotary reset 1NC + 1NO | Ø 25 | Illuminated | IP65 | faston 2.8 × 0.5 (switching circuits) pre wired (illumination circuit) | 250 VAC, 2A |
| TE180203202 | Ø 16.2 | Rotary reset 1NC + 1NO | Ø 30 | Illuminated | IP65 | faston 2.8 × 0.5 (switching circuits) pre wired (illumination circuit) | 250 VAC, 2A |
| TE180204101 | Ø 16.2 | Rotary reset 2NC | Ø 25 | Non illuminated | IP65 | faston 2.8 × 0.5 (switching circuits) | 250 VAC, 2A |
| TE180204102 | Ø 16.2 | Rotary reset 2NC | Ø 30 | Non illuminated | IP65 | faston 2.8 × 0.5 (switching circuits) | 250 VAC, 2A |
| TE180204201 | Ø 16.2 | Rotary reset 2NC | Ø 25 | Illuminated | IP65 | faston 2.8 × 0.5 (switching circuits) pre wired (illumination circuit) | 250 VAC, 2A |
| TE180204202 | Ø 16.2 | Rotary reset 2NC | Ø 30 | Illuminated | IP65 | faston 2.8 × 0.5 (switching circuits) pre wired (illumination circuit) | 250 VAC, 2A |
| TH880200029 | Ø 22.5 | Adapter set | | | | | |

Specifications

| | |
|-----------------------|--|
| Mechanism | Latching positive action |
| Contact gap | ≥3 mm |
| Actuating force | Approximately 30 N |
| Mounting | Central fixing with metal lock nut |
| Protection | IP65 (Pollution degree 3, Overvoltage category III) |
| Illumination | LED 24V dc, 10 mA |
| Temperature range °C | -25°C to +55°C |
| Contact material | Silver nickel with 0.4 µm gold plating |
| Contact resistance | <30 mOhm (new unused product) |
| Contact configuration | 1 NC + 1 NO or 2 NC independent circuits |
| Terminals | Faston 4 × 2.8 mm × 0.5 mm (switching circuits) pre wired (illumination circuit) |

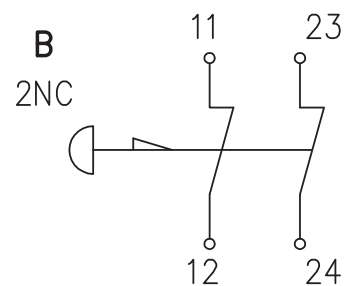
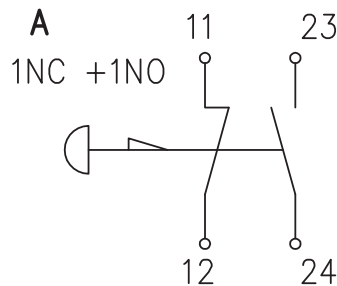
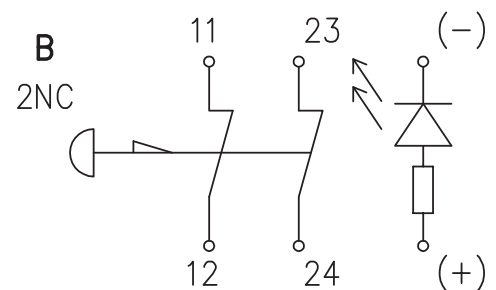
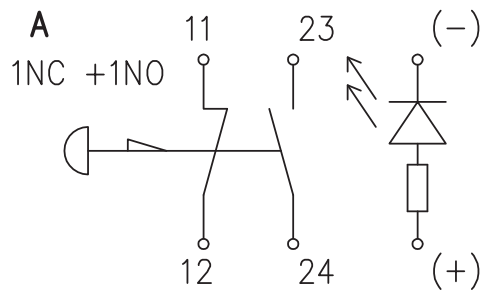
Recommended maximum electrical ratings

| | | |
|---------------|--------------------|----------|
| Voltage (max) | Resistive load (A) | Approval |
| 250 VAC | 2.0 | EN 60947 |

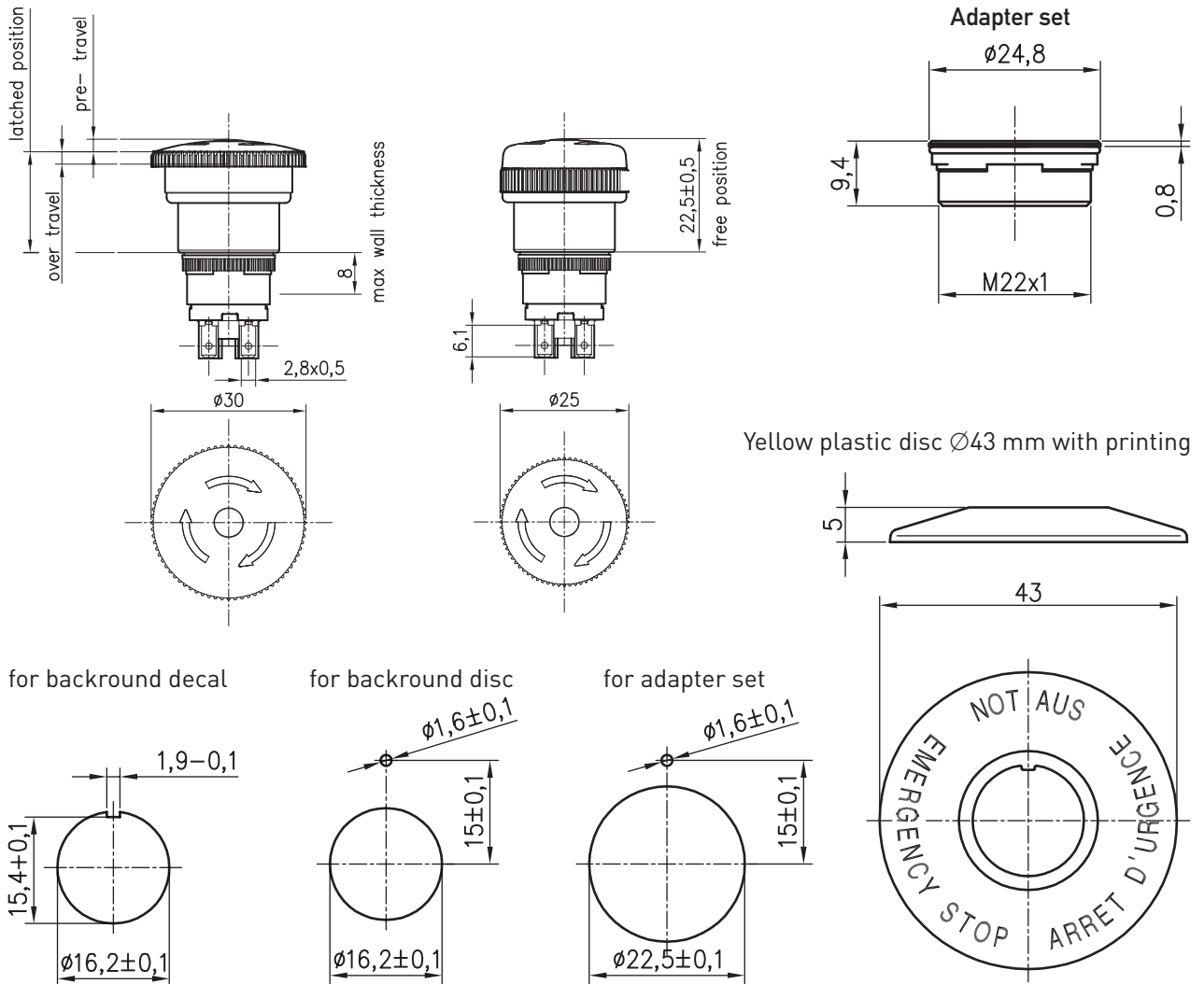
| | |
|-----------------|--------------------------------|
| Electrical life | 6,050 cycles at 2A, 250V, AC15 |
| Mechanical life | 30,000 cycles |

Circuit diagram

Illuminated



Dimensions



Emergency Stop

Ordering Reference

| | | | | |
|-----------------------|--|--|--|--|
| Basic type | TE1 | Example: TE1 80 203 1 01 | | |
| Reset mechanism | 80 Rotary | | | |
| Circuit configuration | 203 1 normally closed and 1 normally open circuit 204 2 normally closed circuits | | | |
| | 1 Non-illuminated 2 Illuminated | | | |
| Actuator style | 01 Ø 25 mm 02 Ø 30 mm | | | |
| Accessories | TH893002000 Yellow plastic disc Ø 43 mm with printing TH893011000 Yellow self-adhesive label Ø 43 mm with printing TH893000000 Yellow plastic adaptor Ø 43 mm with printing TH880200029 Adapter set 22.5 mm | For 16.2 mm panel cut-out For 22.5 mm panel cut-out | For 16.2 mm panel cut-out For 22.5 mm panel cut-out | |