

XD series

Proportional, industrial hand grip controllers •
non-contacting Hall effect technology



DISTINCTIVE FEATURES

- Resists high load 670Nm (400lbf)
- Shallow mounting depth of <60mm
- Rated for 10 million lifecycles
- CANbus J1939 & CANopen



ENVIRONMENTAL SPECIFICATIONS

- Operating Temperature: -40°C to +85°C
- Storage Temperature: -40°C to +85°C
- Above Panel Sealing: Up to IP67/IP69K (subject to handle)
- EMC Immunity Level: EN61000-4-3
- EMC Emissions Level: EN61000-6-3:2001
- ESD: EN61000-4-2 Extended



ELECTRICAL SPECIFICATIONS

- Supply Voltage: Analog: 5.00VDC ±0.25VDC, CAN/CANopen: 6-35VDC
- Reverse Polarity Max: -10V
- Output Impedance: 1100Ω
- Overvoltage max: 20V



MECHANICAL SPECIFICATIONS

- Maximum Horizontal Load: 670Nm (400lbf)
- Mechanical Angle of Movement: 40° ±2°
- Expected Life: 10 million lifecycles
- Lever Action (centering): Spring



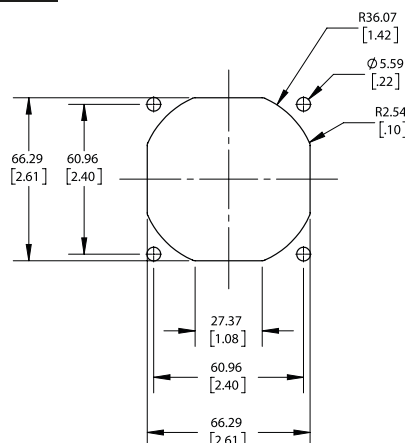
MATERIALS

- Shaft: Stainless steel
- Boot: Silicone
- Handles: Depends on handle

The company reserves the right to change specifications without notice.



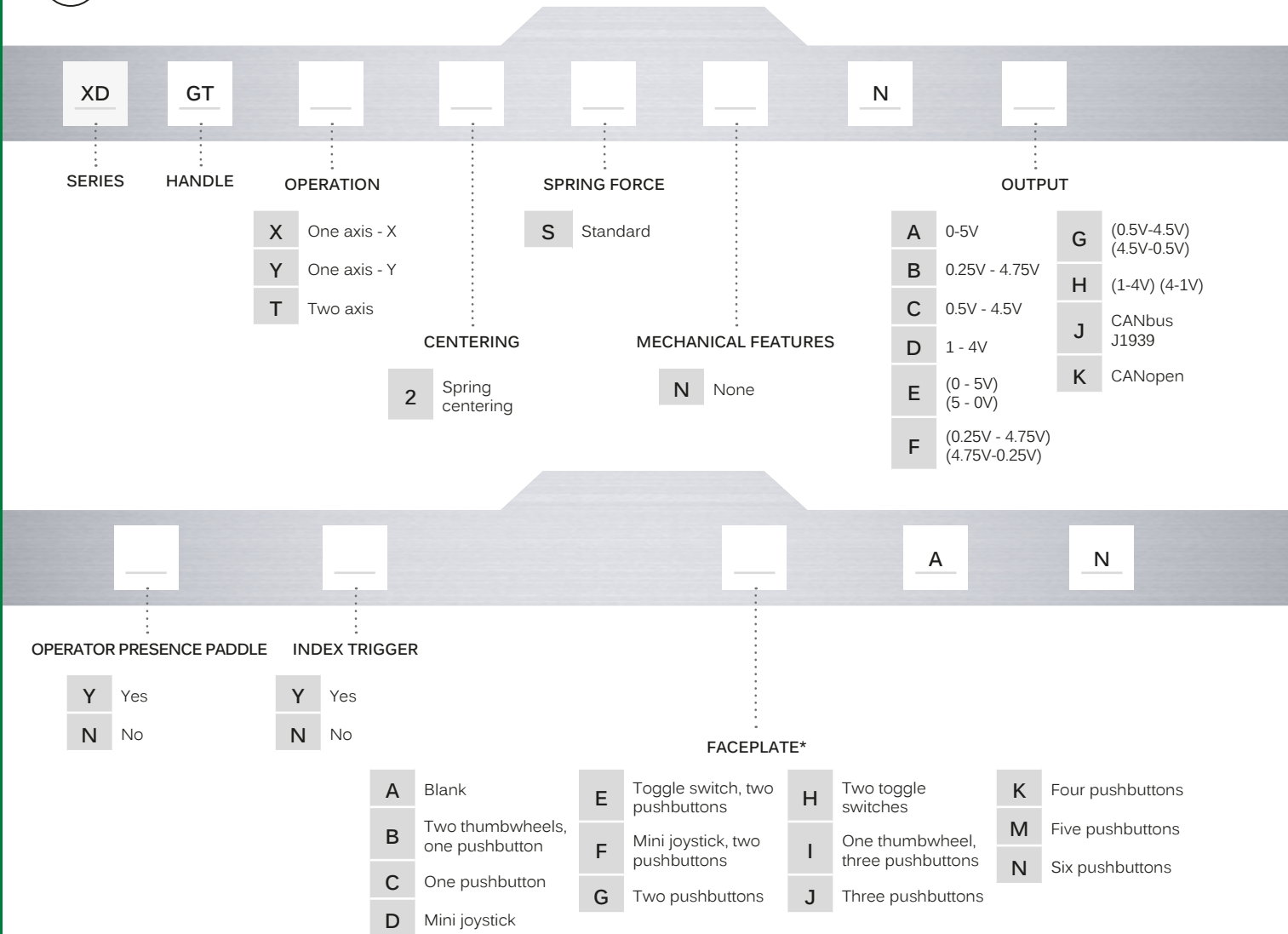
PANEL CUT-OUT



XD series

Proportional, industrial hand grip controllers • non-contacting Hall effect technology

BUILD YOUR PART NUMBER



*See website for faceplate drawings PANEL SWITCHES

DIMENSIONS

